



## Ceramic Singlelayer Feed-Through Capacitors 400V<sub>DC</sub>

**DESIGN:**

Feed-through capacitor, bushing-mount type

**RATED VOLTAGE U<sub>R</sub>:**

400V<sub>DC</sub> (280V<sub>RMS</sub>)

**DIELECTRIC STRENGTH BETWEEN LEADS:**

1250V<sub>DC</sub> 1s

**DISSIPATION FACTOR tan δ:**

Ceramic Class 1: see General Information

Ceramic Class 2: ≤ 25 • 10<sup>-3</sup>

**INSULATION RESISTANCE R<sub>is</sub>:**

Ceramic Class 1: ≥ 1 • 10<sup>10</sup>Ω

Ceramic Class 2: ≥ 5 • 10<sup>9</sup>Ω

**CATEGORY TEMPERATURE RANGE θ<sub>A</sub>:**

Ceramic Class 1: (- 55 to + 125)°C

Ceramic Class 2: (- 25 to + 85)°C

**PERMISSIBLE REACTIVE POWER:**

5.4VAr (Class 2), 100VAr (Class 1B,1F)

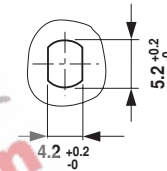
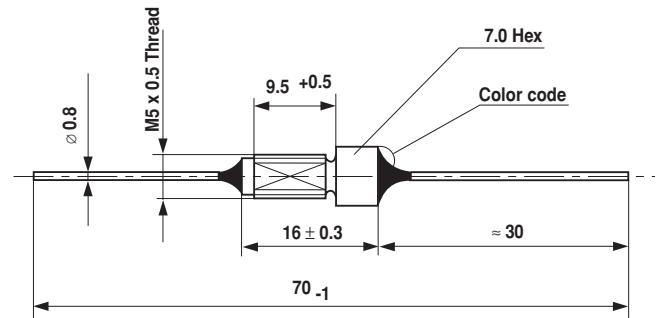
**DIRECT CURRENT I<sub>DC</sub>:**

10A

**MAXIMUM PERMISSIBLE TORQUE:**

0.6 Nm (clearance hole mounting)

0.4 Nm (threaded hole mounting)



• Dimensions in mm

**Recommended Mounting Hole**

**PERMISSIBLE POWER LOSS:**

150mW

**MARKING:**

Capacitance value, Tolerance letter, Ceramic dielectric color code

**MOUNTING HARDWARE:**

A threaded nut (7.0 HEX) is supplied in bulk

CLASS	CERAMIC DIELECTRIC	CAPACITANCE VALUES (pF)	TOLERANCE
1B	P 100	47	± 10%, ± 20%
	N 470	68	
		75	
		100	
1F	N 1500	150	± 20%, - 20 + 50%
		200	
		220	
		240	
		330	
2	R 700	470	- 20 + 50%, - 20 + 80%
		680	
		1000	
		1500	
		2200	
		3300	
	R 2000	4700	
	R 4000		
	R 6000		

• other capacitance values are available on request

**ORDERING INFORMATION**

DDML 0315	400V <sub>DC</sub>	4700pF	- 20 + 80%	R 6000
-----------	--------------------	--------	------------	--------