

Square bridge

Three-Phase Si-Bridge Rectifiers

DB 25-005 ... DB 25-16

Forward Current: 25 A

Reverse Voltage: 50 to 1600 V

Publish Data

Features

- Max. solder temperature: 260 °C, max. 5s
- UL recognized, file no. E63532
- $V_{ISO} > 2500$ V

Mechanical Data

- Plastic case with alu-bottom
- Dimensions: 28,5 28,5 10 mm
- Weight approx. 23 g
- Standard packaging: bulk
- Terminals: plated terminals solderable per IEC 68-2-20
- Mounting position: any
- Admissible torque for mounting (M 5): 2 (± 10%) Nm

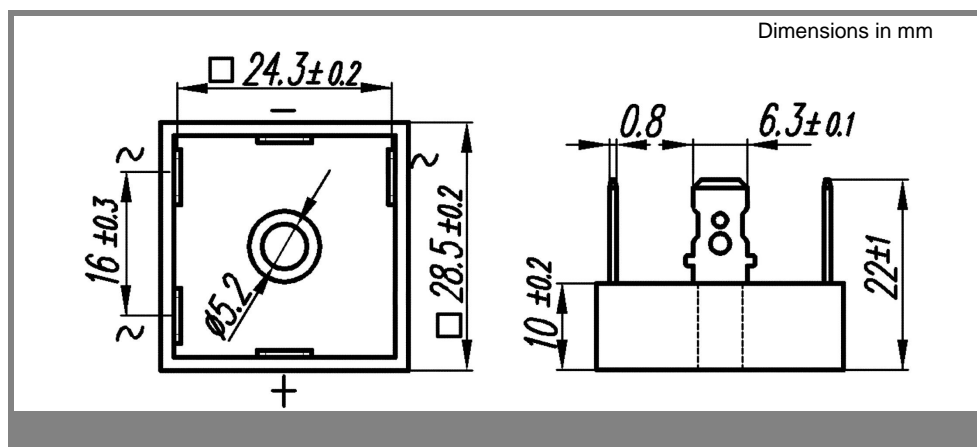
| Type | Alternating input voltage V_{RMS} V | Repetitive peak reverse voltage V_{RRM} V |
|-----------|---|---|
| DB 25-005 | 35 | 50 |
| DB 25-01 | 70 | 100 |
| DB 25-02 | 140 | 200 |
| DB 25-04 | 280 | 400 |
| DB 25-06 | 420 | 600 |
| DB 25-08 | 560 | 800 |
| DB 25-10 | 700 | 1000 |
| DB 25-12 | 800 | 1200 |
| DB 25-14 | 900 | 1400 |
| DB 25-16 | 1000 | 1600 |

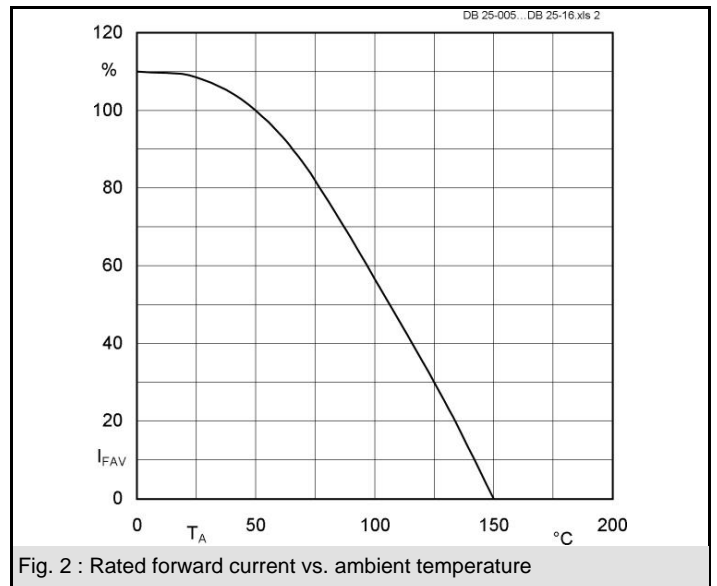
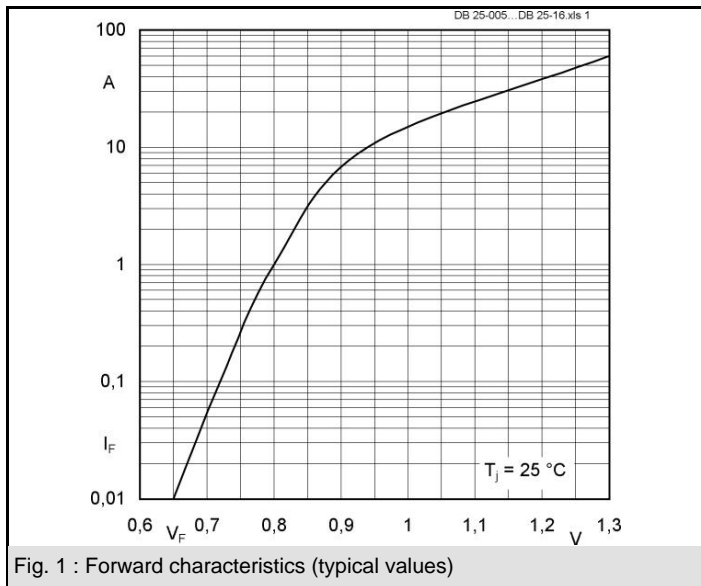
Absolute Maximum Ratings $T_c = 25$ °C unless otherwise specified

| Symbol | Conditions | Values | Units |
|-----------|---|-------------------|------------------|
| I_{FRM} | Repetitive peak forward current; $f > 15$ Hz ¹⁾ | 100 | A |
| I^2t | Rating for fusing, $t < 10$ ms | 600 | A ² s |
| I_{FSM} | Peak forward surge current, 50 Hz half sine-wave $T_A = 25$ °C | 350 | A |
| I_{FAV} | Max. averaged fwd. current, R-load, $T_A = 50$ °C ¹⁾ | not applicable | A |
| I_{FAV} | Max. averaged fwd. current, C-load, $T_A = 50$ °C ¹⁾ | not applicable | A |
| I_{FAV} | Max. current with cooling fin, R-load, $T_c = 100$ °C ²⁾ | 25 | A |
| I_{FAV} | Max. current with cooling fin, C-load, $T_c = 100$ °C ²⁾ | 25 | A |
| R_{thA} | Thermal resistance junction to ambient ¹⁾ | | K/W |
| R_{thC} | Thermal resistance junction to case ¹⁾ | 2,4 | K/W |
| T_j | Operating junction temperature | - 50 ... + 150 °C | °C |
| T_s | Storage temperature | - 50 ... + 150 °C | °C |

Characteristics $T_c = 25$ °C unless otherwise specified

| Symbol | Conditions | Values | Units |
|--------|--|--------|-------|
| V_F | Maximum forward. voltage, $T_j = 25$ °C; $I_F = 12,5$ A | 1,05 | V |
| I_R | Maximum Leakage current, $T_j = 25$ °C; $V_R = V_{RRM}$ | 50 | μA |
| C_j | Typical junction capacitance per leg at V, MHz | | pF |





EEPW 电子产品世界 .com.cn