

## DM54LS240/DM74LS240, DM54LS241/DM74LS241 Octal TRI-STATE® Buffers/Line Drivers/Line Receivers

### General Description

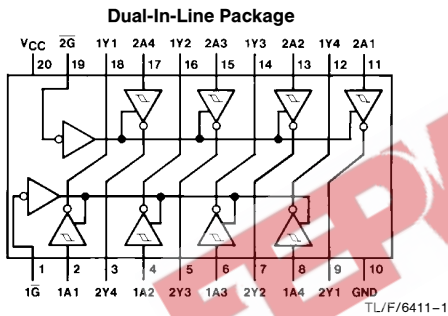
These buffers/line drivers are designed to improve both the performance and PC board density of TRI-STATE buffers/drivers employed as memory-address drivers, clock drivers, and bus-oriented transmitters/receivers. Featuring 400 mV of hysteresis at each low current PNP data line input, they provide improved noise rejection and high fanout outputs and can be used to drive terminated lines down to 133Ω.

### Features

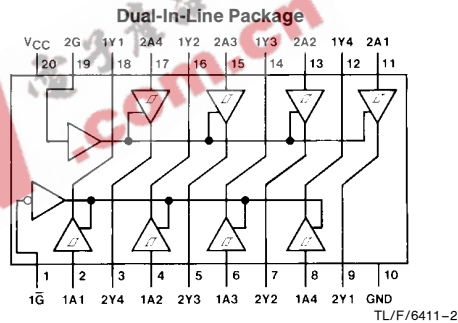
- TRI-STATE outputs drive bus lines directly
- PNP inputs reduce DC loading on bus lines
- Hysteresis at data inputs improves noise margins

- Typical  $I_{OL}$  (sink current)
  - 54LS 12 mA
  - 74LS 24 mA
- Typical  $I_{OH}$  (source current)
  - 54LS -12 mA
  - 74LS -15 mA
- Typical propagation delay times
  - Inverting 10.5 ns
  - Noninverting 12 ns
- Typical enable/disable time 18 ns
- Typical power dissipation (enabled)
  - Inverting 130 mW
  - Noninverting 135 mW

### Connection Diagrams



Order Number **DM54LS240J**,  
**DM54LS240W**, **DM54LS240E**,  
**DM74LS240WM** or **DM74LS240N**  
See NS Package Number **E20A**, **J20A**,  
**M20B**, **N20A** or **W20A**



Order Number **DM54LS241J**,  
**DM54LS241W**, **DM54LS241E**,  
**DM74LS241WM** or **DM74LS241N**  
See NS Package Number **E20A**, **J20A**,  
**M20B**, **N20A** or **W20A**

### Function Tables

LS240

Inputs		Output
$\bar{G}$	A	Y
L	L	H
L	H	L
H	X	Z

LS241

Inputs				Outputs	
G	$\bar{G}$	1A	2A	1Y	2Y
X	L	L	X	L	
X	L	H	X	H	
X	H	X	X	Z	
H	X	X	L		L
H	X	X	H		H
L	X	X	X		Z

L = Low Logic Level  
H = High Logic Level  
X = Either Low or High Logic Level  
Z = High Impedance

## Absolute Maximum Ratings (Note)

If Military/Aerospace specified devices are required, please contact the National Semiconductor Sales Office/Distributors for availability and specifications.

Supply Voltage	7V
Input Voltage	7V
Operating Free Air Temperature Range	
DM54LS, 54LS	-55°C to +125°C
DM74LS	0°C to +70°C
Storage Temperature Range	-65°C to +150°C

Note: The "Absolute Maximum Ratings" are those values beyond which the safety of the device cannot be guaranteed. The device should not be operated at these limits. The parametric values defined in the "Electrical Characteristics" table are not guaranteed at the absolute maximum ratings. The "Recommended Operating Conditions" table will define the conditions for actual device operation.

## Recommended Operating Conditions

Symbol	Parameter	DM54LS240, 241			DM74LS240, 241			Units
		Min	Nom	Max	Min	Nom	Max	
V <sub>CC</sub>	Supply Voltage	4.5	5	5.5	4.75	5	5.25	V
V <sub>IH</sub>	High Level Input Voltage	2			2			V
V <sub>IL</sub>	Low Level Input Voltage			0.7			0.8	V
I <sub>OH</sub>	High Level Output Current			-12			-15	mA
I <sub>OL</sub>	Low Level Output Current			12			24	mA
T <sub>A</sub>	Free Air Operating Temperature	-55		125	0		70	°C

## Electrical Characteristics over recommended operating free air temperature range (unless otherwise noted)

Symbol	Parameter	Conditions	Min	Typ (Note 1)	Max	Units		
V <sub>I</sub>	Input Clamp Voltage	V <sub>CC</sub> = Min, I <sub>I</sub> = -18 mA			-1.5	V		
HYS	Hysteresis (V <sub>T+</sub> - V <sub>T-</sub> ) Data Inputs Only	V <sub>CC</sub> = Min	0.2	0.4		V		
V <sub>OH</sub>	High Level Output Voltage	V <sub>CC</sub> = Min, V <sub>IH</sub> = Min V <sub>IL</sub> = Max, I <sub>OH</sub> = -1 mA	DM74	2.7		V		
		V <sub>CC</sub> = Min, V <sub>IH</sub> = Min V <sub>IL</sub> = Max, I <sub>OH</sub> = -3 mA	DM54/DM74	2.4	3.4			
		V <sub>CC</sub> = Min, V <sub>IH</sub> = Min V <sub>IL</sub> = 0.5V, I <sub>OH</sub> = Max	DM54/DM74	2				
V <sub>OL</sub>	Low Level Output Voltage	V <sub>CC</sub> = Min V <sub>IL</sub> = Max V <sub>IH</sub> = Min	I <sub>OL</sub> = 12 mA	DM74		0.4	V	
			I <sub>OL</sub> = Max	DM54		0.4		
				DM74		0.5		
I <sub>OZH</sub>	Off-State Output Current, High Level Voltage Applied	V <sub>CC</sub> = Max V <sub>IL</sub> = Max V <sub>IH</sub> = Min				20	μA	
I <sub>OZL</sub>	Off-State Output Current, Low Level Voltage Applied					-20	μA	
I <sub>I</sub>	Input Current at Maximum Input Voltage	V <sub>CC</sub> = Max, V <sub>I</sub> = 7V (DM74) V <sub>I</sub> = 10V (DM54)				0.1	mA	
I <sub>IH</sub>	High Level Input Current	V <sub>CC</sub> = Max, V <sub>I</sub> = 2.7V				20	μA	
I <sub>IL</sub>	Low Level Input Current	V <sub>CC</sub> = Max, V <sub>I</sub> = 0.4V				-0.2	mA	
I <sub>OS</sub>	Short Circuit Output Current	V <sub>CC</sub> = Max (Note 2)			-40		-225	mA
I <sub>CC</sub>	Supply Current	V <sub>CC</sub> = Max, Outputs Open	Outputs High	LS240, LS241	13	23	mA	
			Outputs Low	LS240		26		44
				LS241		27		46
			Outputs Disabled	LS240		29		50
				LS241		32		54

Note 1: All typicals are at V<sub>CC</sub> = 5V, T<sub>A</sub> = 25°C.

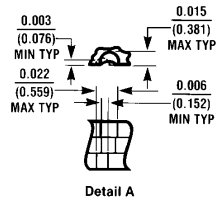
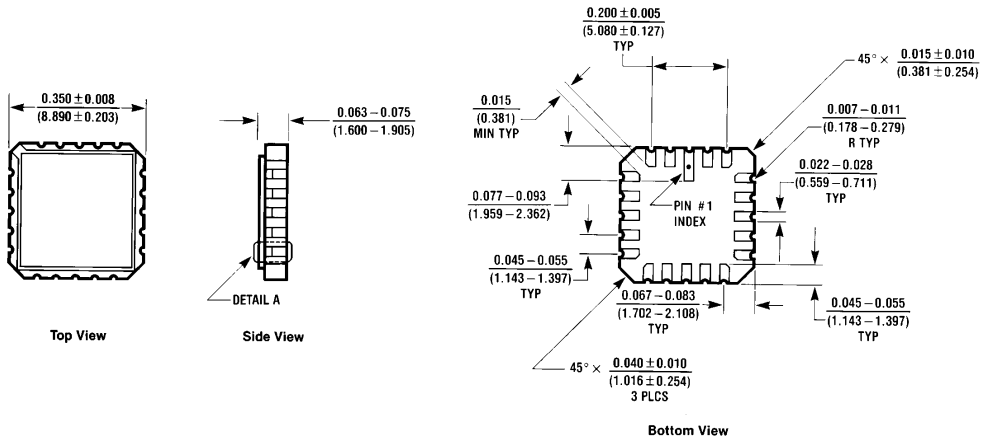
Note 2: Not more than one output should be shorted at a time, and the duration should not exceed one second.

### Switching Characteristics at $V_{CC} = 5V$ and $T_A = 25^\circ C$

Symbol	Parameter	Conditions	DM54LS	DM74LS	Units	
			Max	Max		
$t_{PLH}$	Propagation Delay Time Low to High Level Output	$C_L = 45\text{ pF}$ $R_L = 667\Omega$	LS240	18	14	ns
			LS241	18	18	
$t_{PHL}$	Propagation Delay Time High to Low Level Output	$C_L = 45\text{ pF}$ $R_L = 667\Omega$	LS240	18	18	ns
			LS241	18	18	
$t_{PZL}$	Output Enable Time to Low Level	$C_L = 45\text{ pF}$ $R_L = 667\Omega$	LS240	30	30	ns
			LS241	30	30	
$t_{PZH}$	Output Enable Time to High Level	$C_L = 45\text{ pF}$ $R_L = 667\Omega$	LS240	23	23	ns
			LS241	23	23	
$t_{PLZ}$	Output Disable Time from Low Level	$C_L = 5\text{ pF}$ $R_L = 667\Omega$	LS240	25	25	ns
			LS241	25	25	
$t_{PHZ}$	Output Disable Time from High Level	$C_L = 5\text{ pF}$ $R_L = 667\Omega$	LS240	18	18	ns
			LS241	18	18	
$t_{PLH}$	Propagation Delay Time Low to High Level Output	$C_L = 150\text{ pF}$ $R_L = 667\Omega$	LS240		18	ns
			LS241		21	
$t_{PHL}$	Propagation Delay Time High to Low Level Output	$C_L = 150\text{ pF}$ $R_L = 667\Omega$	LS240		22	ns
			LS241		22	
$t_{PZL}$	Output Enable Time to Low Level	$C_L = 150\text{ pF}$ $R_L = 667\Omega$	LS240		33	ns
			LS241		33	
$t_{PZH}$	Output Enable Time to High Level	$C_L = 150\text{ pF}$ $R_L = 667\Omega$	LS240		26	ns
			LS241		26	

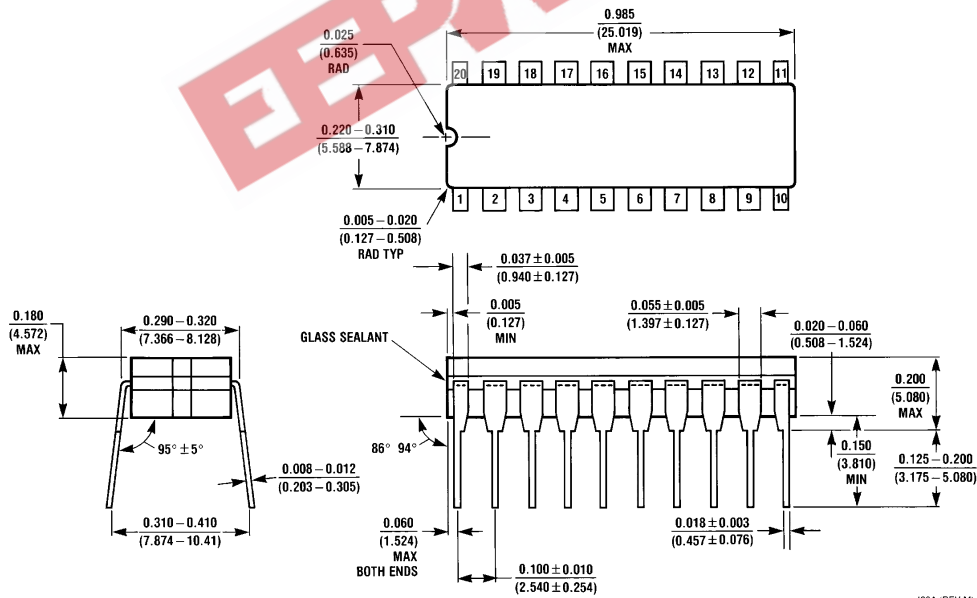
Note: 54LS Output load is  $C_L = 50\text{ pF}$  for  $t_{PLH}$ ,  $t_{PHL}$ ,  $t_{PZL}$  and  $t_{PZH}$ .

# Physical Dimensions inches (millimeters)



**Ceramic Leadless Chip Carrier Package (E)**  
 Order Number DM54LS240E or DM54LS241E  
 NS Package Number E20A

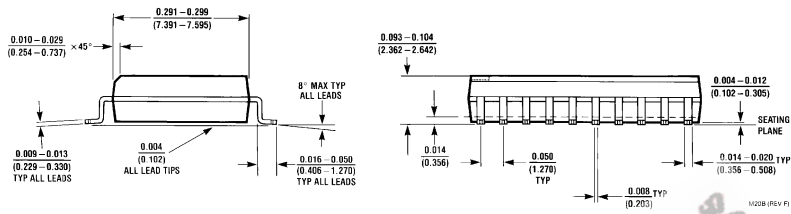
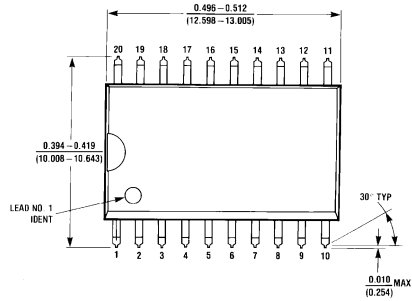
E20A (REV D)



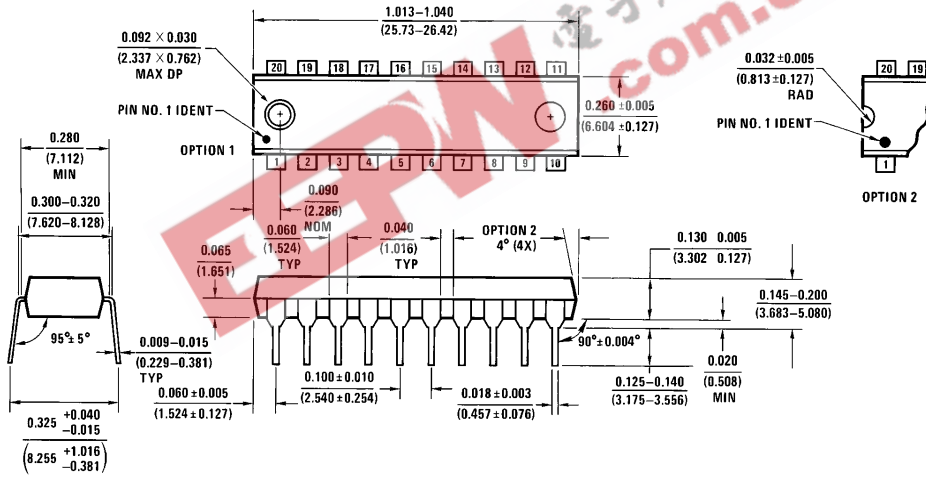
**20-Lead Ceramic Dual-In-Line Package (J)**  
 Order Number DM54LS240J or DM54LS241J  
 NS Package Number J20A

J20A (REV M)

**Physical Dimensions** inches (millimeters) (Continued)



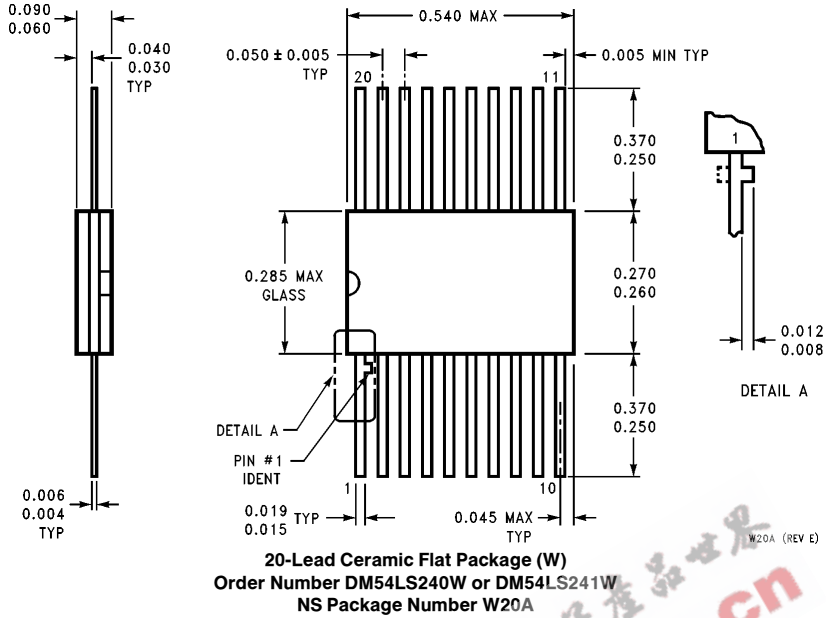
**20-Lead Wide Small Outline Molded Package (M)**  
**Order Number DM74LS240WM or DM74LS241WM**  
**NS Package Number M20B**



**20-Lead Molded Dual-In-Line Package (N)**  
**Order Number DM74LS240N or DM74LS241N**  
**NS Package Number N20A**

**DM54LS240/DM74LS240, DM54LS241/DM74LS241  
Octal TRI-STATE Buffers/Line Drivers/Line Receivers**

**Physical Dimensions** inches (millimeters) (Continued)



**LIFE SUPPORT POLICY**

NATIONAL'S PRODUCTS ARE NOT AUTHORIZED FOR USE AS CRITICAL COMPONENTS IN LIFE SUPPORT DEVICES OR SYSTEMS WITHOUT THE EXPRESS WRITTEN APPROVAL OF THE PRESIDENT OF NATIONAL SEMICONDUCTOR CORPORATION. As used herein:

1. Life support devices or systems are devices or systems which, (a) are intended for surgical implant into the body, or (b) support or sustain life, and whose failure to perform, when properly used in accordance with instructions for use provided in the labeling, can be reasonably expected to result in a significant injury to the user.
2. A critical component is any component of a life support device or system whose failure to perform can be reasonably expected to cause the failure of the life support device or system, or to affect its safety or effectiveness.



**National Semiconductor Corporation**  
 1111 West Bardin Road  
 Arlington, TX 76017  
 Tel: 1(800) 272-9959  
 Fax: 1(800) 737-7018

**National Semiconductor Europe**  
 Fax: (+49) 0-180-530 85 86  
 Email: cnjwge@levm2.nsc.com  
 Deutsch Tel: (+49) 0-180-530 85 85  
 English Tel: (+49) 0-180-532 78 32  
 Français Tel: (+49) 0-180-532 93 58  
 Italiano Tel: (+49) 0-180-534 16 80

**National Semiconductor Hong Kong Ltd.**  
 13th Floor, Straight Block,  
 Ocean Centre, 5 Canton Rd.  
 Tsimshatsui, Kowloon  
 Hong Kong  
 Tel: (852) 2737-1600  
 Fax: (852) 2736-9960

**National Semiconductor Japan Ltd.**  
 Tel: 81-043-299-2309  
 Fax: 81-043-299-2408