

EEPW 电子产品世界
.com.cn

EEPW 电子产品世界
.com.cn

STU/D2640NL

EEPW 电子产品世界
.com.cn

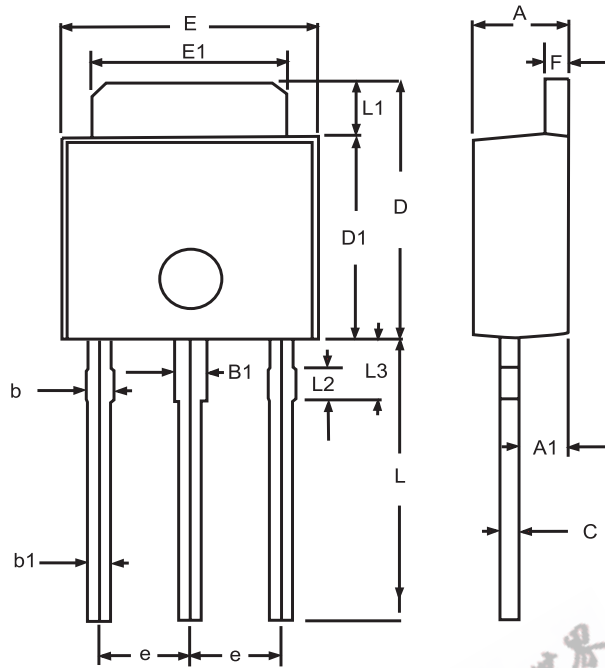
EEPW 电子产品世界
.com.cn

EEPW 电子产品世界
.com.cn

STU/D2640NL

PACKAGE OUTLINE DIMENSIONS

TO-251

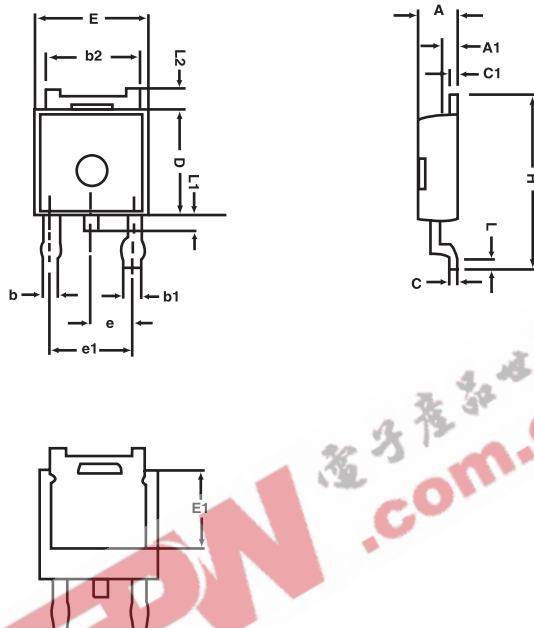


| SYMBOLS | MILLIMETERS | | INCHES | |
|---------|-------------|-------|--------|-------|
| | MIN | MAX | MIN | MAX |
| A | 2.20 | 2.40 | 0.087 | 0.095 |
| A1 | 1.100 | 1.300 | 0.043 | 0.051 |
| B1 | 0.650 | 1.050 | 0.026 | 0.041 |
| b | 0.500 | 0.900 | 0.020 | 0.035 |
| b1 | 0.400 | 0.800 | 0.016 | 0.32 |
| C | 0.400 | 0.600 | 0.016 | 0.024 |
| D | 6.700 | 7.300 | 0.264 | 0.287 |
| D1 | 5.400 | 5.650 | 0.213 | 0.222 |
| E | 6.40 | 6.650 | 0.252 | 0.262 |
| e | 2.100 | 2.500 | 0.083 | 0.098 |
| F | 0.400 | 0.600 | 0.016 | 0.024 |
| L | 7.000 | 8.000 | 0.276 | 0.315 |
| L1 | 1.300 | 1.700 | 0.051 | 0.067 |
| L2 | 0.700 | 0.900 | 0.028 | 0.035 |
| L3 | 1.400 | 1.800 | 0.055 | 0.071 |

STU/D2640NL

PACKAGE OUTLINE DIMENSIONS

TO-252

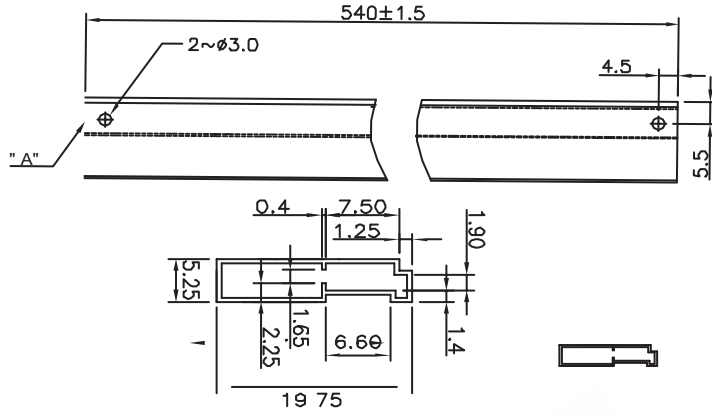


| SYMBOLS | MILLIMETERS | | INCHES | |
|---------|-------------|-------|--------|-------|
| | MIN | MAX | MIN | MAX |
| A | 2.25 | 2.35 | 0.089 | 0.093 |
| A1 | 0.95 | 1.05 | 0.037 | 0.041 |
| b | 0.77 | 0.85 | 0.030 | 0.033 |
| b1 | 0.84 | 0.94 | 0.033 | 0.037 |
| b2 | 5.30 | 5.45 | 0.209 | 0.215 |
| C | 0.49 | 0.53 | 0.019 | 0.021 |
| D | 6.00 | 6.20 | 0.236 | 0.244 |
| E | 6.40 | 6.60 | 0.252 | 0.260 |
| E1 | 3.18 | 3.67 | 0.125 | 0.145 |
| e | 2.29 | BSC | 0.090 | BSC |
| H | 9.70 | 10.10 | 0.382 | 0.398 |
| L | 1.425 | 1.625 | 0.056 | 0.064 |
| L1 | 0.650 | 0.850 | 0.026 | 0.033 |
| L2 | 0.600 | REF. | 0.024 | REF. |

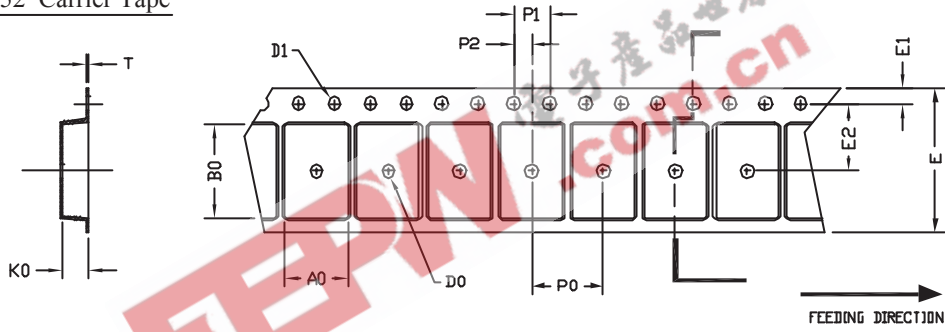
STU/D2640NL

TO251 Tube/TO-252 Tape and Reel Data

TO-251 Tube



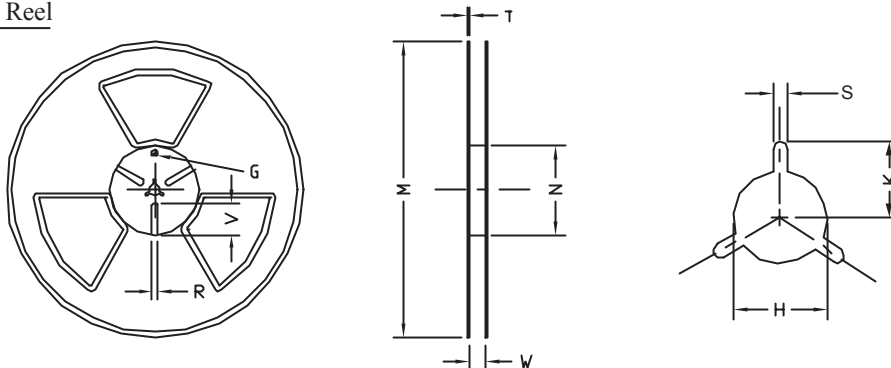
TO-252 Carrier Tape



UNIT:mm

| PACKAGE | A0 | B0 | K0 | D0 | D1 | E | E1 | E2 | P0 | P1 | P2 | T |
|-------------------|--------------|--------------|--------------|-----|----------------------|--------------|--------------|--------------|-------------|-------------|--------------|--------------|
| TO-252 (16 mm) | 6.80 ±0.1 | 10.3 ±0.1 | 2.50 ±0.1 | φ 2 | φ 1.5 +0.1 - 0 | 16.0 0.3± | 1.75 0.1± | 7.5 ±0.15 | 8.0 ±0.1 | 4.0 ±0.1 | 2.0 ±0.15 | 0.3 ±0.05 |

TO-252 Reel



UNIT:mm

| TAPE SIZE | REEL SIZE | M | N | W | T | H | K | S | G | R | V |
|-----------|-----------|----------------|---------------|----------------------|-----|--------------------------|------|-------------|-----|-----|-----|
| 16 mm | φ 330 | φ 330 ± 0.5 | φ 97 ± 1.0 | 17.0 + 1.5 - 0 | 2.2 | φ 13.0 + 0.5 - 0.2 | 10.6 | 2.0 ±0.5 | --- | --- | --- |