



Data Sheet

FasTrak Mini E-Grade Family

DC-DC Converter Module

Features

- Input voltages: 24, 48, 300 & 375 V
- DC outputs: 3.3 V – 48 V
- Programmable output: 10 to 110%
- Regulation: $\pm 0.5\%$ no load to full load
- Efficiency: Up to 88%
- Max operating temp: 100°C, full load
- Power Density: Up to 120 W/cubic Inch
- Parallelable, with N+M fault tolerance
- Low noise ZCS/ZVS architecture

Product Overview

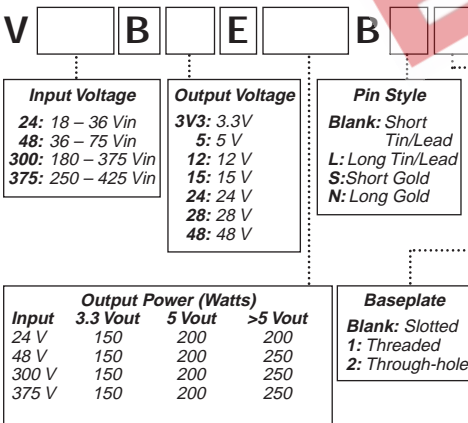
These DC-DC converter modules use advanced power processing, control and packaging technologies to provide the performance, flexibility, reliability and cost effectiveness of a mature power component. High frequency ZCS/ZVS switching provide high power density with low noise and high efficiency.

Applications

Off-line systems with autoranging or PFC front-ends, industrial and process control, distributed power, medical, ATE, communications, defense, aerospace

Part Numbering

e.g. V300B12E250BL2



Shown actual size:
 2.28 x 2.2 x 0.5 in
 57,9 x 55,9 x 12,7 mm

Absolute Maximum Ratings

| Parameter | Rating | Unit | Notes |
|---------------------------------|--------------|--------------|----------------------|
| +In to –In voltage | | | |
| 24 Vin | -0.5 to +36 | Vdc | |
| 48 Vin | -0.5 to +75 | Vdc | |
| 300 Vin | -0.5 to +375 | Vdc | |
| 375 Vin | -0.5 to +425 | Vdc | |
| PC to –In voltage | -0.5 to +7.0 | Vdc | |
| PR to –In voltage | -0.5 to +7.0 | Vdc | |
| SC to –Out voltage | -0.5 to +1.5 | Vdc | |
| –Sense to –Out voltage | 1.0 | Vdc | |
| Isolation voltage (in to out) | 3000 | Vrms | |
| Isolation voltage (in to base) | 1550 | Vrms | |
| Isolation voltage (out to base) | 500 | Vrms | |
| Operating temperature | -10 to +100 | °C | |
| Storage temperature | -20 to +125 | °C | |
| Pin soldering temperature | 500 (260) | °F (°C) | <5 sec; wave solder |
| Pin soldering temperature | 750 (390) | °F (°C) | <7 sec; hand solder |
| Mounting torque | 5 (0.57) | in-lbs (N-m) | 6 each, # 4-40 or M3 |

Thermal Resistance and Capacity

| Parameter | Min | Typ | Max | Unit |
|--|-----|------|-----|-------------|
| Baseplate to sink; flat, greased surface | | 0.16 | | °C/Watt |
| Baseplate to sink; thermal pad (P/N 20263) | | 0.14 | | °C/Watt |
| Baseplate to ambient | | 8.0 | | °C/Watt |
| Baseplate to ambient; 1000 LFM | | 1.9 | | °C/Watt |
| Thermal capacity | | 83 | | Watt-sec/°C |

For a description of pin options, see page 6. Baseplate options include slotted flanges, threaded and through-hole. See page 7 for dimensions. For other package sizes and power levels, see the FasTrak Maxi (full size) and FasTrak Micro (quarter size) datasheets

ELECTRICAL CHARACTERISTICS

Electrical characteristics apply over the full operating range of input voltage, output load (resistive) and baseplate temperature, unless otherwise specified. All temperatures refer to the operating temperature at the center of the baseplate.

MODULE OPERATING SPECIFICATIONS

| Parameter | Min | Typ | Max | Surge Withstand | Unit | Notes |
|-------------------------|-----|-----|-----|-----------------|------|--------------------------------|
| Input voltage | | | | | | |
| 24 Vin | 18 | 24 | 36 | 50 | Vdc | <100 ms surge withstand |
| 48 Vin | 36 | 48 | 75 | 100 | Vdc | |
| 300 Vin | 180 | 300 | 375 | 400 | Vdc | |
| 375 Vin | 250 | 375 | 425 | 500 | Vdc | |
| Output voltage setpoint | | | ±1 | | % | Nominal input; full load; 25°C |

MODULE OUTPUT VOLTAGE RELATED SPECIFICATIONS

| Parameter | 3.3V | 5V | 12V | 15V | 24V | 28V | 48V | Unit | Notes |
|------------------------------|------|------|------|------|------|------|------|---------|---|
| Efficiency (typ.) | 80.0 | 83.5 | 85.5 | 87.0 | 88.0 | 89.0 | 90.0 | % | Nominal input; 80% load; 25°C |
| Ripple and noise, p-p (typ.) | 60 | 70 | 130 | 90 | 80 | 65 | 50 | mV | Nominal input; full load; 25°C; 20 MHz BW |
| Output OVP setpoint (nom.) | 4.3 | 6.3 | 14.3 | 17.8 | 28.1 | 32.7 | 55.7 | Volts | 25°C; recycle input voltage to restart (1 minute off) |
| Dissipation, standby (typ.) | 5.6 | 6.2 | 8.0 | 8.0 | 6.0 | 7.4 | 8.5 | Watts | No load; nominal input |
| Load regulation (max.) | 0.5 | 0.5 | 0.5 | 0.5 | 0.5 | 0.5 | 0.5 | ±% Vout | No load to full load; nominal input |
| Current limit (typ.) | 125 | 125 | 125 | 125 | 125 | 125 | 125 | % Iout | Output voltage 95% of nominal |
| Short circuit current (typ.) | 125 | 125 | 125 | 125 | 125 | 125 | 125 | % Iout | Output voltage <250 mV |

MODULE INPUT SPECIFICATIONS

| Parameter | 24 Vin | 48 Vin | 300 Vin | 375 Vin | Units | Notes |
|-------------------------|--------|--------|---------|---------|-------|---------------|
| Undervoltage turn-on | 17.5 | 34.9 | 175 | 243 | Vdc | Typical value |
| Undervoltage turn-off | 15.3 | 30.5 | 153 | 212 | Vdc | Typical value |
| Overvoltage turn-off/on | 37.8 | 78.8 | N/A | 446 | Vdc | Typical value |

Note: 300 Vin models do not have overvoltage turn-off.

MODULE OUTPUT SPECIFICATIONS

| Parameter | Min | Typ | Max | Unit | Notes |
|------------------------|-----|--------|-----|--------|---|
| Line regulation | | ±0.5 | | % | Low line to high line; full load |
| Temperature regulation | | ±0.005 | | % / °C | Over operating temperature range |
| Power sharing accuracy | | ±5 | | % | 10 to 100% of full load |
| Programming range | 10 | | 110 | % | Of nominal output voltage. For trimming below 90% of nominal, a minimum load of 10% of maximum rated power may be required. |

Note: For important information relative to applications where the converter modules are subject to continuous dynamic loading, contact Vicor applications engineering at 800-927-9474.

ELECTRICAL CHARACTERISTICS, continued

MODULE CONTROL SPECIFICATIONS

| Parameter | Min | Typ | Max | Unit | Notes |
|---|------|-------|------|---------|--|
| PRIMARY SIDE (PC = Primary Control; PR = Parallel) | | | | | |
| PC bias voltage | 5.50 | 5.75 | 6.00 | Vdc | PC current = 1.0 mA |
| current limit | 1.5 | 2.1 | 3.0 | mA | PC voltage = 5.5V |
| PC module disable | 2.3 | 2.6 | 2.9 | Vdc | Must be able to sink ≥ 4 mA. See Fig. 1 |
| PC module enable delay | | 4 | 7 | ms | |
| PC module alarm | | | 0.5 | Vavg | UV, OV, OT, module fault. See Figs. 2 and 4 |
| PR emitter amplitude | 5.7 | 5.9 | 6.1 | Volts | PR load >30 ohms, < 30 pF |
| PR emitter current | 150 | | | mA | |
| PR receiver impedance | 375 | 500 | 625 | ohms | 25°C |
| PR receiver threshold | 2.4 | 2.5 | 2.6 | Volts | Minimum pulse width: 20ns |
| PR drive capability | | | 12 | modules | Without PR buffer amplifier |
| SECONDARY SIDE (SC = Secondary Control) | | | | | |
| SC bandgap voltage | 1.21 | 1.23 | 1.25 | Vdc | Referenced to -Sense |
| SC resistance | 990 | 1000 | 1010 | ohms | |
| SC capacitance | | 0.033 | | μ F | |
| SC module alarm | | 0 | | Vdc | With open trim; referenced to -Sense. See Fig. 6 |

MODULE GENERAL SPECIFICATIONS

| Parameter | Min | Typ | Max | Unit | Notes |
|----------------------------------|------|----------------|---------|----------------|---|
| Remote sense (total drop) | | | 0.5 | Vdc | 0.25V per leg (senses must be closed) |
| Isolation voltage (in to out) | 3000 | | | Vrms | Complies with reinforced insulation requirements |
| Isolation voltage (in to base) | 1550 | | | Vrms | Complies with basic insulation requirements |
| Isolation voltage (out to base) | 500 | | | Vrms | Complies with operational insulation requirements |
| Isolation resistance (in to out) | | 10 | | megohms | |
| Weight | | 3.7 (104) | 4 (112) | ounces (grams) | |
| Temperature limiting | 100 | 115 | | °C | See Figs. 2 and 4 |
| Agency Approvals | | cULus, TÜV, CE | | | UL60950, CSA0950, EN60950, IEC60950. With a fuse in series with the +Input |

Note:

Specifications are subject to change without notice.

The latest data sheets for individual models are available on the Vicor website at vicorpower.com.

CONTROL FUNCTIONS - PC PIN

Module Enable/Disable

The module may be disabled by pulling PC below 2.3V with respect to the -Input. This may be done with an open collector transistor, relay, or optocoupler. Multiple converters may be disabled with a single transistor or relay either directly or via "OR'ing" diodes. See Figure 1.

Primary Auxiliary Supply

At 5.7V, PC can source up to 1.5mA. In the example shown in Figure 3, PC powers a module enabled LED.

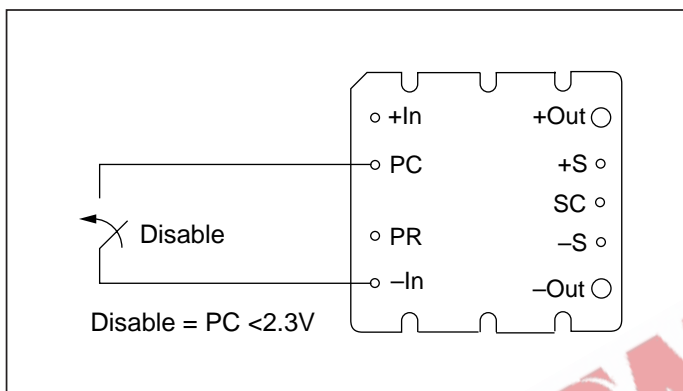


Figure 1—Module enable/disable.

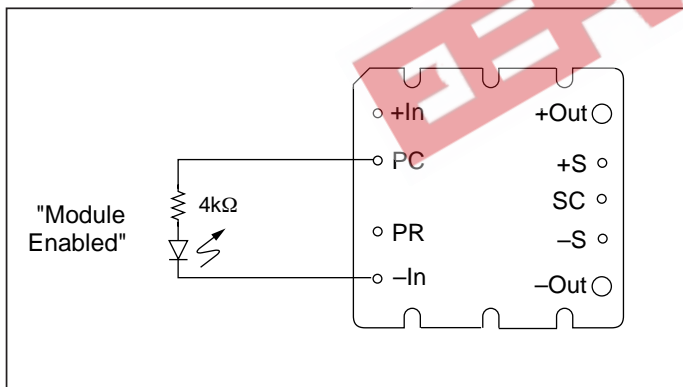


Figure 3—LED on-state indicator.

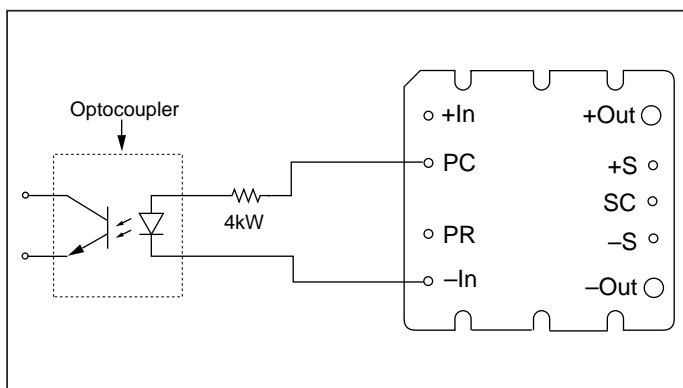


Figure 5—Isolated on-state indicator.

Module Alarm

The module contains "watchdog" circuitry which monitors input voltage, operating temperature and internal operating parameters. In the event that any of these parameters are outside of their allowable operating range, the module will shut down and PC will go low. PC will periodically go high and the module will check to see if the fault (as an example, overtemperature) has cleared. If the fault has not been cleared, PC will go low again and the cycle will restart. The SC pin will go low in the event of a fault and return to its normal state after the fault has been cleared. See Figures 2 and 4.

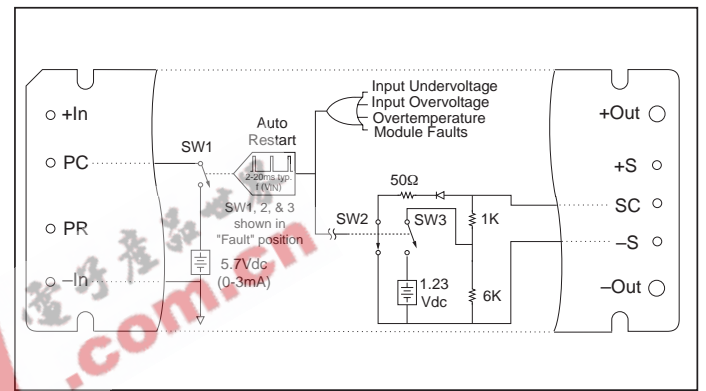


Figure 2—PC/SC module alarm logic.

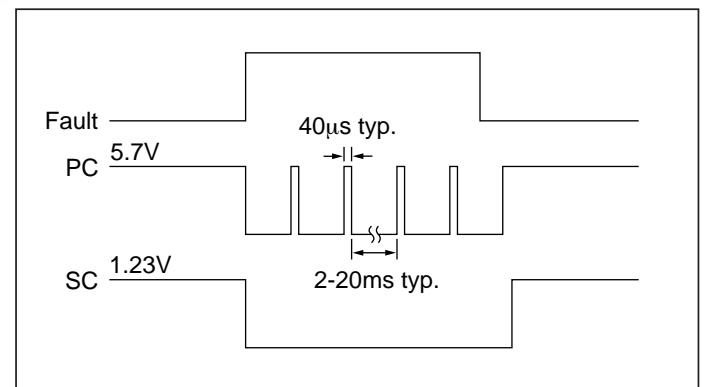


Figure 4—PC/SC module alarm timing.

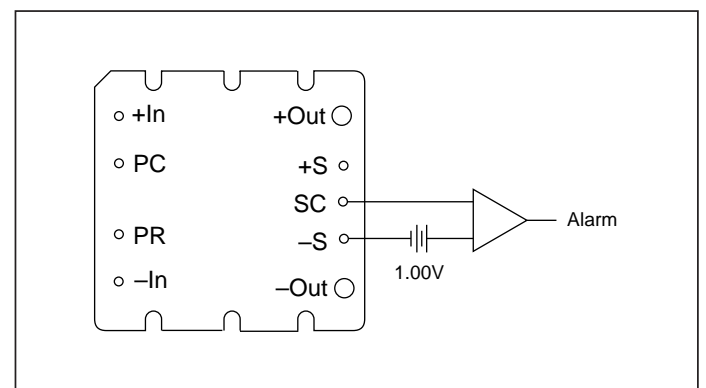


Figure 6—Secondary side on-state indicator.

CONTROL FUNCTIONS - SC PIN

Output Voltage Programming

The output voltage of the converter can be adjusted or programmed via fixed resistors, potentiometers or voltage DACs. See Figures 7 and 8.

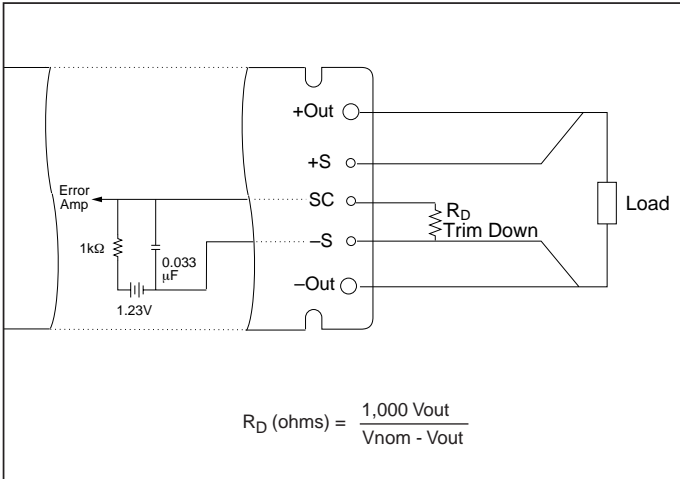


Figure 7—Output voltage trim down circuit.

Trim Down

1. This converter is not a constant power device – it has a constant current limit. Hence, available output power is reduced by the same percentage that output voltage is trimmed down. Do not exceed maximum rated output current.
2. The trim down resistor must be connected to the –Sense pin.

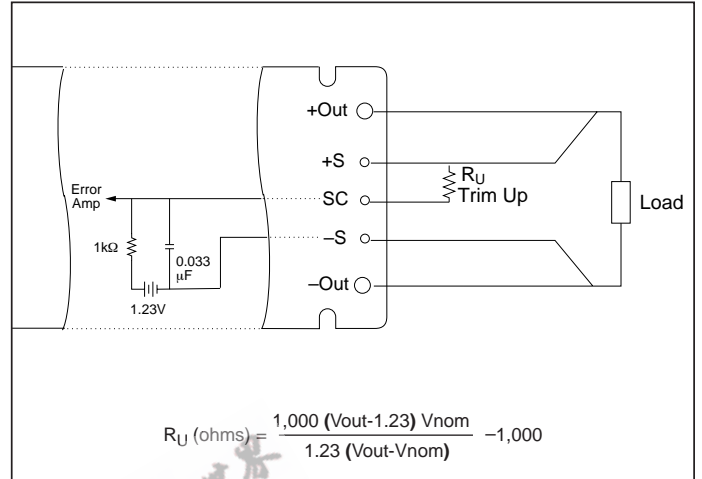


Figure 8—Output voltage trim up circuit.

Trim Up

1. The converter is rated for a maximum delivered power. To ensure that maximum rated power is not exceeded, reduce maximum output current by the same percentage increase in output voltage.
2. The trim up resistor must be connected to the +Sense pin.
3. Do not trim the converter above maximum trim range (typically +10%) or the output over voltage protection circuitry may be activated.



Trim resistor values calculated automatically:

On-line calculators for trim resistor values are available on the vicor website at: vicorpower.com/tools.html.

Resistor values can be calculated for fixed trim up, fixed trim down and for variable trim up or down cases for both 1st and 2nd Generation DC-DC converters.

In addition to trimming information, the web site and the Applications Manual also include design tips, applications circuits, EMC suggestions, thermal design guidelines and PDF data sheets for all available Vicor products.

CONTROL FUNCTIONS - PR PIN

Parallel Operation

The PR pin supports paralleling for increased power with N+1 (N+M) redundancy and phased array capability. Modules of the same input voltage, output voltage, and power level will current share if all PR pins are suitably interfaced.

Compatible interface architectures include the following:

DC coupled single-wire interface. All PR pins are directly connected to one another. This interface supports current

sharing but is not fault tolerant. Minus In pins must be tied to the same electric potential. See Figure 9.

AC coupled single-wire interface. All PR pins are connected to a single communication bus through 0.001 μ F (500V) capacitors. This interface supports current sharing and is fault tolerant except for the communication bus. See Figure 10.

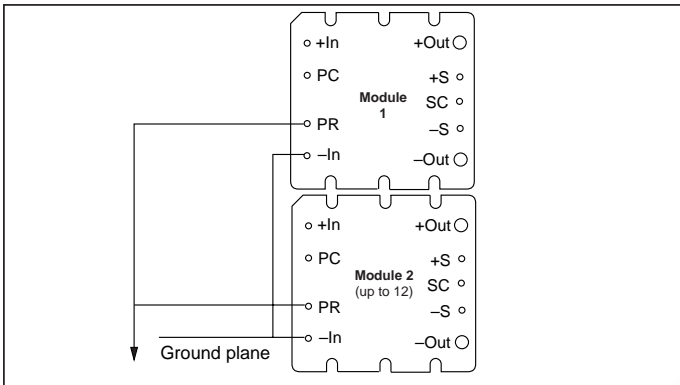


Figure 9—DC coupled single-wire interface.

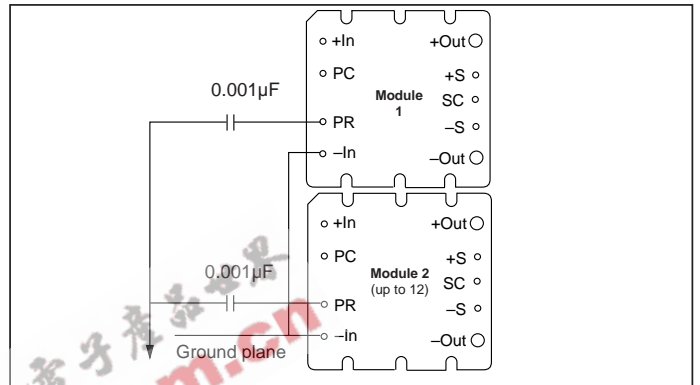


Figure 10—AC coupled single-wire interface.

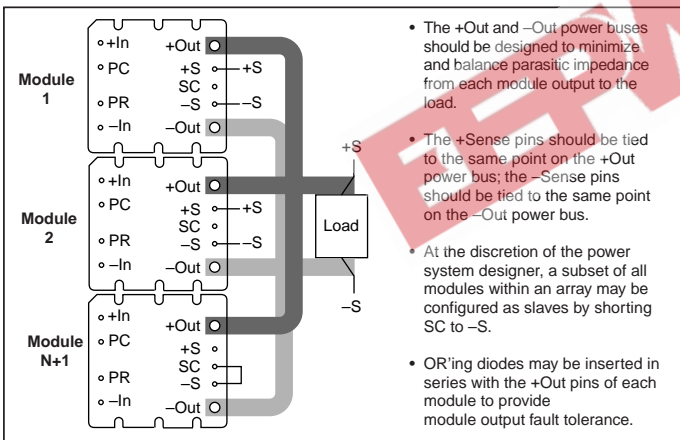


Figure 11—N+1 module array output connections.

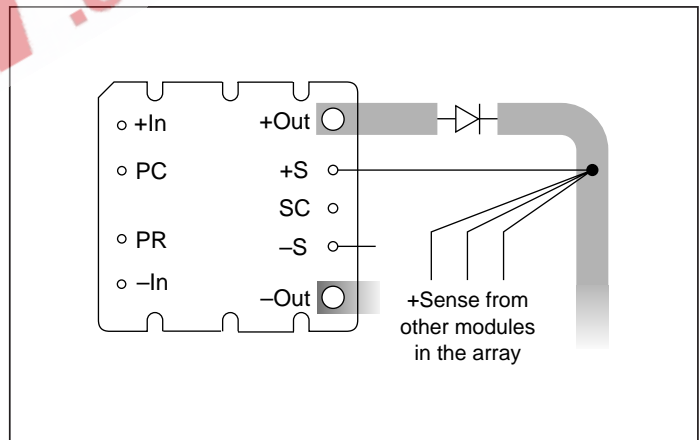


Figure 12—OR'ing diodes connections.

PIN STYLES *

| Designator | Description | Notes |
|------------|----------------|---|
| (None) | Short solder | Requires in-board, mounting |
| L | Long solder | On-board mounting for 0.065" boards |
| S | Short ModuMate | SurfMate or in-board socket mounting – RoHS compliant |
| N | Long ModuMate | On-board socket mounting – RoHS compliant |

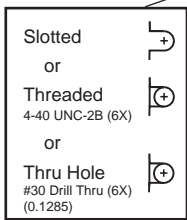
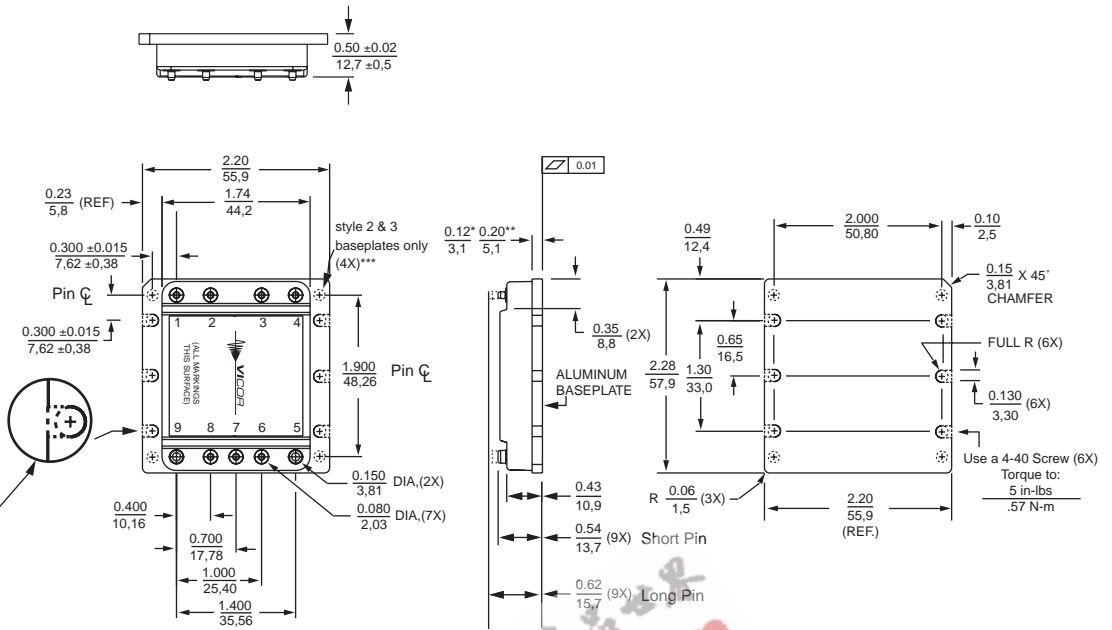
* Pin style designator follows the “B” after the output power and precedes the baseplate designator.

Ex. V375A24C600BN – Long ModuMate Pins

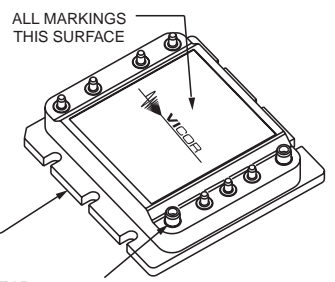
MECHANICAL DRAWINGS

MODULE OUTLINE

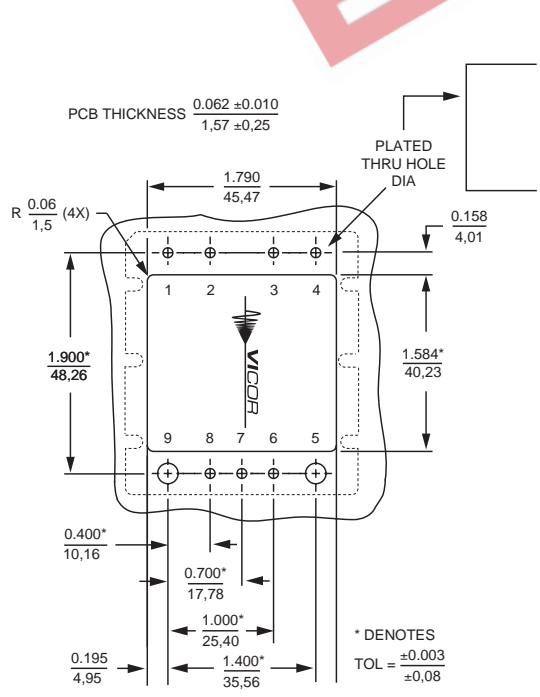
| Converter Pins | | |
|----------------|-------------------|-------|
| No. | Function | Label |
| 1 | +In | + |
| 2 | Primary Control | PC |
| 3 | Parallel | PR |
| 4 | -In | - |
| 5 | -Out | - |
| 6 | -Sense | -S |
| 7 | Secondary Control | SC |
| 8 | +Sense | +S |
| 9 | +Out | + |



* Style 1 baseplate only
** Style 2 & 3 baseplates
*** Reserved for Vicor accessories. **Not for mounting**
C Center line



PCB MOUNTING SPECIFICATIONS



| | INBOARD SOLDER MOUNT | ONBOARD SOLDER MOUNT |
|----------------------|---|---|
| SHORT PIN STYLE (7X) | $\frac{0.094 \pm 0.003}{2.39 \pm 0.08}$ | $\frac{0.094 \pm 0.003}{2.39 \pm 0.08}$ |
| (2X) | $\frac{0.164 \pm 0.003}{4.16 \pm 0.08}$ | $\frac{0.164 \pm 0.003}{4.16 \pm 0.08}$ |
| | 0.43 10.9 | 0.53 13.5 |

ALUMINUM BASEPLATE

PINS STYLES
SOLDER:TIN/LEAD
HOT SOLDER DIPPED
MODUMATE: GOLD PLATED COPPER

| Unless otherwise specified, dimensions are in inches/mm | | |
|---|------------------|--------|
| Decimals | Tol. | Angles |
| 0.XX | ±0.01 ±0.25 | ±1° |
| 0.XXX | ±0.005 ±0.127 | |

Vicor's comprehensive line of power solutions includes modular, high density DC-DC converters and accessory components, configurable power supplies, and custom power systems.

Information furnished by Vicor is believed to be accurate and reliable. However, no responsibility is assumed by Vicor for its use. No license is granted by implication or otherwise under any patent or patent rights of Vicor. Vicor components are not designed to be used in applications, such as life support systems, wherein a failure or malfunction could result in injury or death. All sales are subject to Vicor's Terms and Conditions of Sale, which are available upon request.

Specifications are subject to change without notice.



*Component Solutions
for Your Power System*

Vicor Corporation
25 Frontage Road
Andover, MA, USA 01810
Tel: 800-735-6200
978-470-2900
Fax: 978-475-6715

Email

Vicor Express: vicorexp@vicor.com
Technical Support: apps@vicor.com