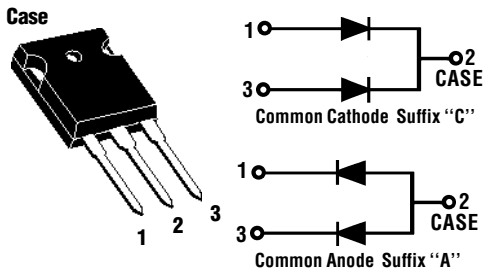


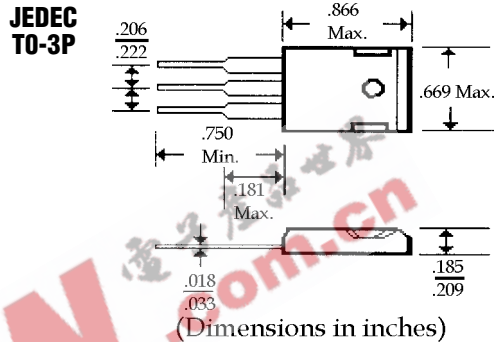
40 Amp SCHOTTKY BARRIER RECTIFIERS

FBR4030...4060 Series

Description



Mechanical Dimensions



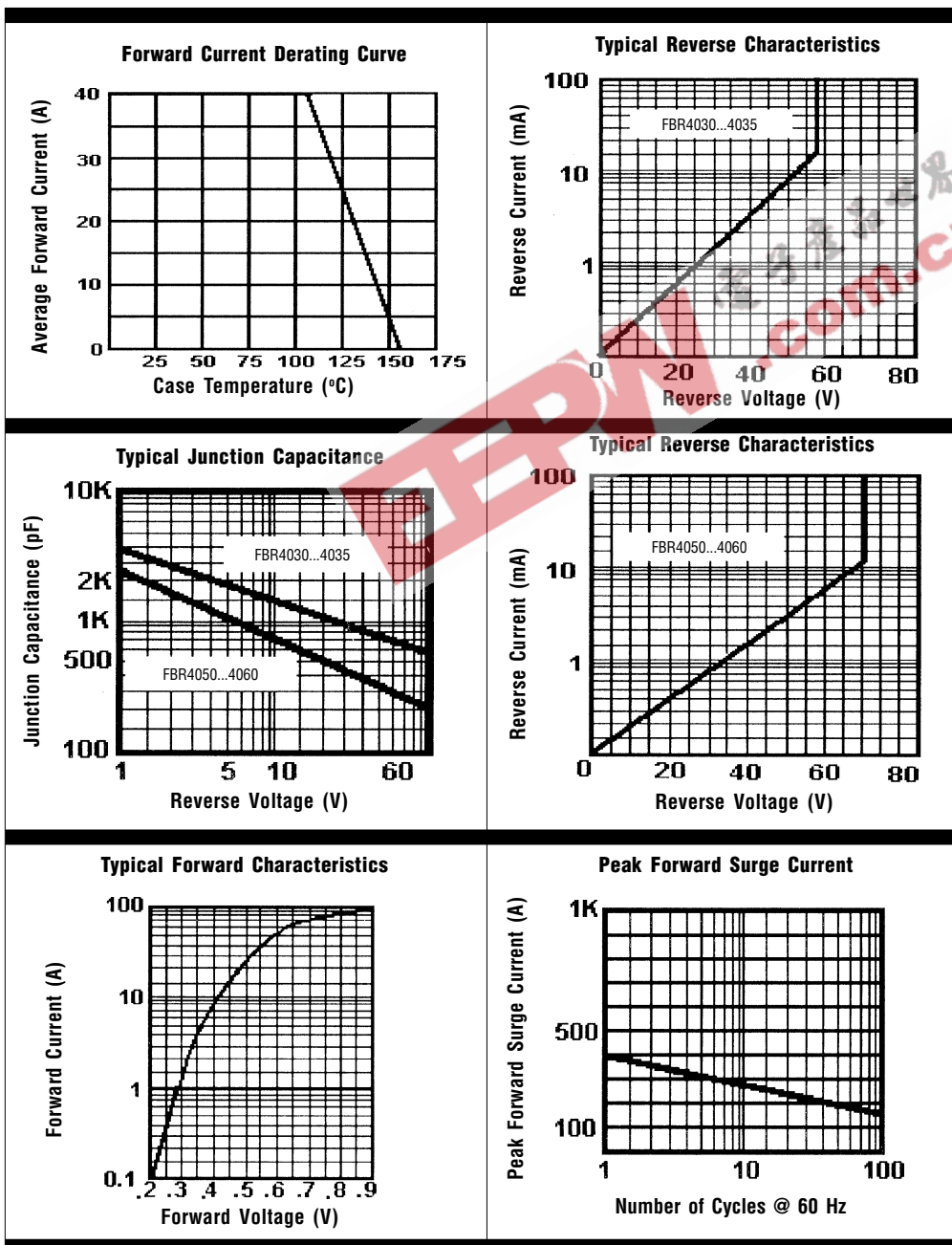
Features

- HIGH CURRENT CAPABILITY WITH LOW V_F
- HIGH SURGE VOLTAGE AND TRANSIENT PROTECTION
- HIGH EFFICIENCY w/LOW POWER LOSS
- MEETS UL SPECIFICATION 94V-0

FBR4030 . . . 4060 Series							Units	
Maximum Ratings	FBR4030	FBR4035	FBR4040	FBR4045	FBR4050	FBR4060		
Peak Repetitive Reverse Voltage... V_{RRM}	30	35	40	45	50	60	Volts	
Working Peak Reverse Voltage... V_{RWM}	30	35	40	45	50	60	Volts	
DC Blocking Voltage... V_{DC}	30	35	40	45	50	60	Volts	
RMS Reverse Voltage... V_R (rms)	21	24	28	31	35	42	Volts	
Average Forward Rectified Current... I_o @ $T_C = 110^\circ\text{C}$ V_R (equiv.) $\leq 0.2V_{R(DC)}$	40						Amps	
Non-Repetitive Peak Forward Surge Current... I_{FSM} @ Rated Load Conditions, 1/2 Sine Wave, Single Phase, 60Hz	400						Amps	
Operating & Storage Temperature Range... T_J, T_{STRG}	-65 to 150						$^\circ\text{C}$	
Electrical Characteristics								
Maximum Forward Voltage... V_F @ $I_F = 20$ Amps	<55 > <65 >						Volts	
Maximum DC Reverse Current... I_R @ Rated DC Blocking Voltage	$T_C = 25^\circ\text{C}$	3.0						mAmps
	$T_C = 125^\circ\text{C}$	< 100 > < 150 >						mAmps

40 Amp SCHOTTKY BARRIER RECTIFIERS

FBR4030 ... 4060 Series



Ratings at 25 Deg. C ambient temperature unless otherwise specified.

Single Phase Half Wave, 60 Hz Resistive or Inductive Load.

For Capacitive Load, Derate Current by 20%.