

# FOR BOARD-TO-CABLE CONNECTION

## 240R SERIES

### ■ FEATURES

- 1.27 mm (0.050 in.) pitch contact arrangement enables high-density mounting.
- Bellows contacts ensure stable contact preventing pins from bending. The bellows contacts also have excellent stability with repeated insertion and extraction.
- Cables and connectors are assembled by discrete wire IDC.
- Connectors on the cable side provide superb EMI shielding/ESD protection with an inner-metal and outer-plastic dual cover.
- Conforms to IEEE 1284.C Interface
- Tails are spaced in a four-row staggered arrangement (2.54 mm × 1.905 mm) (0.100 in. × 0.075 in.) for easy PC board design.



### ■ SPECIFICATIONS

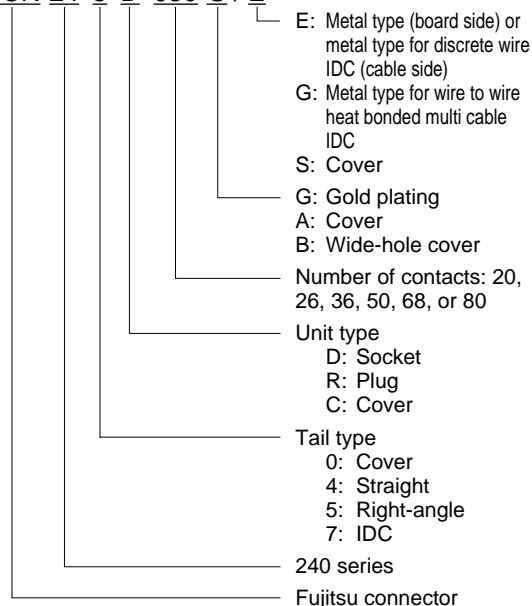
| Item                         | Specifications   |
|------------------------------|--|
| Operating temperature range  | -55°C to +85°C   |
| Current rating               | DC 1 A   |
| Voltage rating               | AC 240 V   |
| Contact resistance           | 50 mΩ max. (DC 20 mV, 10 mA)   |
| Insulation resistance        | 1,000 MΩ min. (DC 500 V)   |
| Dielectric withstand voltage | AC 750 V for 1 minute  |
| Applicable wire              | AWG #28 and #30 stranded wires with $\phi$ 0.5 to 0.65 mm (0.020 to 0.026 in.) insulation diameter |

### ■ MATERIALS

| Item      | Materials           |                   |
|-----------|---------------------|-------------------|
| Insulator | Polyester (UL94V-0) |                   |
| Conductor | Copper alloy        |                   |
| Plating   | Contact             | Gold plating      |
|           | Terminal            | Palladium plating |

### ■ ORDERING CODE

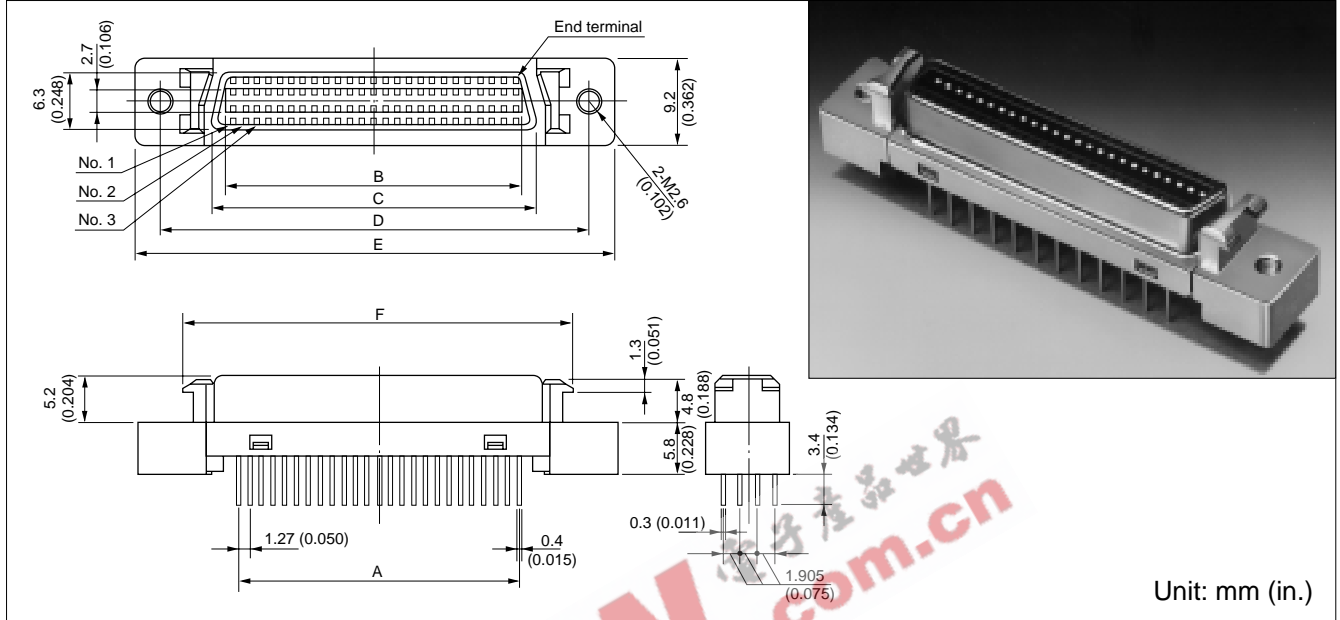
FCN-24 5 D 050-G / E



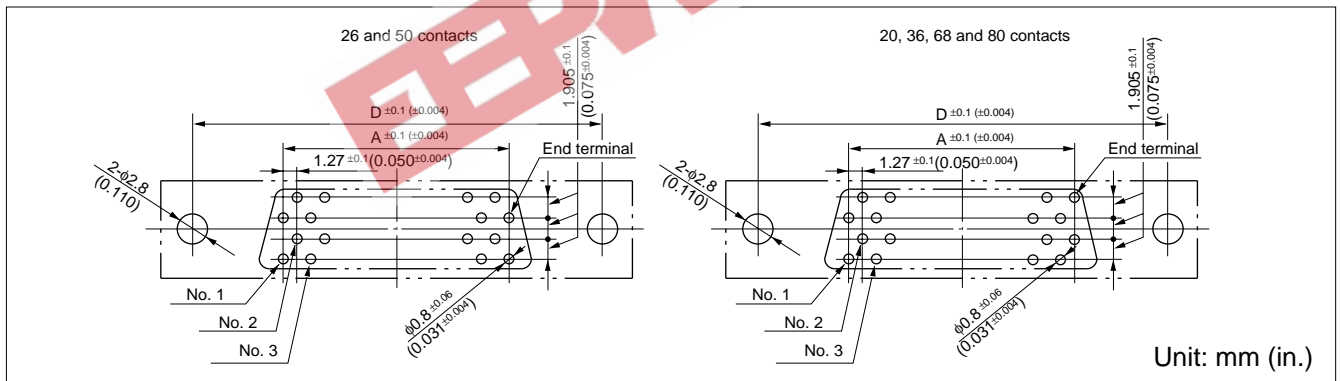
# 240R Series

## STRAIGHT SOCKET

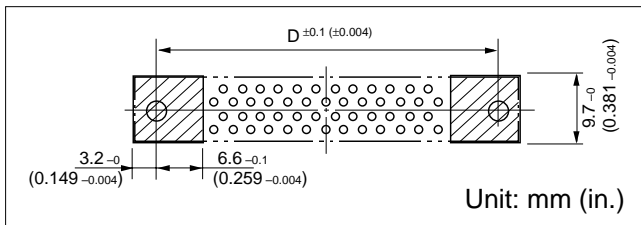
### ■ DIMENSIONS



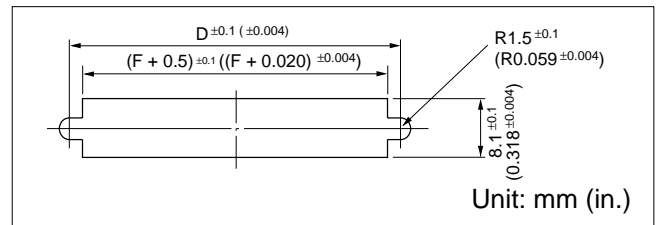
### ■ MOUNTING HOLE LAYOUT (COMPONENT SIDE)



### ■ PATTERN INHIBITED AREAS



### ■ RECOMMENDED PANEL DIMENSIONS



### ■ PART NUMBERS AND DIMENSIONS

Unit: mm (in.)

| Number of contacts | Part number     | A             | B             | C             | D             | E             | F             |
|--------------------|-----------------|---------------|---------------|---------------|---------------|---------------|---------------|
| 20                 | FCN-244D020-G/E | 11.43 (0.450) | 13.45 (0.529) | 16.45 (0.647) | 27.45 (1.080) | 33.35 (1.312) | 23.30 (0.917) |
| 26                 | FCN-244D026-G/E | 15.24 (0.600) | 17.26 (0.679) | 20.26 (0.797) | 31.26 (1.231) | 37.16 (1.462) | 27.11 (1.067) |
| 36                 | FCN-244D036-G/E | 21.59 (0.850) | 23.61 (0.929) | 26.61 (1.047) | 37.61 (1.480) | 43.51 (1.712) | 33.46 (1.317) |
| 50                 | FCN-244D050-G/E | 30.48 (1.200) | 32.50 (1.279) | 35.50 (1.397) | 46.50 (1.830) | 52.40 (2.062) | 42.35 (1.667) |
| 68                 | FCN-244D068-G/E | 41.91 (1.650) | 43.93 (1.729) | 46.93 (1.847) | 57.93 (2.280) | 63.83 (2.512) | 53.78 (2.117) |
| 80                 | FCN-244D080-G/E | 49.53 (1.950) | 51.55 (2.029) | 54.55 (2.147) | 65.55 (2.580) | 71.45 (2.812) | 61.40 (2.417) |

# 240R Series

## Fujitsu Components International Headquarter Offices

### Japan

Fujitsu Component Limited  
Gotanda-Chuo Building  
3-5, Higashigotanda 2-chome, Shinagawa-ku  
Tokyo 141, Japan  
Tel: (81-3) 5449-7010  
Fax: (81-3) 5449-2626  
Email: [promothq@ft.ed.fujitsu.com](mailto:promothq@ft.ed.fujitsu.com)  
Web: [www.fcl.fujitsu.com](http://www.fcl.fujitsu.com)

### North and South America

Fujitsu Components America, Inc.  
250 E. Caribbean Drive  
Sunnyvale, CA 94089 U.S.A.  
Tel: (1-408) 745-4900  
Fax: (1-408) 745-4970  
Email: [marcom@fcai.fujitsu.com](mailto:marcom@fcai.fujitsu.com)  
Web: [www.fcai.fujitsu.com](http://www.fcai.fujitsu.com)

### Europe

Fujitsu Components Europe B.V.  
Diamantlaan 25  
2132 WV Hoofddorp  
Netherlands  
Tel: (31-23) 5560910  
Fax: (31-23) 5560950  
Email: [info@fceu.fujitsu.com](mailto:info@fceu.fujitsu.com)  
Web: [www.fceu.fujitsu.com](http://www.fceu.fujitsu.com)

### Asia Pacific

Fujitsu Components Asia Ltd.  
102E Pasir Panjang Road  
#04-01 Citilink Warehouse Complex  
Singapore 118529  
Tel: (65) 6375-8560  
Fax: (65) 6273-3021  
Email: [fcal@fcal.fujitsu.com](mailto:fcal@fcal.fujitsu.com)  
[www.fcal.fujitsu.com](http://www.fcal.fujitsu.com)

© 2005 Fujitsu Components America, Inc. All company and product names are trademarks or registered trademarks of their respective owners. Rev. 01/17/2005.

EEPW 电子产品世界  
.com.cn