

# FBR3500W - FBR3510W

**PRV : 50 - 1000 Volts**  
**Io : 35 Amperes**

### FEATURES :

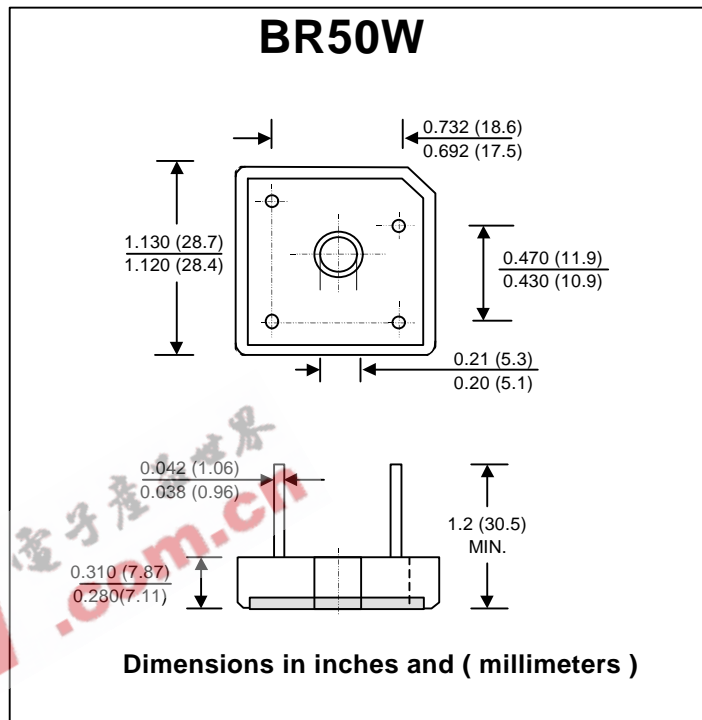
- \* High case dielectric strength
- \* High surge current capability
- \* High reliability
- \* Low reverse current
- \* Low forward voltage drop
- \* Fast switching for high efficiency
- \* Pb / RoHS Free

### MECHANICAL DATA :

- \* Case : Molded plastic with heatsink integrally mounted in the bridge encapsulation
- \* Epoxy : UL94V-O rate flame retardant
- \* Terminals : Plated lead solderable per MIL-STD-202, Method 208 guaranteed
- \* Polarity : Polarity symbols marked on case
- \* Mounting position : Bolt down on heat-sink with silicone thermal compound between bridge and mounting surface for maximum heat transfer efficiency
- \* Weight : 15.95 grams

## FAST RECOVERY BRIDGE RECTIFIERS

### BR50W



### MAXIMUM RATINGS AND ELECTRICAL CHARACTERISTICS

Rating at 25 °C ambient temperature unless otherwise specified.  
 Single phase, half wave, 60 Hz, resistive or inductive load.  
 For capacitive load, derate current by 20%.

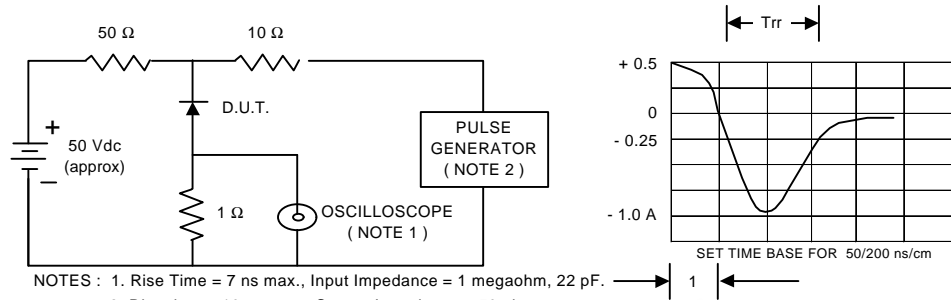
RATING	SYMBOL	FBR 3500W	FBR 3501W	FBR 3502W	FBR 3504W	FBR 3506W	FBR 3508W	FBR 3510W	UNIT
Maximum Recurrent Peak Reverse Voltage	$V_{RRM}$	50	100	200	400	600	800	1000	V
Maximum RMS Voltage	$V_{RMS}$	35	70	140	280	420	560	700	V
Maximum DC Blocking Voltage	$V_{DC}$	50	100	200	400	600	800	1000	V
Maximum Average Forward Current $T_c = 55\text{ }^\circ\text{C}$	$I_{F(AV)}$	35							A
Peak Forward Surge Current Single half sine wave Superimposed on rated load (JEDEC Method)	$I_{FSM}$	400							A
Current Squared Time at $t < 8.3\text{ ms.}$	$I^2t$	660							$A^2S$
Maximum Forward Voltage drop per Diode at $I_F = 17.5\text{ A}$	$V_F$	1.3							V
Maximum DC Reverse Current $T_a = 25\text{ }^\circ\text{C}$ at Rated DC Blocking Voltage $T_a = 100\text{ }^\circ\text{C}$	$I_R$	10							$\mu\text{A}$
	$I_{R(H)}$	200							$\mu\text{A}$
Maximum Reverse Recovery Time (Note 1)	$T_{rr}$	150			250		500		ns
Typical Thermal Resistance per diode (Note 2)	$R_{\theta JC}$	10							$^\circ\text{C/W}$
Operating Junction Temperature Range	$T_J$	- 50 to + 150							$^\circ\text{C}$
Storage Temperature Range	$T_{STG}$	- 50 to + 150							$^\circ\text{C}$

### Notes :

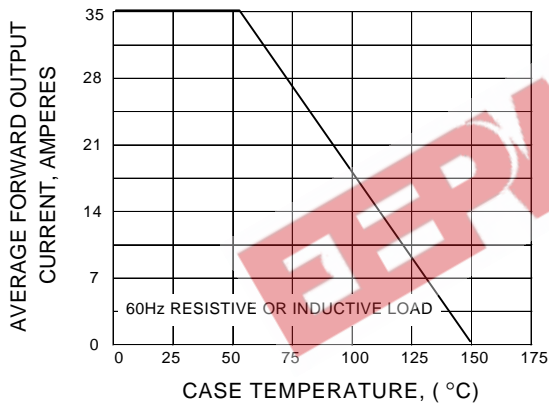
- 1 ) Measured with  $I_F = 0.5\text{ A}$ ,  $I_R = 1\text{ A}$ ,  $I_{rr} = 0.25\text{ A}$
- 2 ) Thermal Resistance from junction to case with units mounted on a 7.5" x 3.5" x 4.6" (19cm.x 9cm.x 11.8cm.) Al.-Finned Plate

## RATING AND CHARACTERISTIC CURVES ( FBR3500W - FBR3510W )

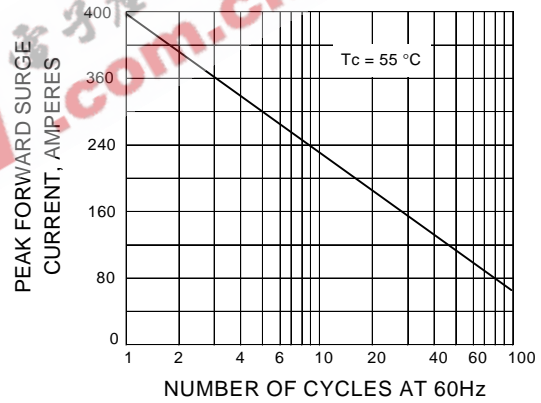
**FIG.1 - REVERSE RECOVERY TIME CHARACTERISTIC AND TEST CIRCUIT DIAGRAM**



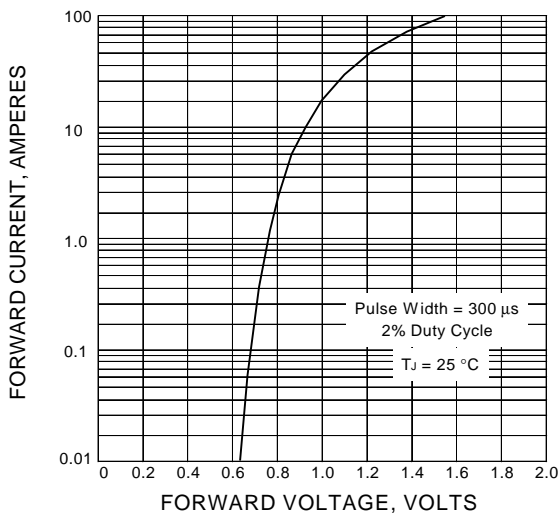
**FIG.2 - DERATING CURVE FOR OUTPUT RECTIFIED CURRENT**



**FIG.3 - MAXIMUM NON-REPETITIVE PEAK FORWARD SURGE CURRENT**



**FIG.4 - TYPICAL FORWARD CHARACTERISTICS PER DIODE**



**FIG.5 - TYPICAL REVERSE CHARACTERISTICS PER DIODE**

