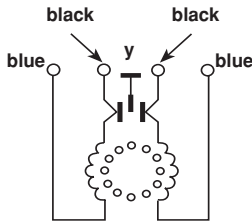


Suppression Filters, Aluminum Case

TECHNICAL DATA:

See page 121 (Document Number 27601).

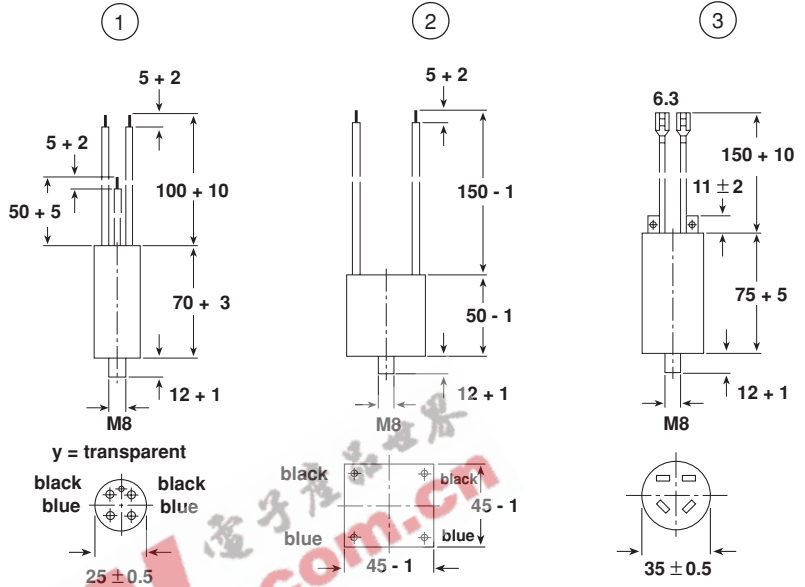
CIRCUIT DIAGRAM:



DISCRIPTION OF CIRCUIT:

Inductor: line (blue leads)
 Capacitor: load (black leads or flat plugs)

Dimensions in mm



APPROVALS: See general data on page 121 (Document Number 27601)

CAPACITANCE	INDUCTANCE (mH)	DISCHARGING RESISTOR E (MΩ)	RATED CURRENT* (amps)	DIMENSIONAL DIAGRAM	ORDERING CODE**
0.27 μFX1 / E+2x2700pFY2	2 x 7	1.5	1.6	1	F1762-0311-020
0.27 μFX1 / E+2x2700pFY2	2 x 4	1.5	2	1	F1762-0312-020
0.27 μFX1 / E+2x2700pFY2	2 x 2.5	1.5	2.5	1	F1762-0313-020
0.27 μFX1 / E+2x2700pFY2	2 x 2.5	1.5	5	1	F1762-0314-020
0.27 μFX1 / E+2x2700pFY2	2 x 7	1.5	4	2	F1762-0315-020
0.27 μFX1 / E+2x2700pFY2	2 x 4	1.5	6	2	F1762-0316-020
0.27 μFX1 / E+2x2700pFY2	2 x 1.5	1.5	10	2	F1762-0317-020
0.27 μFX1 / E+2x2700pFY2	2 x 1	1.5	15	2	F1762-0318-020
0.47 μFX1 / E+2x4700pFY2	2 x 1	680	15	3	F1762-0545-020
0.47 μFX1 / E+2x27 nFY2	2 x 0.3	680	15	3	F1762-0545-030
0.47 μFX1 / E+2x27 nFY2	2 x 1	680	15	3	F1762-0545-050

*For ambient temperature of > 40°C the allowed current decreases in ratio to the rated current.

See diagram on page 111 (Document Number 27502)

**Without discharging resistor

E = discharging resistors on request



Asymmetrical insertion loss (average)
Measurement at 60Ω-System with parallel leads

