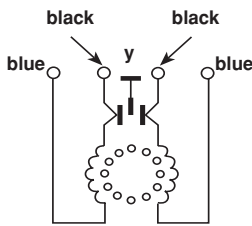


## Suppression Filters, Aluminum Case

**TECHNICAL DATA:**

See page 121 (Document Number 27601).

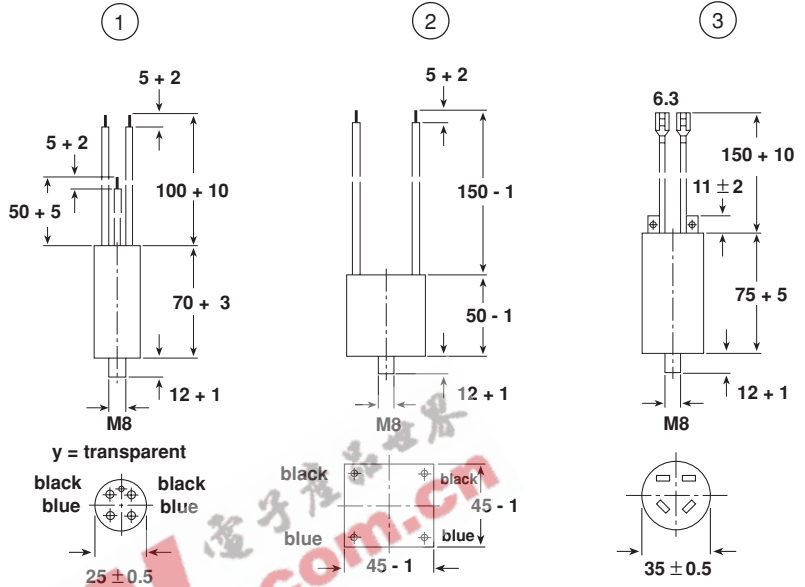
**CIRCUIT DIAGRAM:**



**DISCRIPTION OF CIRCUIT:**

Inductor: line (blue leads)  
 Capacitor: load (black leads or flat plugs)

Dimensions in mm



**APPROVALS:** See general data on page 121 (Document Number 27601)

| CAPACITANCE              | INDUCTANCE<br>(mH) | DISCHARGING<br>RESISTOR E<br>(MΩ) | RATED<br>CURRENT*<br>(amps) | DIMENSIONAL<br>DIAGRAM | ORDERING<br>CODE** |
|--------------------------|--------------------|-----------------------------------|-----------------------------|------------------------|--------------------|
| 0.27 μFX1 / E+2x2700pFY2 | 2 x 7              | 1.5                               | 1.6                         | 1                      | F1762-0311-020     |
| 0.27 μFX1 / E+2x2700pFY2 | 2 x 4              | 1.5                               | 2                           | 1                      | F1762-0312-020     |
| 0.27 μFX1 / E+2x2700pFY2 | 2 x 2.5            | 1.5                               | 2.5                         | 1                      | F1762-0313-020     |
| 0.27 μFX1 / E+2x2700pFY2 | 2 x 2.5            | 1.5                               | 5                           | 1                      | F1762-0314-020     |
| 0.27 μFX1 / E+2x2700pFY2 | 2 x 7              | 1.5                               | 4                           | 2                      | F1762-0315-020     |
| 0.27 μFX1 / E+2x2700pFY2 | 2 x 4              | 1.5                               | 6                           | 2                      | F1762-0316-020     |
| 0.27 μFX1 / E+2x2700pFY2 | 2 x 1.5            | 1.5                               | 10                          | 2                      | F1762-0317-020     |
| 0.27 μFX1 / E+2x2700pFY2 | 2 x 1              | 1.5                               | 15                          | 2                      | F1762-0318-020     |
| 0.47 μFX1 / E+2x4700pFY2 | 2 x 1              | 680                               | 15                          | 3                      | F1762-0545-020     |
| 0.47 μFX1 / E+2x27 nFY2  | 2 x 0.3            | 680                               | 15                          | 3                      | F1762-0545-030     |
| 0.47 μFX1 / E+2x27 nFY2  | 2 x 1              | 680                               | 15                          | 3                      | F1762-0545-050     |

\*For ambient temperature of > 40°C the allowed current decreases in ratio to the rated current.

See diagram on page 111 (Document Number 27502)

\*\*Without discharging resistor

E = discharging resistors on request



Asymmetrical insertion loss (average)  
Measurement at 60Ω-System with parallel leads

