

FBR3500W - FBR3510W

PRV : 50 - 1000 Volts
Io : 35 Amperes

FEATURES :

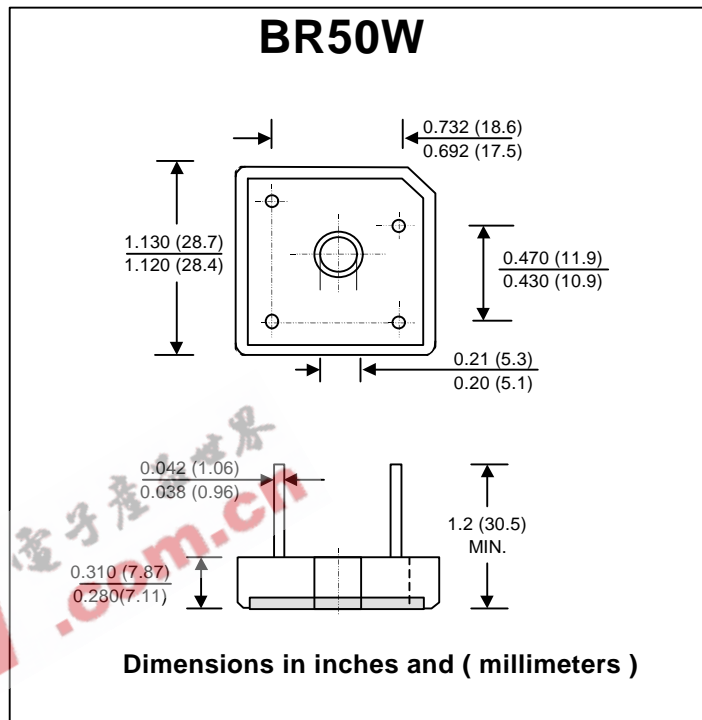
- * High case dielectric strength
- * High surge current capability
- * High reliability
- * Low reverse current
- * Low forward voltage drop
- * Fast switching for high efficiency
- * Pb / RoHS Free

MECHANICAL DATA :

- * Case : Molded plastic with heatsink integrally mounted in the bridge encapsulation
- * Epoxy : UL94V-O rate flame retardant
- * Terminals : Plated lead solderable per MIL-STD-202, Method 208 guaranteed
- * Polarity : Polarity symbols marked on case
- * Mounting position : Bolt down on heat-sink with silicone thermal compound between bridge and mounting surface for maximum heat transfer efficiency
- * Weight : 15.95 grams

FAST RECOVERY BRIDGE RECTIFIERS

BR50W



MAXIMUM RATINGS AND ELECTRICAL CHARACTERISTICS

Rating at 25 °C ambient temperature unless otherwise specified.
 Single phase, half wave, 60 Hz, resistive or inductive load.
 For capacitive load, derate current by 20%.

RATING	SYMBOL	FBR 3500W	FBR 3501W	FBR 3502W	FBR 3504W	FBR 3506W	FBR 3508W	FBR 3510W	UNIT
Maximum Recurrent Peak Reverse Voltage	V_{RRM}	50	100	200	400	600	800	1000	V
Maximum RMS Voltage	V_{RMS}	35	70	140	280	420	560	700	V
Maximum DC Blocking Voltage	V_{DC}	50	100	200	400	600	800	1000	V
Maximum Average Forward Current $T_c = 55\text{ }^\circ\text{C}$	$I_{F(AV)}$	35							A
Peak Forward Surge Current Single half sine wave Superimposed on rated load (JEDEC Method)	I_{FSM}	400							A
Current Squared Time at $t < 8.3\text{ ms.}$	I^2t	660							A^2S
Maximum Forward Voltage drop per Diode at $I_F = 17.5\text{ A}$	V_F	1.3							V
Maximum DC Reverse Current $T_a = 25\text{ }^\circ\text{C}$ at Rated DC Blocking Voltage $T_a = 100\text{ }^\circ\text{C}$	I_R	10							μA
	$I_{R(H)}$	200							μA
Maximum Reverse Recovery Time (Note 1)	T_{rr}	150			250		500		ns
Typical Thermal Resistance per diode (Note 2)	$R_{\theta JC}$	10							$^\circ\text{C/W}$
Operating Junction Temperature Range	T_J	- 50 to + 150							$^\circ\text{C}$
Storage Temperature Range	T_{STG}	- 50 to + 150							$^\circ\text{C}$

Notes :

- 1) Measured with $I_F = 0.5\text{ A}$, $I_R = 1\text{ A}$, $I_{rr} = 0.25\text{ A}$
- 2) Thermal Resistance from junction to case with units mounted on a 7.5" x 3.5" x 4.6" (19cm.x 9cm.x 11.8cm.) Al.-Finned Plate

RATING AND CHARACTERISTIC CURVES (FBR3500W - FBR3510W)

FIG.1 - REVERSE RECOVERY TIME CHARACTERISTIC AND TEST CIRCUIT DIAGRAM

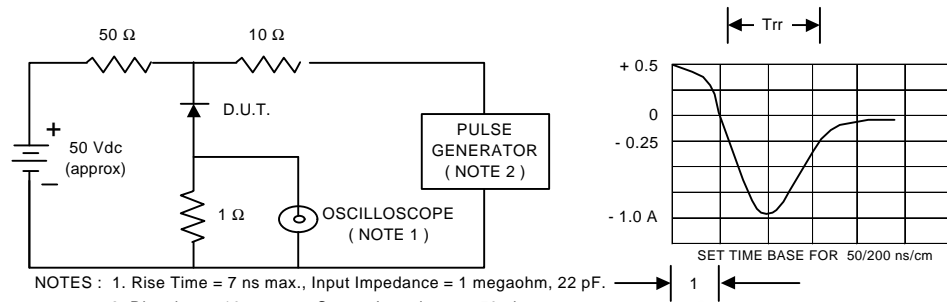


FIG.2 - DERATING CURVE FOR OUTPUT RECTIFIED CURRENT

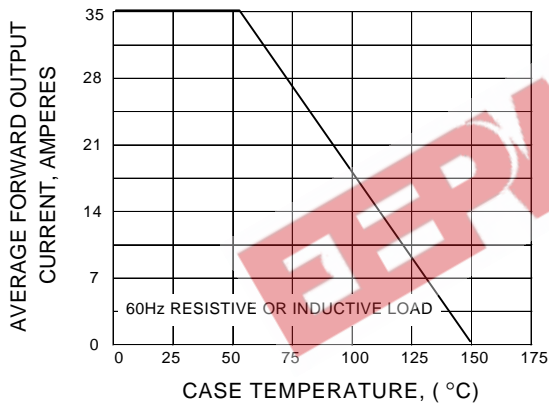


FIG.3 - MAXIMUM NON-REPETITIVE PEAK FORWARD SURGE CURRENT

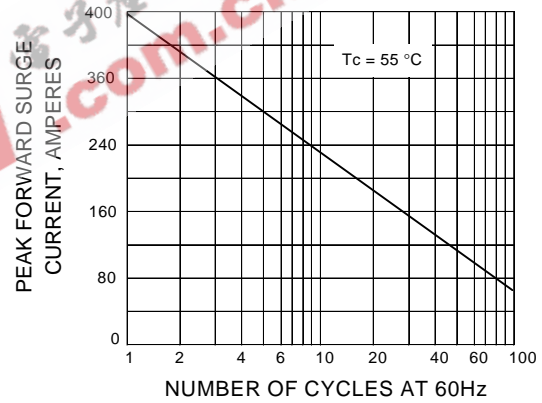


FIG.4 - TYPICAL FORWARD CHARACTERISTICS PER DIODE

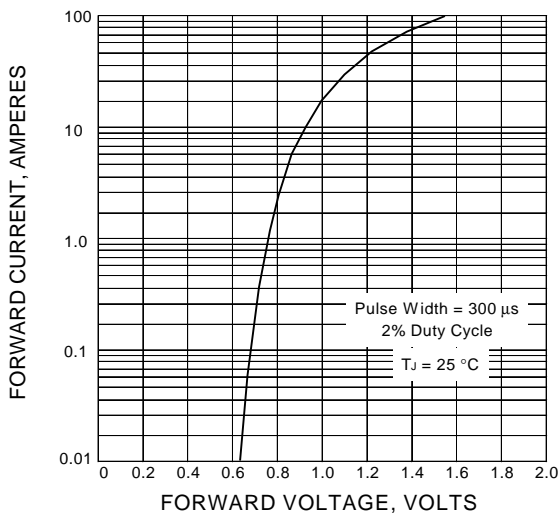


FIG.5 - TYPICAL REVERSE CHARACTERISTICS PER DIODE

