

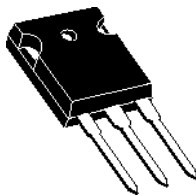


Data Sheet

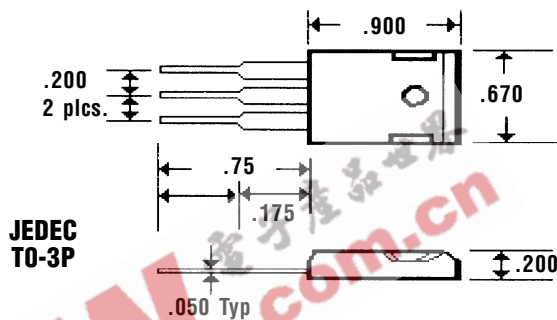
60 Amp High Voltage SCHOTTKY BARRIER RECTIFIERS

FBR6030...6060 Series

Description



Mechanical Dimensions



JEDEC
TO-3P

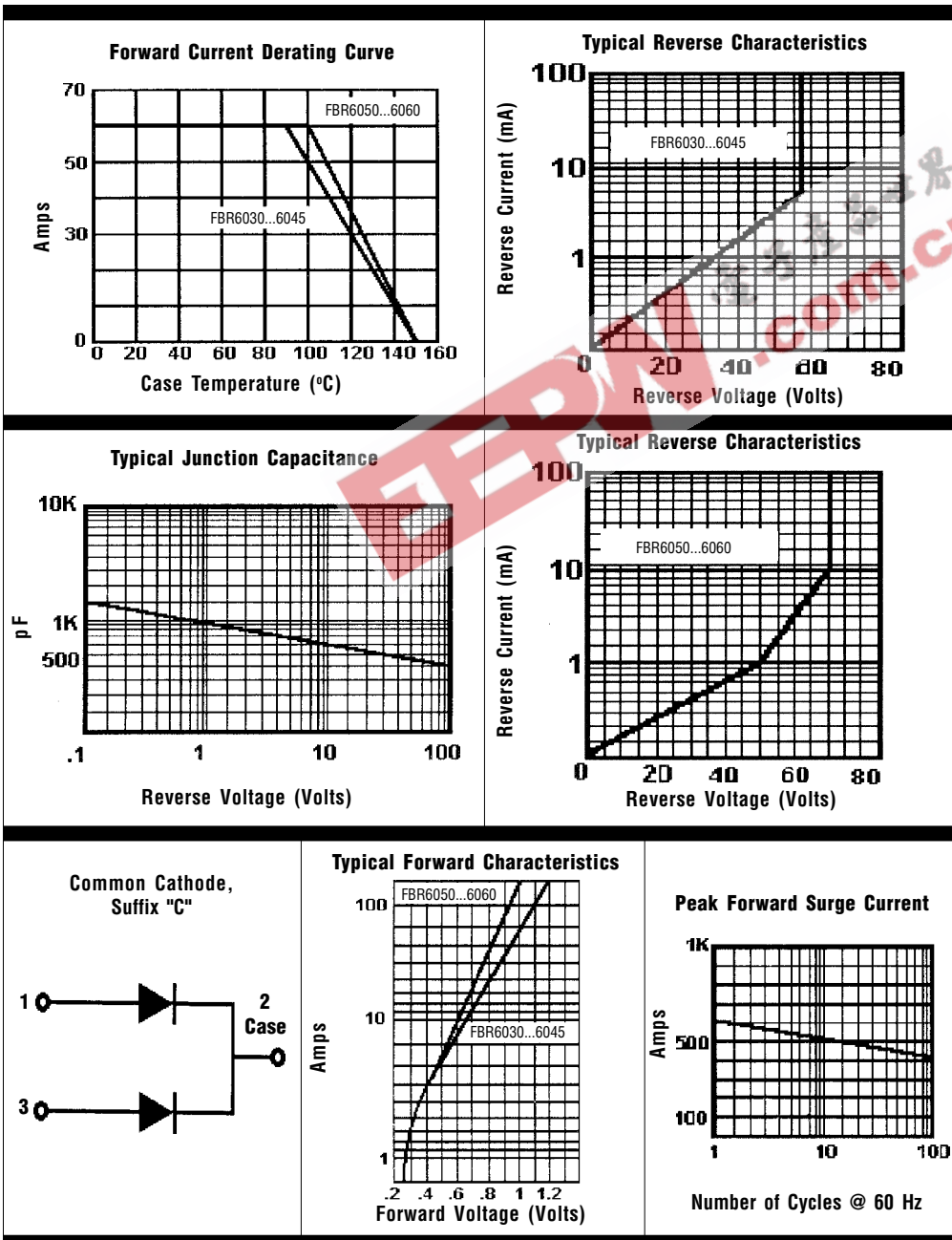
Features

- HIGH CURRENT CAPABILITY WITH LOW V_F
- HIGH SURGE VOLTAGE AND TRANSIENT PROTECTION
- HIGH EFFICIENCY w/LOW POWER LOSS
- MEETS UL SPECIFICATION 94V-0

Electrical Characteristics @ 25°C.	FBR6030 . . . 6060 Series						Units
Maximum Ratings	FBR6030	FBR6035	FBR6040	FBR6045	FBR6050	FBR6060	
Peak Repetitive Reverse Voltage... V_{RRM}	30	35	40	45	50	60	Volts
Working Peak Reverse Voltage... V_{RWM}	30	35	40	45	50	60	Volts
DC Blocking Voltage... V_{DC}	30	35	40	45	50	60	Volts
RMS Reverse Voltage... V_R (rms)	21	24	28	31	35	42	Volts
Average Forward Rectified Current... I_o @ $T_C = 110^\circ\text{C}$ V_R (equiv.) $\leq 0.2V_{R(DC)}$	60						Amps
Non-Repetitive Peak Forward Surge Current... I_{FSM} @ Rated Load Conditions, 1/2 Sine Wave, Single Phase, 60HZ	600						Amps
Forward Voltage... V_F @ $I_F = 30$ Amps	<65 >		<75 >				Volts
DC Reverse Current... I_R @ Rated DC Blocking Voltage	$T_C = 25^\circ\text{C}$ 10		$T_C = 125^\circ\text{C}$ 150				mAmps mAmps
Operating & Storage Temperature Range... T_J, T_{STRG}	-65 to 150						°C

60 Amp High Voltage SCHOTTKY BARRIER RECTIFIERS

FBR6030 ... 6060 Series



NOTES: 1. Measured @ 1 MHz and applied reverse voltage of 4.0V.
2. Thermal Resistance Junction to Case, Jedec Method.
3. When Mounted to heat sink, from body.

Ratings at 25 Deg. C ambient temperature unless otherwise specified.

Single Phase Half Wave, 60 HZ Resistive or Inductive Load.

For Capacitive Load, Derate Current by 20%.