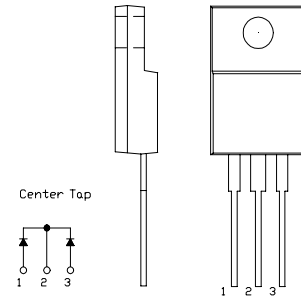


# SBD Type : FCL10A015

OUTLINE DRAWING

**FEATURES**

- \*TO-220AB Case
- \*Fully Molded
- \*Dual Diodes – Cathode Common
- \*Extremely Low Forward Voltage Drop
- \*Oring Diode
- \*High Surge Capability



## Maximum Ratings

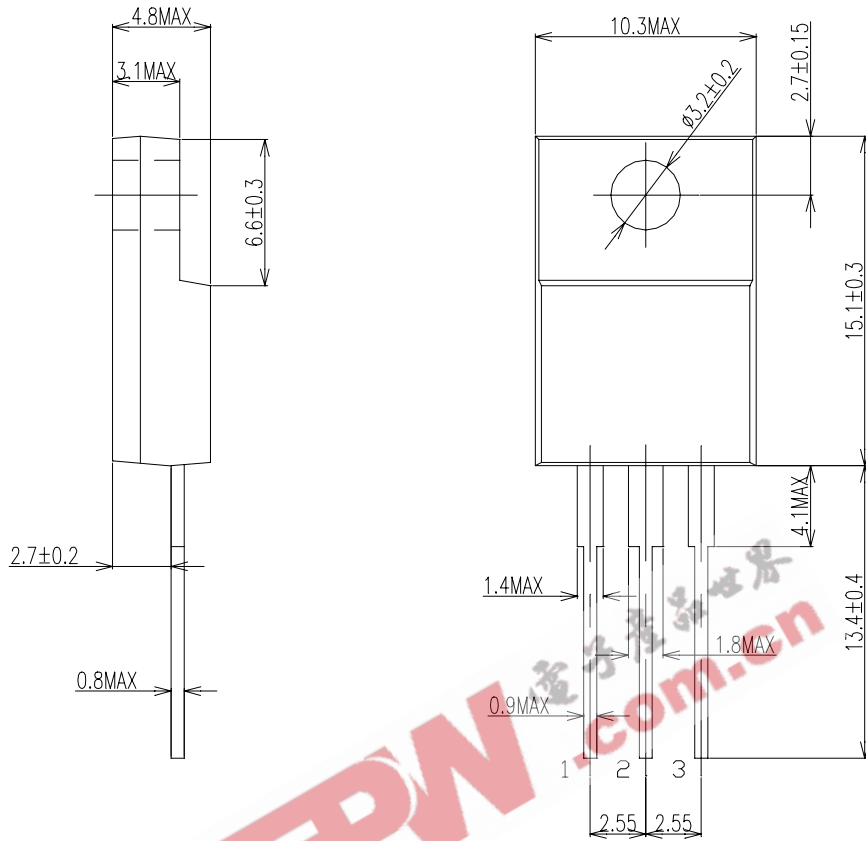
Approx Net Weight: 1.75g

Rating	Symbol	FCL10A015			Unit
Repetitive Peak Reverse Voltage	$V_{RRM}$	15			V
Average Rectified Output Current	$I_O$	10	$T_c=99^\circ\text{C}$	50 Hz Full Sine Wave Resistive Load	A
RMS Forward Current	$I_{F(RMS)}$	11.1			A
Surge Forward Current	$I_{FSM}$	130	50Hz Full Sine Wave ,1cycle Non-repetitive		A
Operating Junction Temperature Range	$T_{jw}$	-40 to +125			$^\circ\text{C}$
Storage Temperature Range	$T_{stg}$	-40 to +125			$^\circ\text{C}$
Mounting torque	$F_{tor}$	recommended torque = 0.5			N•m

## Electrical • Thermal Characteristics

Characteristics	Symbol	Conditions	Min.	Typ.	Max.	Unit
Peak Reverse Current	$I_{RM}$	$T_j= 25^\circ\text{C}$ , $V_{RM}= V_{RRM}$ per arm	-	-	5	mA
Peak Forward Voltage	$V_{FM}$	$T_j= 25^\circ\text{C}$ , $I_{FM}= 5\text{ A}$ per arm	-	-	0.38	V
Thermal Resistance	$R_{th(j-c)}$	Junction to Case	-	-	3	$^\circ\text{C}/\text{W}$
	$R_{th(c-f)}$	Case to Fin	-	-	1.5	$^\circ\text{C}/\text{W}$

FCL10A015 OUTLINE DRAWING (Dimensions in mm)



Center Tap

