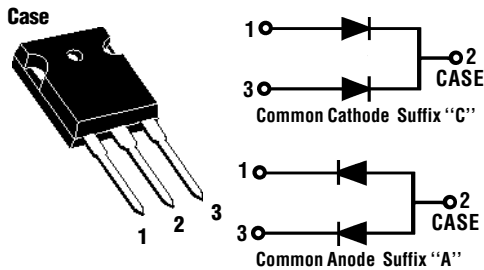


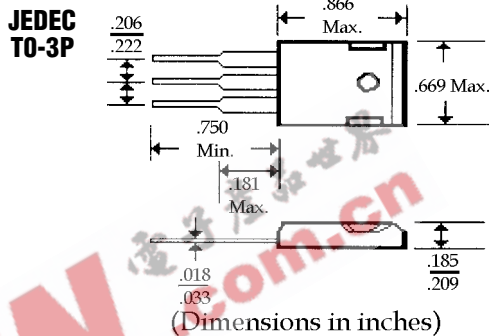
**50 Amp SCHOTTKY
BARRIER RECTIFIERS**

FBR5030...5060 Series

Description



Mechanical Dimensions



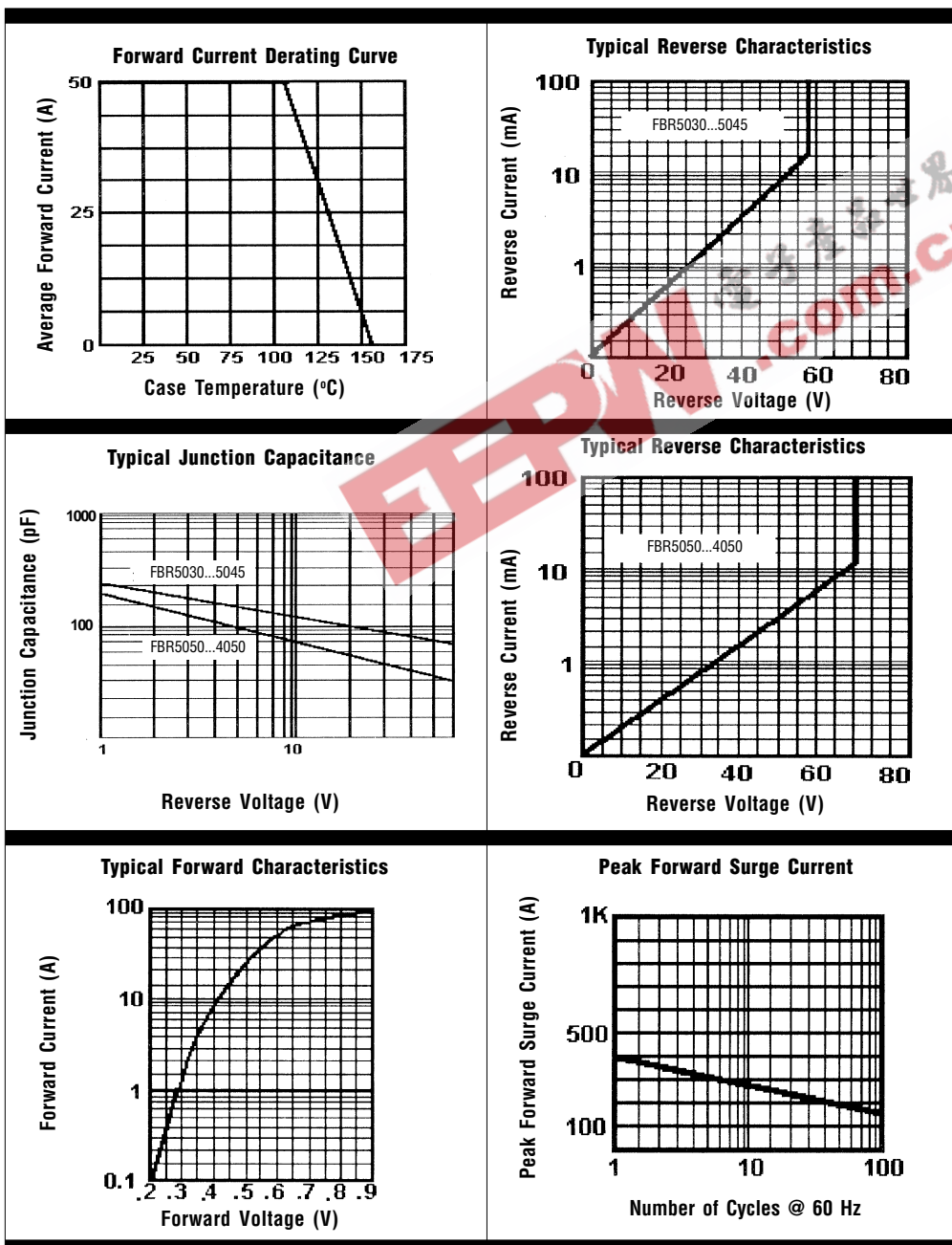
Features

- HIGH CURRENT CAPABILITY WITH LOW V_F
- HIGH SURGE VOLTAGE AND TRANSIENT PROTECTION
- HIGH EFFICIENCY w/LOW POWER LOSS
- MEETS UL SPECIFICATION 94V-0

FBR5030 . . . 5060 Series							Units
Maximum Ratings	FBR5030	FBR5035	FBR5040	FBR5045	FBR5050	FBR5060	
Peak Repetitive Reverse Voltage... V_{RRM}	30	35	40	45	50	60	Volts
Working Peak Reverse Voltage... V_{RWM}	30	35	40	45	50	60	Volts
DC Blocking Voltage... V_{DC}	30	35	40	45	50	60	Volts
RMS Reverse Voltage... V_R (rms)	21	24	28	31	35	42	Volts
Average Forward Rectified Current... I_F @ $T_C = 110^\circ\text{C}$ V_R (equiv.) $\leq 0.2V_{R(DC)}$	50						Amps
Non-Repetitive Peak Forward Surge Current... I_{FSM} @ Rated Load Conditions, 1/2 Sine Wave, Single Phase, 60Hz	500						Amps
Operating & Storage Temperature Range... T_J, T_{STRG}	-65 to 150						$^\circ\text{C}$
Electrical Characteristics							
Maximum Forward Voltage... V_F @ $I_F = 25$ Amps	< .60 >			< .70 >			Volts
Maximum DC Reverse Current... I_R @ Rated DC Blocking Voltage	5.0						mAmps
	< 100 >			< 150 >			mAmps

**50 Amp SCHOTTKY
BARRIER RECTIFIERS**

FBR5030 ... 5060 Series



Ratings at 25 Deg. C ambient temperature unless otherwise specified.

Single Phase Half Wave, 60 Hz Resistive or Inductive Load.

For Capacitive Load, Derate Current by 20%.