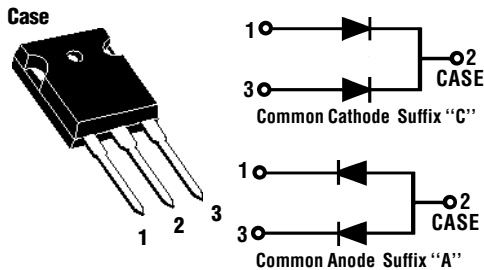


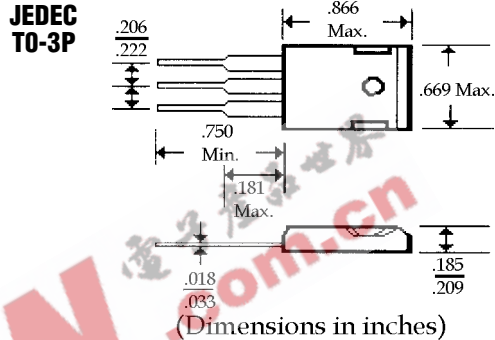
# 40 Amp SCHOTTKY BARRIER RECTIFIERS

**FBR4030...4060 Series**

## Description



## Mechanical Dimensions



## Features

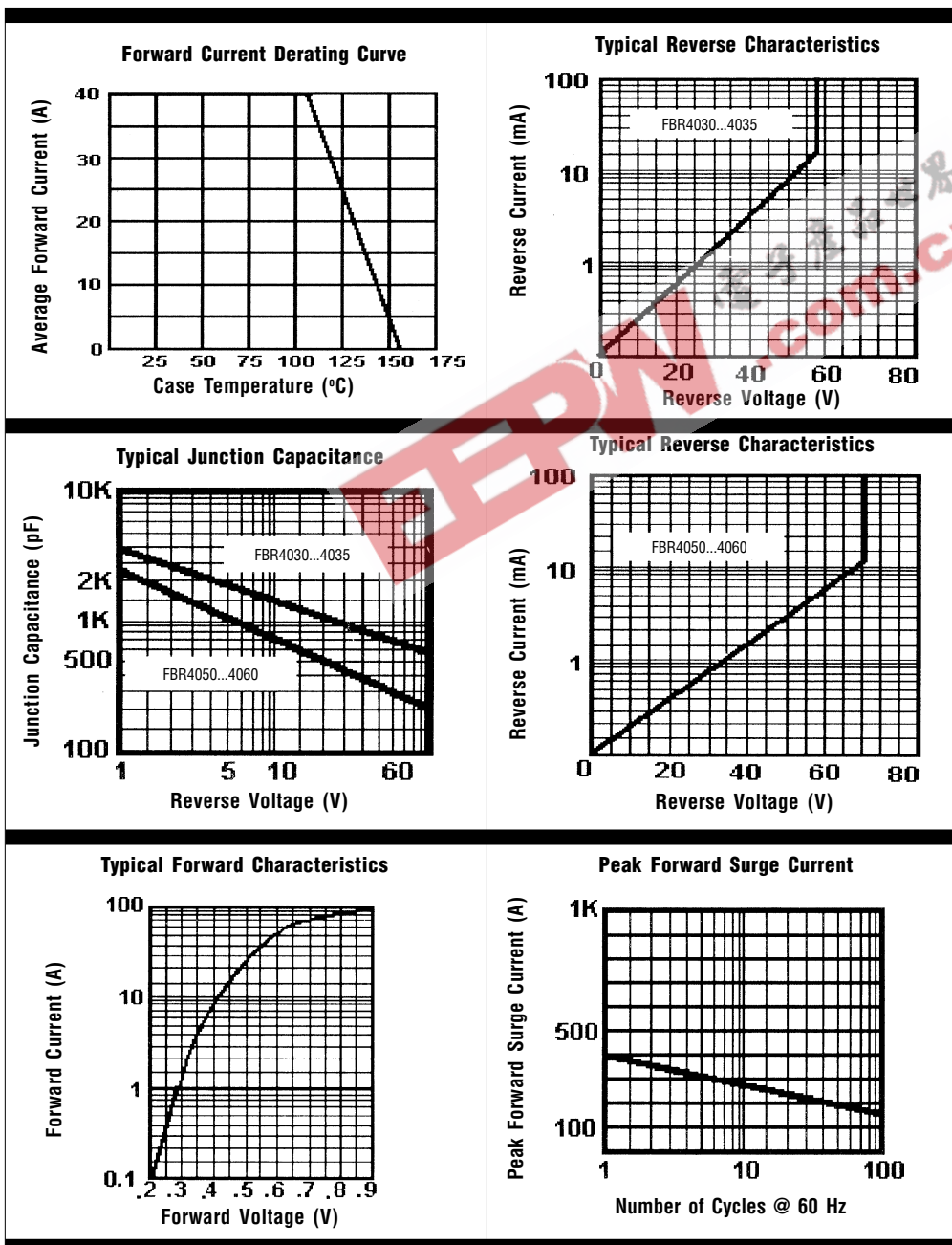
- HIGH CURRENT CAPABILITY WITH LOW  $V_F$
- HIGH SURGE VOLTAGE AND TRANSIENT PROTECTION
- HIGH EFFICIENCY w/LOW POWER LOSS
- MEETS UL SPECIFICATION 94V-0

FBR4030 . . . 4060 Series							Units	
Maximum Ratings	FBR4030	FBR4035	FBR4040	FBR4045	FBR4050	FBR4060		
Peak Repetitive Reverse Voltage... $V_{RRM}$	30	35	40	45	50	60	Volts	
Working Peak Reverse Voltage... $V_{RWM}$	30	35	40	45	50	60	Volts	
DC Blocking Voltage... $V_{DC}$	30	35	40	45	50	60	Volts	
RMS Reverse Voltage... $V_R$ (rms)	21	24	28	31	35	42	Volts	
Average Forward Rectified Current... $I_o$ @ $T_C = 110^\circ C$ $V_R$ (equiv.) $\leq 0.2V_{R(DC)}$	40						Amps	
Non-Repetitive Peak Forward Surge Current... $I_{FSM}$ @ Rated Load Conditions, 1/2 Sine Wave, Single Phase, 60Hz	400						Amps	
Operating & Storage Temperature Range... $T_J, T_{STRG}$	-65 to 150						$^\circ C$	
<b>Electrical Characteristics</b>								
Maximum Forward Voltage... $V_F$ @ $I_F = 20$ Amps	< ..... .55 ..... > < ..... .65 ..... >						Volts	
Maximum DC Reverse Current... $I_R$ @ Rated DC Blocking Voltage	$T_C = 25^\circ C$	3.0						mAmps
	$T_C = 125^\circ C$	< ..... 100 ..... > < ..... 150 ..... >						mAmps



# 40 Amp SCHOTTKY BARRIER RECTIFIERS

**FBR4030 ... 4060 Series**



Ratings at 25 Deg. C ambient temperature unless otherwise specified.

Single Phase Half Wave, 60 Hz Resistive or Inductive Load.

For Capacitive Load, Derate Current by 20%.