

Dual Rail-to-Rail I/O, High-Slew-Rate OP Amp

Features

- +3V to +5.5V Single-Supply Operation
- Input / Output Rail-to-Rail
- Low Input Current
- High Output Driving Capacity
- Low Quiescent Current: 1mA @ 5V
- High Slew Rate 6V/ μ s
- High Gain-Bandwidth Product 2.5MHz
- High Open Loop Gain 95dB
- High PSRR 70dB

Applications

- Headphone Driver
- Portable Equipment
- Battery-Powered Equipment
- Multimedia Audio
- ASIC Input or Output Amplifier
- Sensor Amplifier
- Low Power/Low Voltage Applications

General Description

G1224 is a input/output rail-to-rail Operational Amplifier. It can be operated from +3V to +5.5V single supply or from $\pm 1.5V$ to $\pm 2.75V$ dual supply. G1224 can drive 66mA into resistor loads to within 10% power rail each amplifier. AC performance is very excellent with 2.5MHz bandwidth, 6V/ μ s Slew Rate, 95dB open loop gain, 60 degree phase margin and low distortion.

Supply current of G1224 is only 500 μ A per Amplifier. It is very suitable for low current consumption applications to control high current loads. Applications include audio amplification for computers, sound ports, sound cards and set-top boxes.

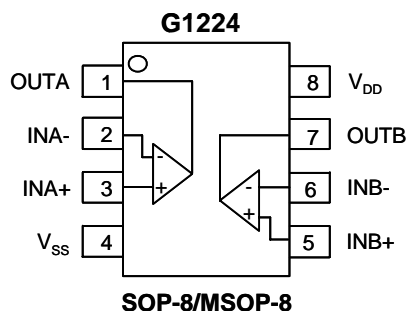
G1224 is available in 8pins SOP-8, MSOP-8.

Ordering Information

ORDER NUMBER	MARKING	TEMP. RANGE	PACKAGE (Pb free)
G1224P1U	G1224	0°C to 85°C	SOP-8
G1224P8U	G1224	0°C to 85°C	MSOP-8

Note: P1: SOP-8 P8: MSOP-8
U: Tape & Reel

Pin Configuration



Typical Application Circuit

