



GS1AW~GS1MW

SURFACE MOUNT GENERAL PURPOSE RECTIFIER

VOLTAGE 50 to 1000 Volts **CURRENT** 1.0 Amperes

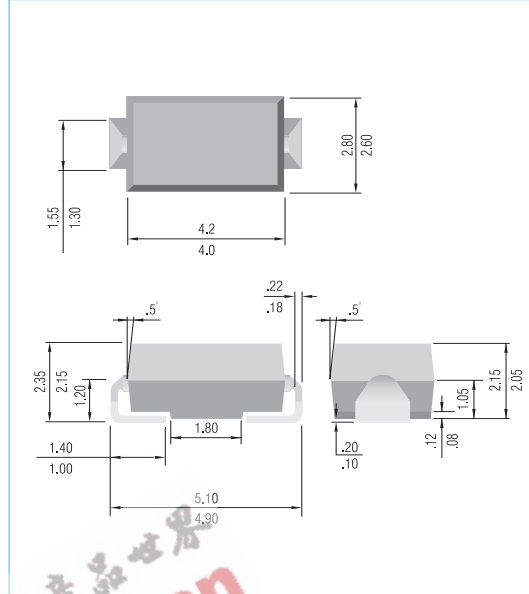
FEATURES

- For surface mounted applications
- Low profile package
- Built-in strain relief
- Easy pick and place
- Plastic package has Underwriters Laboratory Flammability Classification 94V-O
- Low Forward Drop
- High temperature soldering : 260°C /10 seconds at terminals
- Plastic Silicon Passivated
- In compliance with EU RoHS 2002/95/EC directives

MECHANICAL DATA

- Case: SMA-W molded plastic
- Terminals: Solder plated, solderable per MIL-STD-750,Method 2026
- Polarity: Indicated by cathode band
- Standard packaging: 12 mm tape (EIA-481)
- Weight: 0.002 ounce, 0.064 gram

SMA -W Unit: mm



MAXIMUM RATINGS AND ELECTRICAL CHARACTERISTICS

Ratings at 25°C ambient temperature unless otherwise specified. Single phase, half wave, 60 Hz, resistive or inductive load. For capacitive load, derate current by 20%.

PARAMETER	SYMBOL	GS1AW	GS1BW	GS1DW	GS1GW	GS1JW	GS1KW	GS1MW	UNITS
Maximum Recurrent Peak Reverse Voltage	V_{RRM}	50	100	200	400	600	800	1000	V
Maximum RMS Voltage	V_{RMS}	35	70	140	280	420	560	700	V
Maximum DC Blocking Voltage	V_{DC}	50	100	200	400	600	800	1000	V
Maximum Average Forward Current .375"(9.5mm) lead length at $T_J=50^\circ\text{C}$	$I_{F(AV)}$	1.0							A
Peak Forward Surge Current : 8.3ms single half sine-wave superimposed on rated load(JEDEC method)	I_{FSM}	30							A
Maximum Forward Voltage at 1.0A DC	V_F	1.1							V
Maximum DC Reverse Current at $T_J=25^\circ\text{C}$ Rated DC Blocking Voltage $T_J=125^\circ\text{C}$	I_R	5.0 50							uA
Typical Junction capacitance (Note 1)	C_J	12							pF
Typical Junction Resistance(Note 2)	$R_{\theta JL}$	30							°C / W
Operating and Storage Temperature Range	T_J, T_{STG}	-55 TO +150							°C

NOTES:1. Measured at 1 MHz and applied $V_r = 4.0$ volts.
2. 8.0 mm² (.013mm thick) land areas.



GS1AW~GS1MW

RATING AND CHARACTERISTIC CURVES

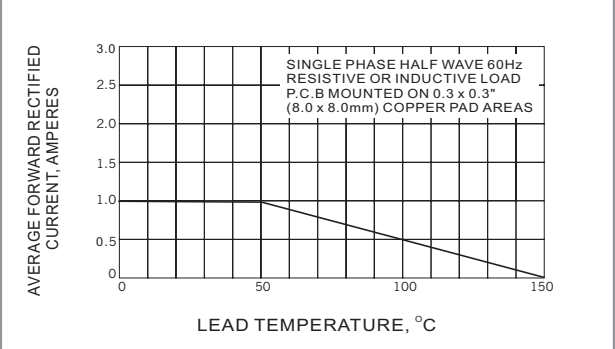


Fig.1 FORWARD CURRENT DERATING CURVE

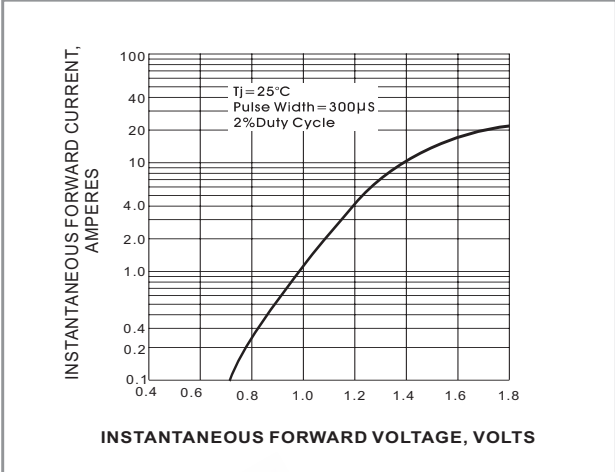


Fig.2-TYPICAL INSTANTANEOUS FORWARD CHARACTERISTICS

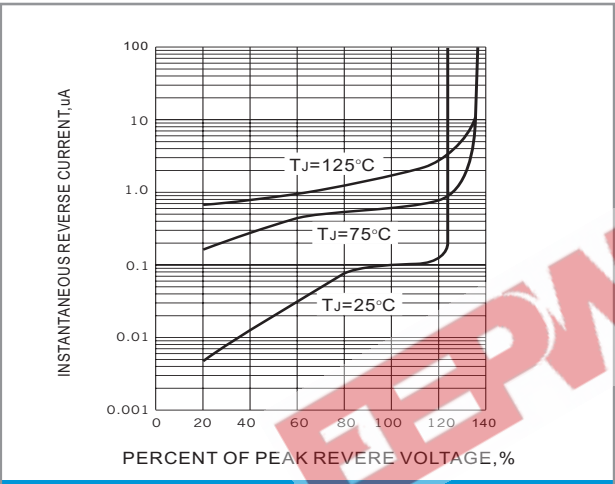


Fig.3 TYPICAL REVERSE CHARACTERISTICS

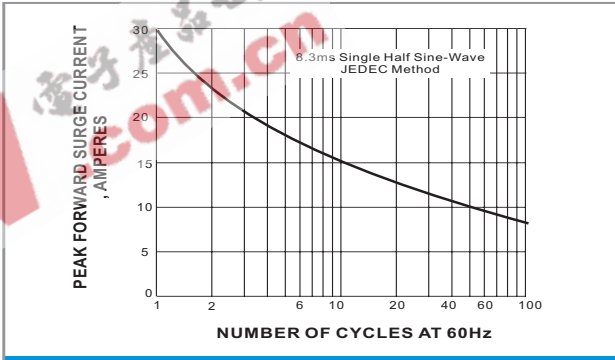


Fig.4-MAXIMUM NON-REPETITIVE PEAK FORWARD SURGE CURRENT

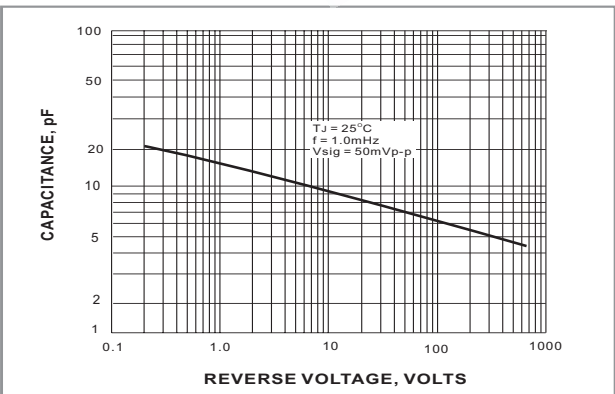


Fig.5 TYPICAL JUNCTION CAPACITANCE

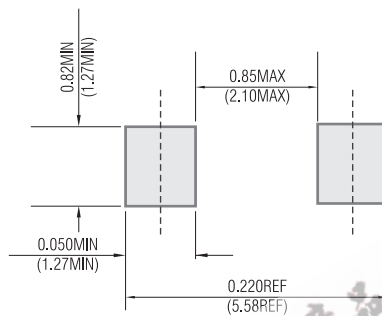


GS1AW~GS1MW

MOUNTING PAD LAYOUT

SMA/DO-214AC

Unit: inch (mm)



ORDER INFORMATION

- Packing information

T/R - 7.5K per 13" plastic Reel

T/R - 1.8Kper 7" plastic Reel

LEGAL STATEMENT

Copyright PanJit International, Inc 2007

The information presented in this document is believed to be accurate and reliable. The specifications and information herein are subject to change without notice. Pan Jit makes no warranty, representation or guarantee regarding the suitability of its products for any particular purpose. Pan Jit products are not authorized for use in life support devices or systems. Pan Jit does not convey any license under its patent rights or rights of others.