

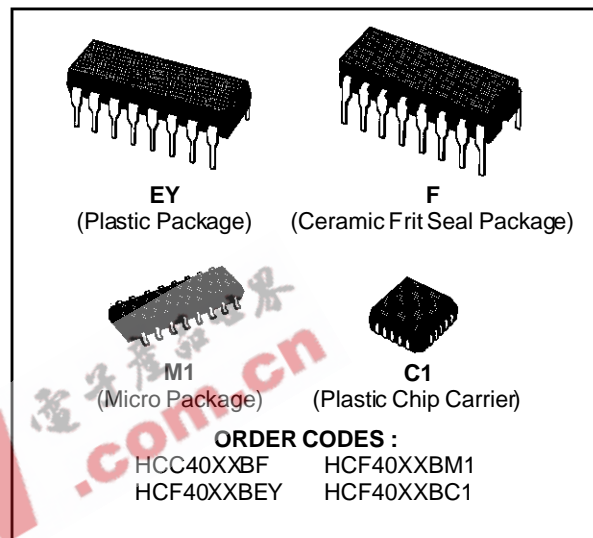
ANALOG MULTIPLEXERS-DEMULTIPLEXERS

4051B - SINGLE 8-CHANNEL

4052B - DIFFERENTIAL 4-CHANNEL

4053B - TRIPLE 2-CHANNEL

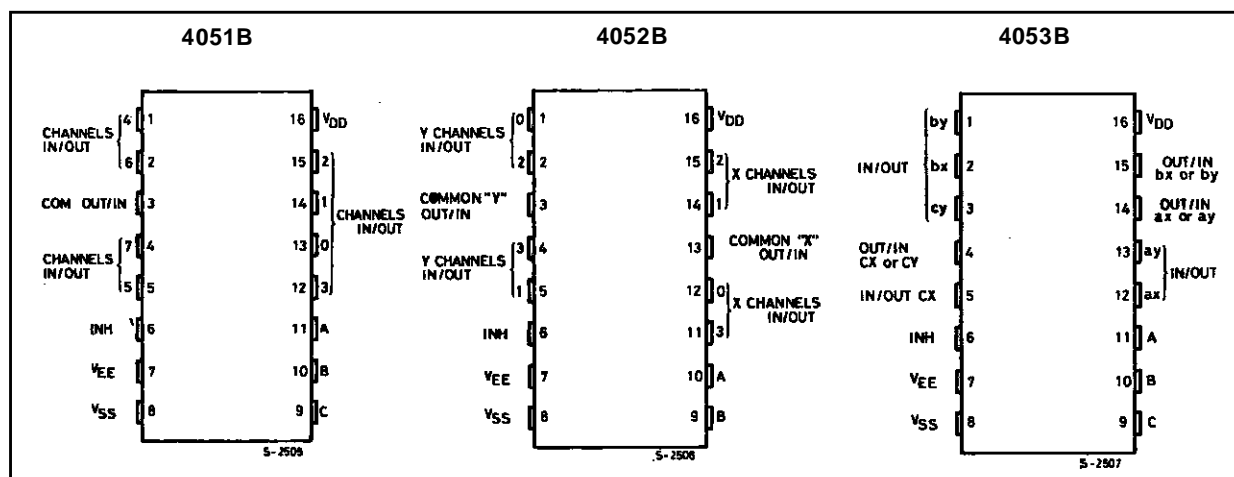
- QUIESCENT CURRENT SPECIFIED TO 20V FOR HCC DEVICE
- LOW "ON" RESISTANCE : 125Ω (typ.) OVER 15V p.p. SIGNAL-INPUT RANGE FOR $V_{DD} - V_{EE} = 15V$
- HIGH "OFF" RESISTANCE : CHANNEL LEAKAGE $\pm 100pA$ (typ.) $V_{DD} - V_{EE} = 18V$
- BINARY ADDRESS DECODING ON CHIP
- VERY LOW QUIESCENT POWER DISSIPATION UNDER ALL DIGITAL CONTROL INPUT AND SUPPLY CONDITIONS : 0.2 μW (typ.), $V_{DD} - V_{SS} = V_{DD} - V_{EE} = 10V$
- MATCHED SWITCH CHARACTERISTICS : $R_{ON} = 5\Omega$ (typ.) for $V_{DD} - V_{EE} = 15V$
- WIDE RANGE OF DIGITAL AND ANALOG SIGNAL LEVELS : DIGITAL 3 TO 20V, ANALOG TO 20V p.p.
- 5V, 10V, AND 15V PARAMETRIC RATINGS
- INPUT CURRENT OF 100mA AT 18V AND 25°C FOR HCC DEVICE
- 100% TESTED FOR QUIESCENT CURRENT
- MEETS ALL REQUIREMENTS OF JEDEC TENTATIVE STANDARD N° 13A, "STANDARD SPECIFICATIONS FOR DESCRIPTION OF "B" SERIES CMOS DEVICES"



DESCRIPTION

The **HCC 4051B**, **4052B** and **4053B** (extended temperature range) and **HCF4051B**, **4052B** and **4053B** (intermediate temperature range) are monolithic integrated circuits, available in 16-lead dual in-line plastic or ceramic package and plastic micropackage. **HCC/HCF4051B**, **HCC/HCF4052B**, and **HCC/HCF4053B** analog multiplexers/demultiplexers are digitally controlled analog switches having low ON impedance and very low OFF leakage

PIN CONNECTIONS

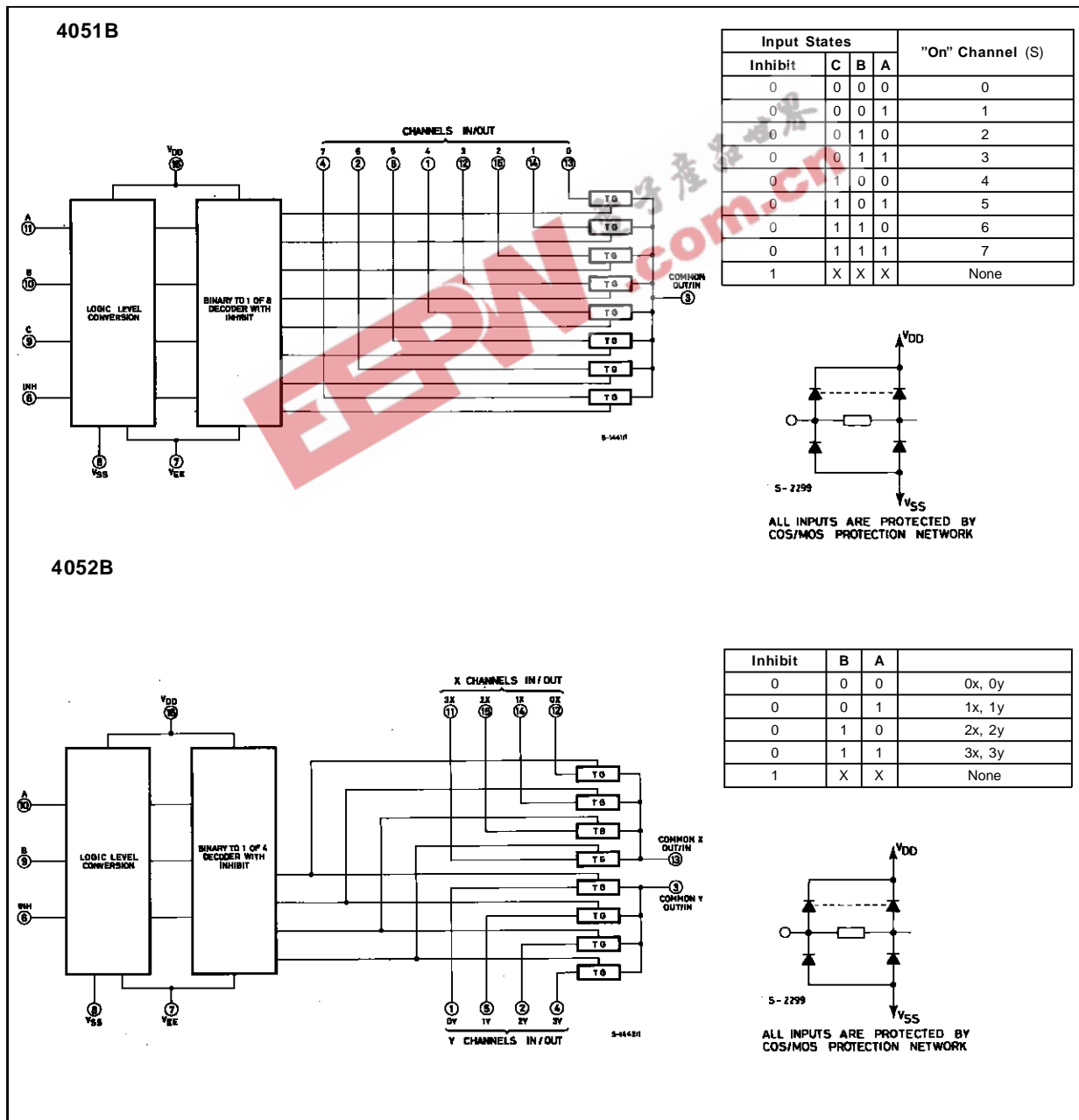


HCC/HCF4051B/52B/53B

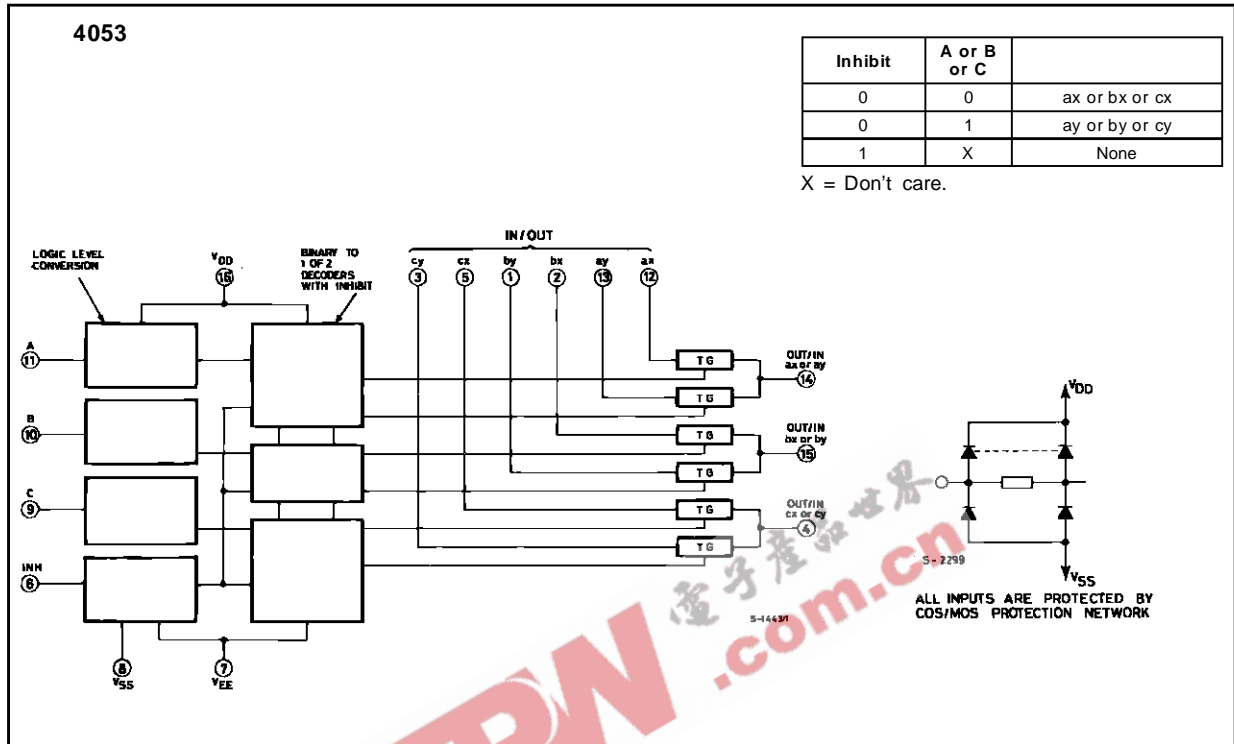
current. These multiplexer circuits dissipate extremely low quiescent power over the full $V_{DD} - V_{SS}$ and $V_{DD} - V_{EE}$ supply-voltage ranges, independent of the logic state of the control signals. When a logic "1" is present at the inhibit input terminal all channels are off. The **HCC/HCF4051B** is a single 8-channel multiplexer having three binary control inputs, A, B, and C, and an inhibit input. The three binary signals select 1 of 8 channels to be turned on, and connect one of the 8 inputs to the output. The **HCC/HCF4052B** is a differential 4-channel multi-

plexer having two binary control inputs, A and B, and an inhibit input. The two binary input signals select 1 of 4 pairs of channels to be turned on and connect the analog inputs to the outputs. The **HCC/HCF4053B** is a triple 2-channel multiplexer having three separate digital control inputs, A, B, and C, and an inhibit input. Each control input selects one of a pair of channels which are connected in a singlepole double-throw configuration.

FUNCTIONAL DIAGRAMS AND TRUTH TABLES



FUNCTIONAL DIAGRAMS AND TRUTH TABLES (continued)



ABSOLUTE MAXIMUM RATINGS

Symbol	Parameter	Value	Unit
V_{DD}^*	Supply Voltage : HCC Types HCF Types	- 0.5 to + 20 - 0.5 to + 18	V
V_i	Input Voltage	- 0.5 to $V_{DD} + 0.5$	V
I_I	DC Input Current (any one input)	± 10	mA
P_{tot}	Total Power Dissipation (per package) Dissipation per Output Transistor for T_{op} = Full Package-temperature Range	200 100	mW
T_{op}	Operating Temperature : HCC Types HCF Types	- 55 to + 125 - 40 to + 85	$^{\circ}C$
T_{stg}	Storage Temperature	- 65 to + 150	$^{\circ}C$

Stresses above those listed under "Absolute Maximum Ratings" may cause permanent damage to the device. This is a stress rating only and functional operation of the device at these or any other conditions above those indicated in the operational sections of this specification is not implied. Exposure to absolute maximum rating conditions for external periods may affect device reliability.

* All voltage values are referred to V_{SS} pin voltage.

RECOMMENDED OPERATING CONDITIONS

Symbol	Parameter	Value	Unit
V_{DD}	Supply Voltage : HCC Types HCF Types	3 to 18 3 to 15	V
V_i	Input Voltage	0 to V_{DD}	V
T_{op}	Operating Temperature : HCC Types HCF Types	- 55 to + 125 - 40 to + 85	$^{\circ}C$

HCC/HCF4051B/52B/53B

STATIC ELECTRICAL CHARACTERISTICS (over recommended operating conditions)

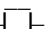
Symbol	Parameter		Test Conditions				Value						Unit										
			V _{IS} (V)	V _{EE} (V)	V _{SS} (V)	V _{DD} (V)	T _{Low} *		25 °C			T _{High} *											
							Min.	Max.	Min.	Typ.	Max.	Min.		Max.									
I _L	Quiescent Device Current	HCC Types				5		5		0.04	5		150										
						10		10		0.04	10		300										
						15		20		0.04	20		600										
						20		100		0.08	100		3000										
		HCF Types				5		20		0.04	20		150										
						10		40		0.04	40		300										
						15		80		0.04	80		600										
SWITCH																							
ON	Resistance	HCC Types	0 ≤ V _I ≤ V _{DD}	0	0	5		880		470	1050		1200										
						10		310		180	400		580										
						15		220		125	280		400										
		HCF Types				5		880		470	1050		1200										
						10		330		180	400		520										
						15		230		125	280		360										
ΔON	Resistance ΔR _{ON} (between any 2 channels)			0	0	5				10													
						10				10													
						15				5													
OFF (●) Channel Leakage Current	Any Channel OFF	HCC Types		0	0	18		100		± 0.1	100		1000	nA									
		HCC Types													0	0	18		100	± 0.1	100		1000
	HCF Types	0																					
	HCF Types														0	0	15		300	± 0.1	300		1000
C Capacitance	Input		- 5	- 5	5					5				pF									
	Output 4051											30											
	Output 4052											18											
	Output 4053											9											
	Feedthrough											0.2											
CONTROL (Address or Inhibit)																							
V _{IL}	Input Low Voltage		= V _{DD} Thru 1KΩ	V _{EE} = V _{SS} R _L = 1KΩ to V _{SS} I _{IS} < 2μA (on all off channels)	5		1.5			1.5		1.5		V									
					10		3			3		3											
					15		4			4		4											
V _{IH}	Input High Voltage				5	3.5		3.5			3.5		V										
					10	7		7			7												
					15	11		11			11												
I _{IH} , I _{IL}	Input Leakage Current	HCC Types	V _I = 0/18V		18		± 0.1		±10 ⁻³	± 0.1		± 1	μA										
		HCF Types												V _I = 0/15V	15		± 0.3		±10 ⁻³	± 0.3		± 1	
C _I	Input Capacitance		Any Address or Inhibit Input						5	7.5			pF										

(●) Determined by minimum feasible leakage measurement for automatic testing.

(*) T_{Low} = - 55°C for **HCC** device : - 40°C for **HCF** device.

(*) T_{High} = + 125°C for **HCC** device : + 85°C for **HCF** device.

DYNAMIC ELECTRICAL CHARACTERISTICS(T_{amb} = 25°C, C_L = 50pF all input square wave rise and fall time = 20ns)

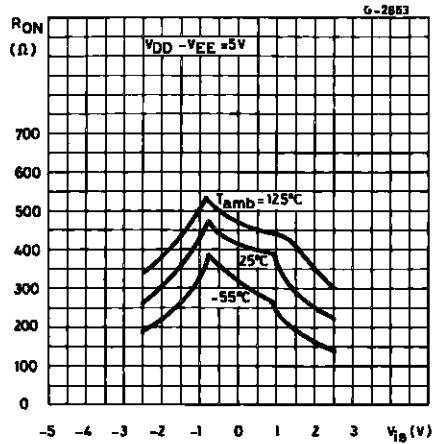
Parameter	Test Conditions						Value		Unit	
	V _{EE} (V)	R _L (kΩ)	f _i (kHz)	V _{IS} (V)	V _{SS} (V)	V _{DD} (V)	Typ.	Max.		
SWITCH										
t _{pd} Propagation Delay Time (signal input to output)		200		10 V 		5 10 15		30 15 11	30 60 20	ns
Frequency Response Channel "ON" (sine wave input) at 20 Log $\frac{V_o}{V_i} = -3\text{dB}$	= V _{SS}	1		5 (●)		10	V _o at Common OUT/IN 4053B 4052B 4051B V _o at any Channel	30 25 20 60		MHz
Feedthrough (all channels OFF) at 20 Log $\frac{V_o}{V_i} = -40\text{dB}$	= V _{SS}	1		5 (●)		10	V _o at Common OUT/IN 4053 4052 4051 V _o at any Channel	8 10 12 8		MHz
Frequency Signal Crosstalk at 20 Log $\frac{V_o}{V_i} = -40\text{dB}$	= V _{SS}	1		5 (●)		10	Between any 2 Channels Between Sections 4052B only Between any 2 Sections 4053B only	measured on common measured on any channel in Pin 2 out Pin 14 in Pin 15 out Pin 14	3 6 10 2.5 6	MHz MHz
Sine Wave Distortion f _{is} = 1kHz Sine Wave	= V _{SS}	10	1	2 (●) 3 (●) 5 (●)		5 10 15		0.3 0.2 0.12		%
CONTROL (Address or Inhibit)										
Propagation Delay Time : Address-to Signal OUT Channels ON or OFF	0 0 0 - 5					0 0 0 0	5 10 15 5	360 160 120 225	720 320 240 450	ns
Propagation Delay Time : Inhibit to Signal OUT (channel turning ON)	0 0 0 - 10	10				0 0 0 0	5 10 15 5	360 160 120 200	720 320 240 400	ns
Propagation Delay Time : Inhibit to Signal OUT (channel turning OFF)	0 0 0 - 10	0.3					5 10 15 5	200 90 70 130	450 210 160 300	ns
Address or Inhibit to Signal Crosstalk	0	10*				0	10	V _C = V _{DD} -V _{SS} (square wave)	65	mV peak

(●) Peak to peak voltage symmetrical about $\frac{V_{DD}-V_{EE}}{2}$

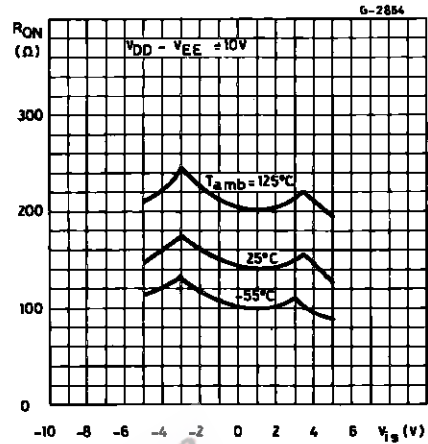
(*) Both ends of channel.

HCC/HCF4051B/52B/53B

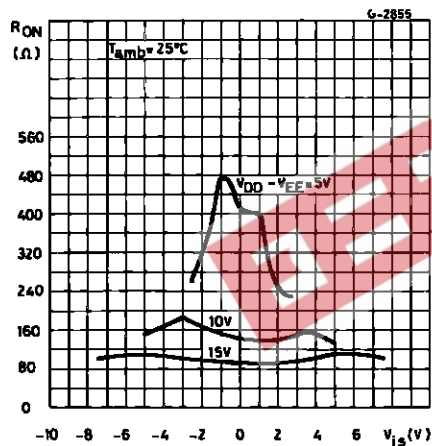
Typical Channel ON Resistance vs. Input Signal Voltage (all types).



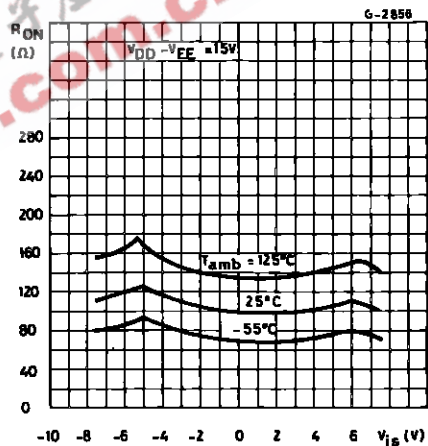
Typical Channel ON Resistance vs. Input Signal Voltage (all types).



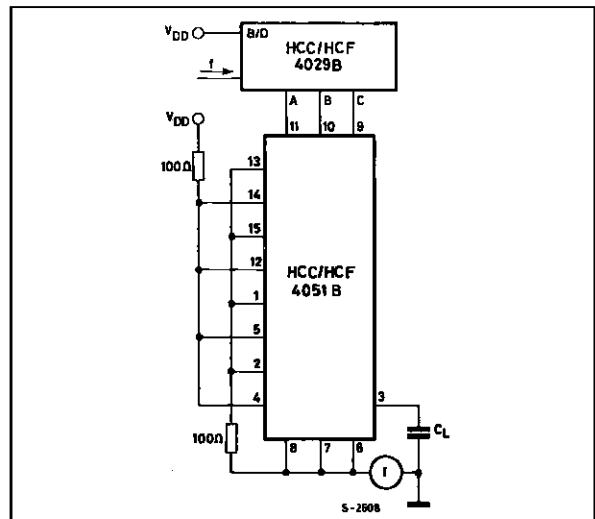
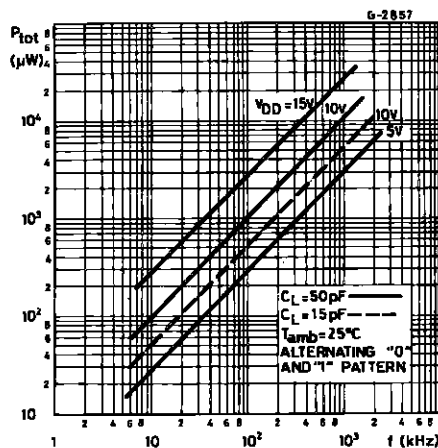
Typical Channel ON Resistance vs. Input Signal Voltage (all types).



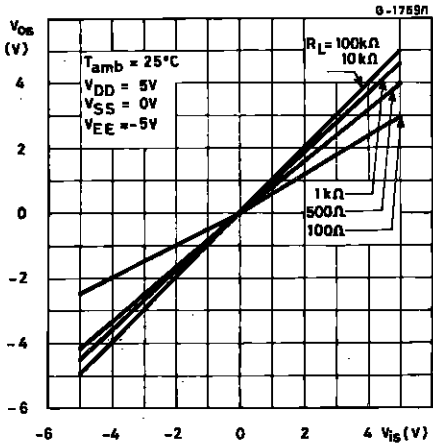
Typical Channel ON Resistance vs. Input Signal Voltage (all types).



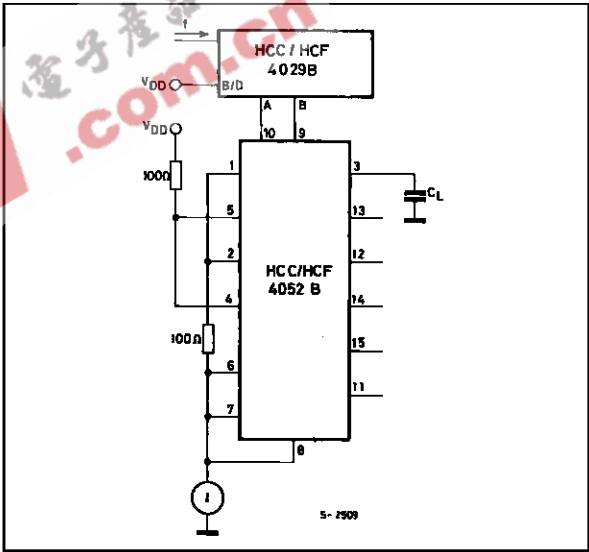
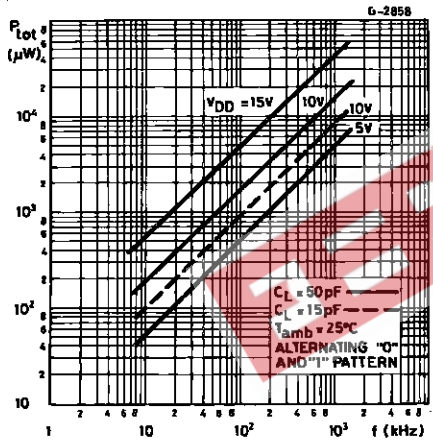
Typical Dynamic Power Dissipation/Package vs. Switching Frequency and Test Circuit (4051B).



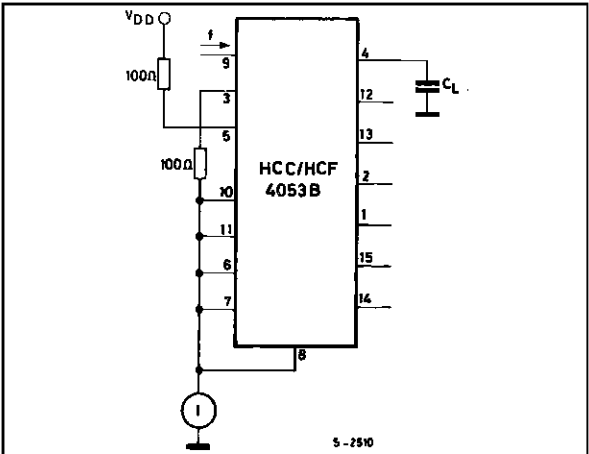
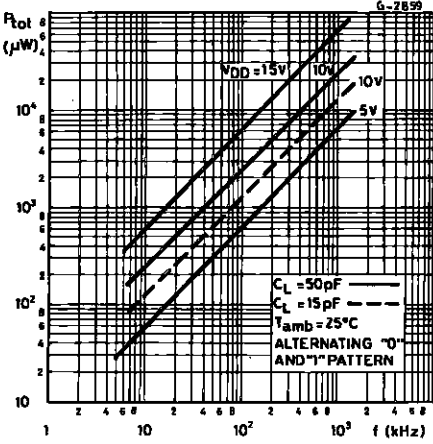
Typical ON Characteristics for 1 of 8 Channels (4051B).



Typical Dynamic Power Dissipation/Package vs. Switching Frequency and Test Circuit (4052B).



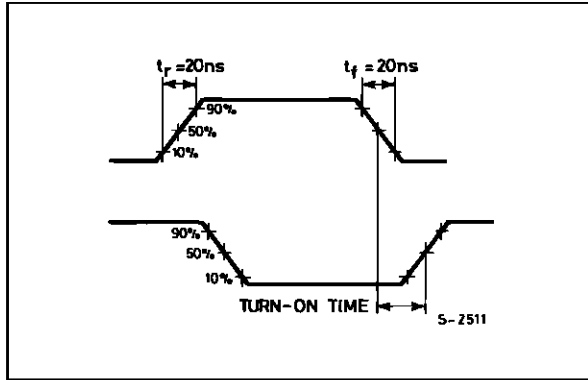
Typical Dynamic Power Dissipation/Package vs. Switching Frequency and Test Circuit (4053B).



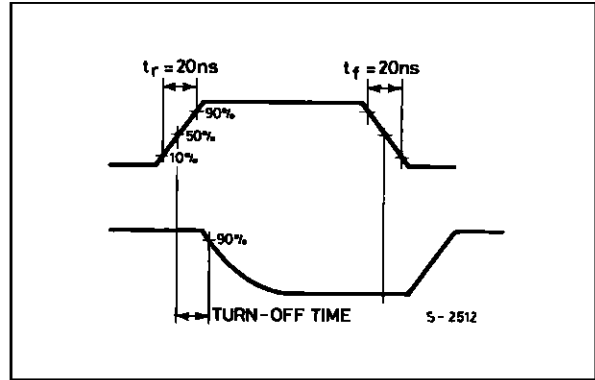
HCC/HCF4051B/52B/53B

WAVEFORMS

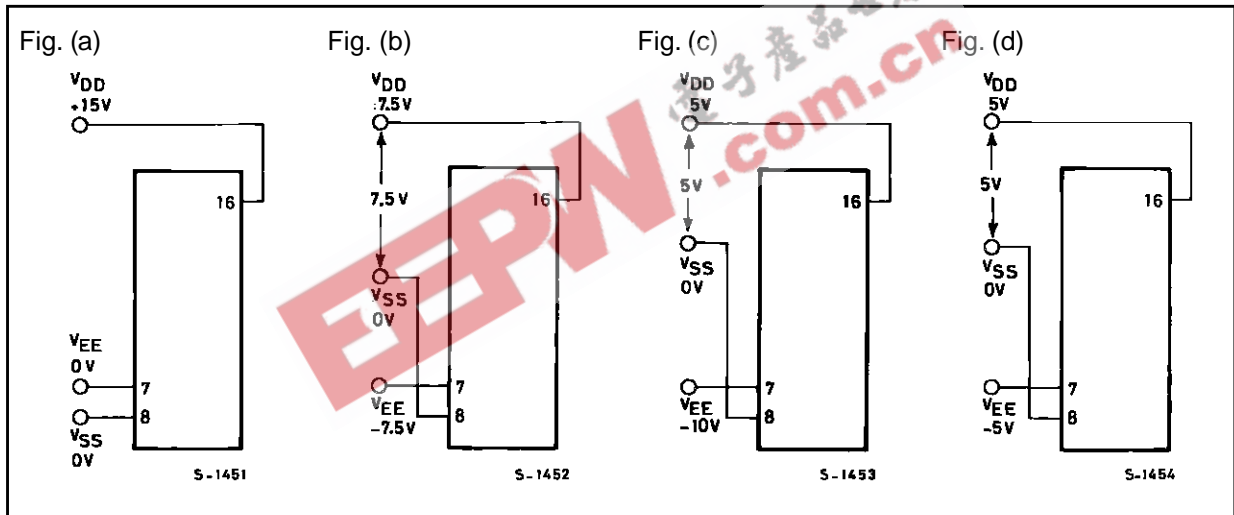
Channel Being Turned ON ($R_L = 10K\Omega$).



Channel Being Turned OFF ($R_L = 300K\Omega$).



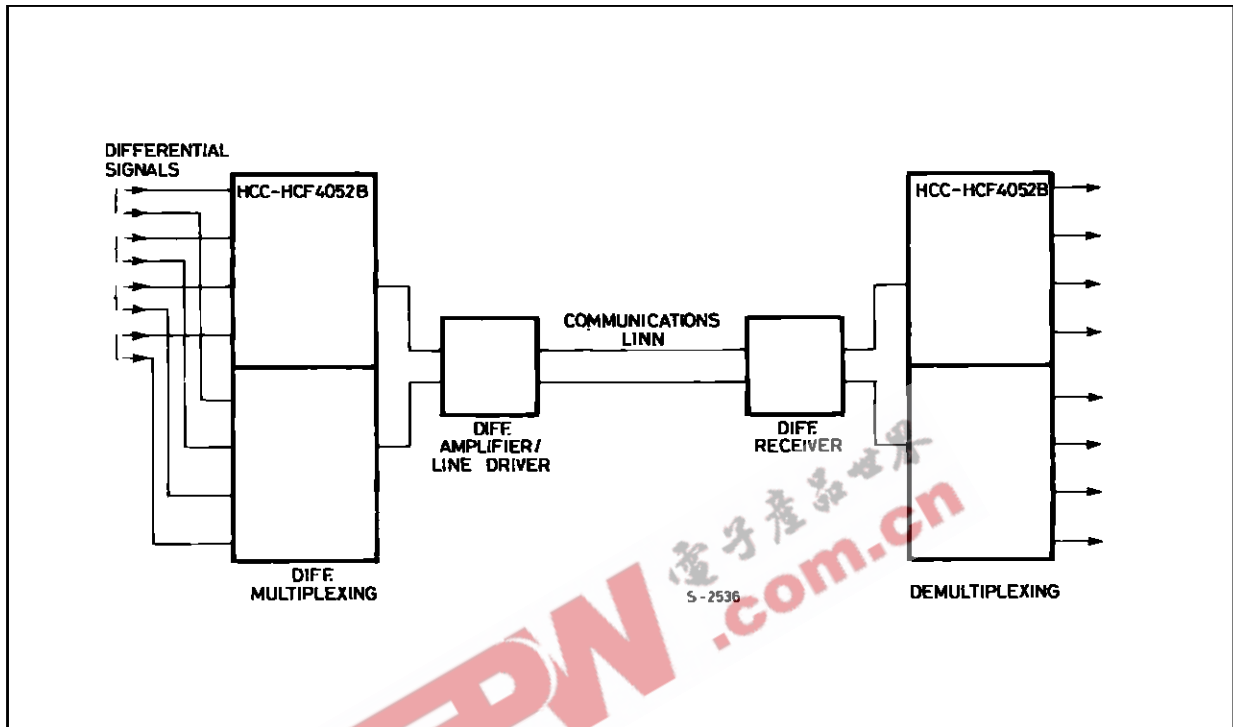
TYPICAL BIAS VOLTAGES



The ADDRESS (digital-control inputs) and INHIBIT logic levels are : "0"= V_{SS} and "1"= V_{DD} . The analog signal (through the TG) may swing from V_{EE} to V_{DD} .

TYPICAL APPLICATIONS

TYPICAL TIME-DIVISION APPLICATION OF THE 4052B



SPECIAL CONSIDERATIONS

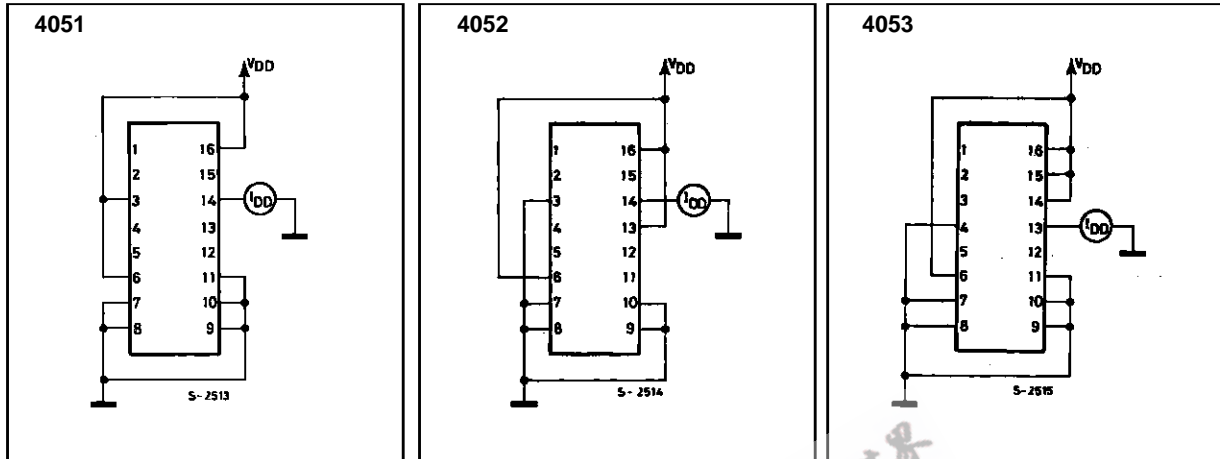
Control of analog signals up to 20V peak-to-peak can be achieved by digital signal amplitudes of 4.5 to 20V (if $V_{DD} - V_{SS} = 3V$, a $V_{DD} - V_{EE}$ of up to 13V can be controlled ; for $V_{DD} - V_{EE}$ level differences above 13V, a $V_{DD} - V_{SS}$ of at least 4.5V is required). For example, if $V_{DD} = +5V$, $V_{SS} = 0$, and $V_{EE} = -13.5V$, analog signals from $-13.5V$ to $+4.5V$ can be controlled by digital inputs of 0 to 4.5V. In certain applications, the external load-resistor current may include both V_{DD} and signal-line components. To

avoid drawing V_{DD} current when switch current flows into the transmission gate inputs, the voltage drop across the bidirectional switch must not exceed 0,8 volt (valuated from R_{ON} values shown in ELECTRICAL CHARACTERISTICS CHART). No V_{DD} current will flow through R_L if the switch current flows into lead 3 on the **HCC/HCF4051** ; leads 3 and 13 on the **HCC/HCF4052** ; leads 4, 14, and 15 on the **HCC/HCF4053**.

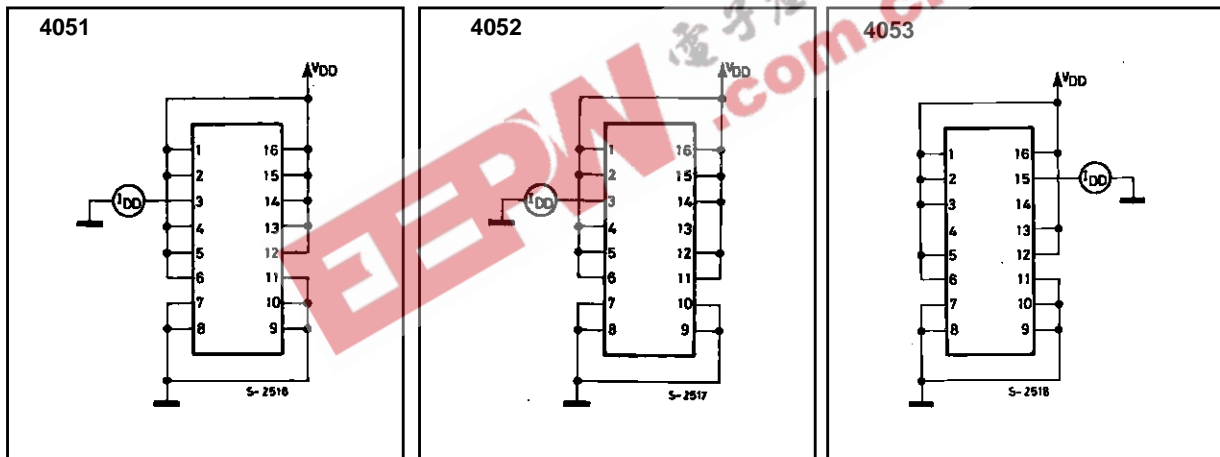
HCC/HCF4051B/52B/53B

TEST CIRCUITS

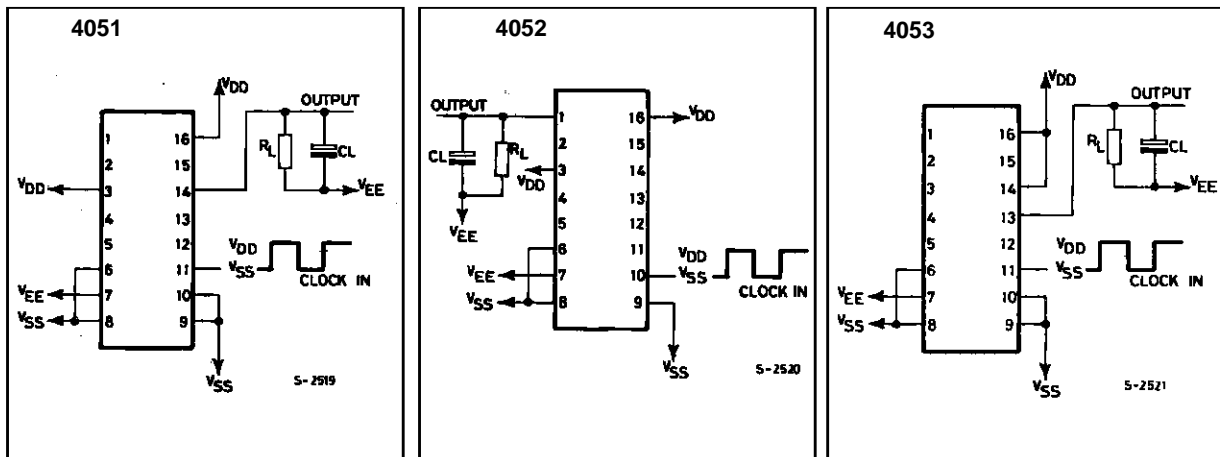
Off Channel Leakage Current-any Channel OFF.



Off Channel Leakage Current-all Channel OFF.

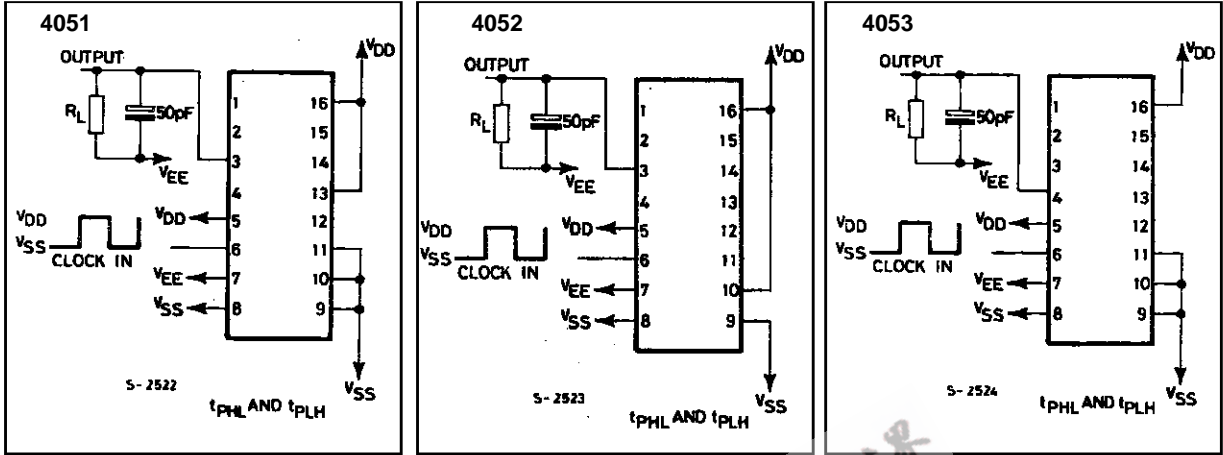


Propagation Delay-address Input to Signal Output.

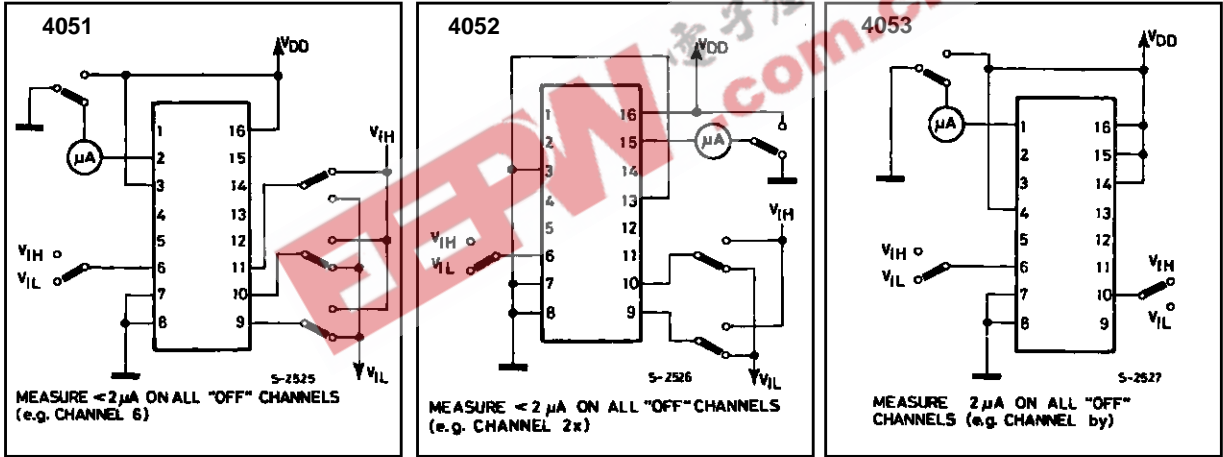


TEST CIRCUITS (continued)

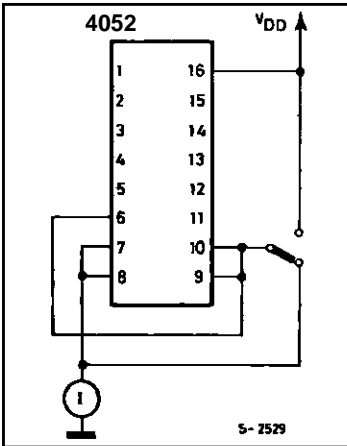
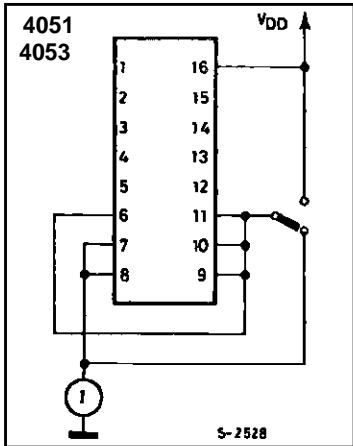
Propagation Delay-Inhibit Input to Signal Output.



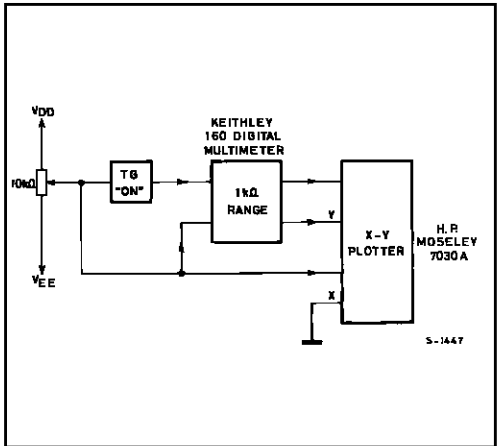
Input Voltage.



Quiescent Device Current.



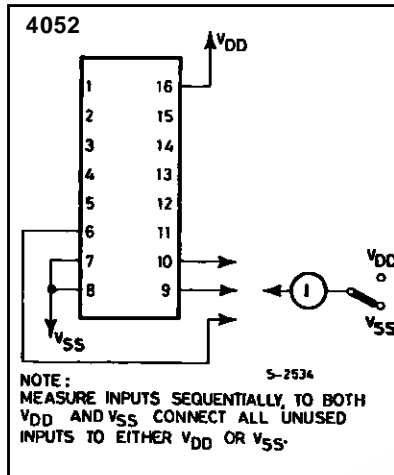
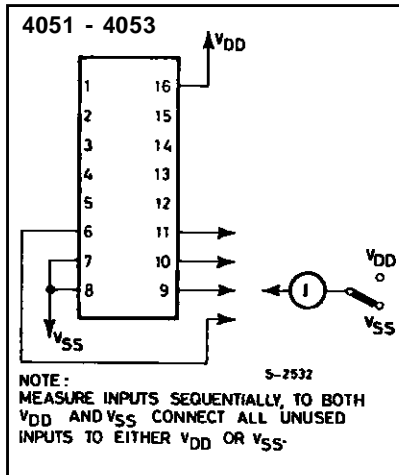
Channel ON Resistance Measurement Circuit.



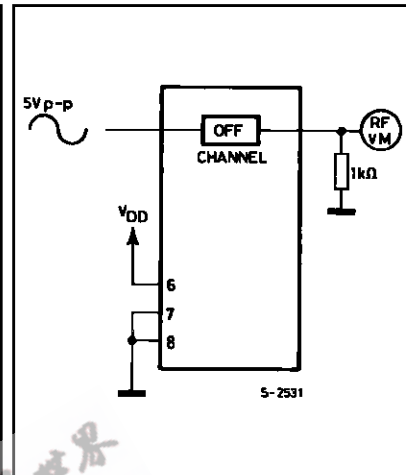
HCC/HCF4051B/52B/53B

TEST CIRCUITS (continued)

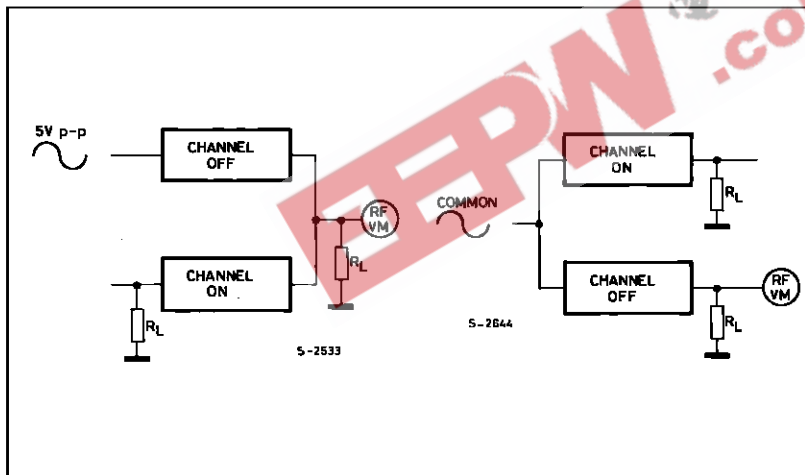
Input Current.



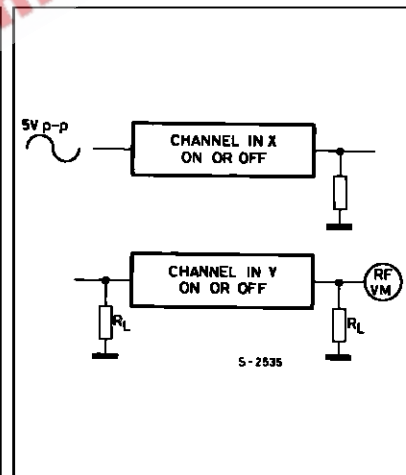
Feedthrough (All Types).



Crosstalk Between any two Channels (All Types).

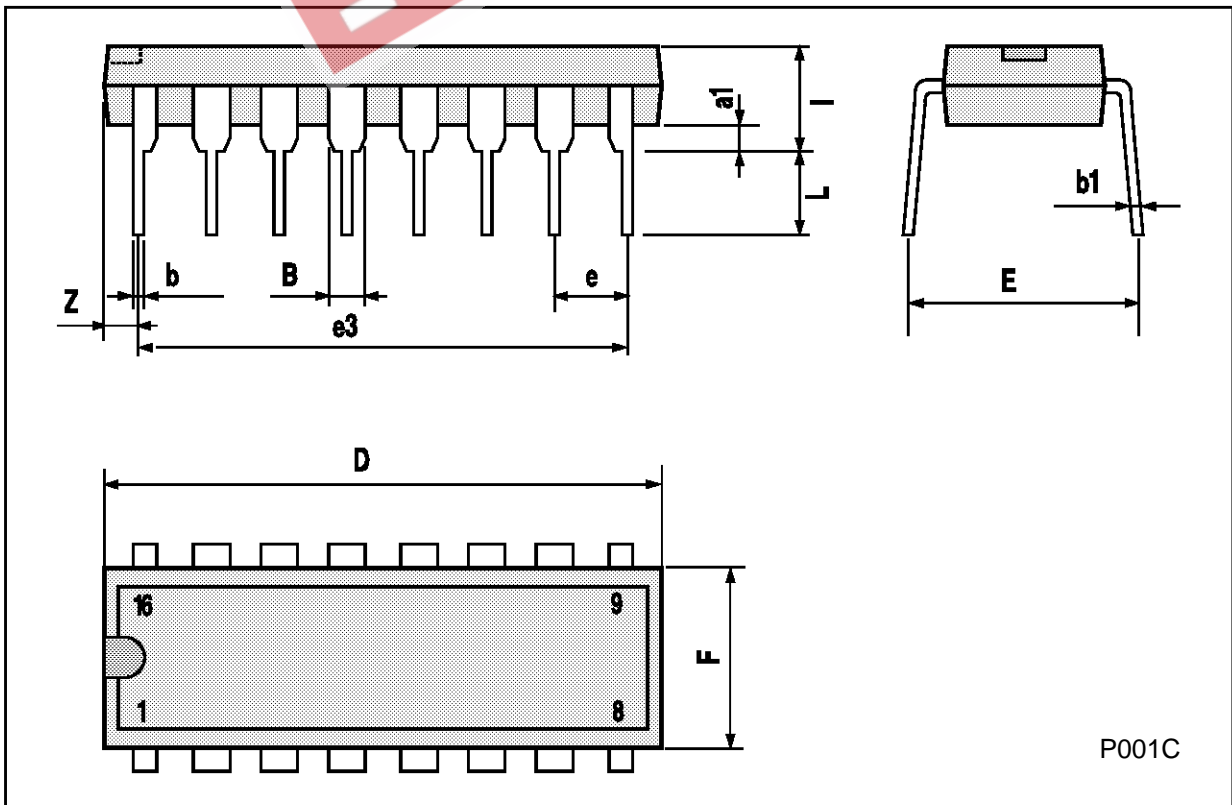


Crosstalk Between Duals or Triplets (4052-4053).



Plastic DIP16 (0.25) MECHANICAL DATA

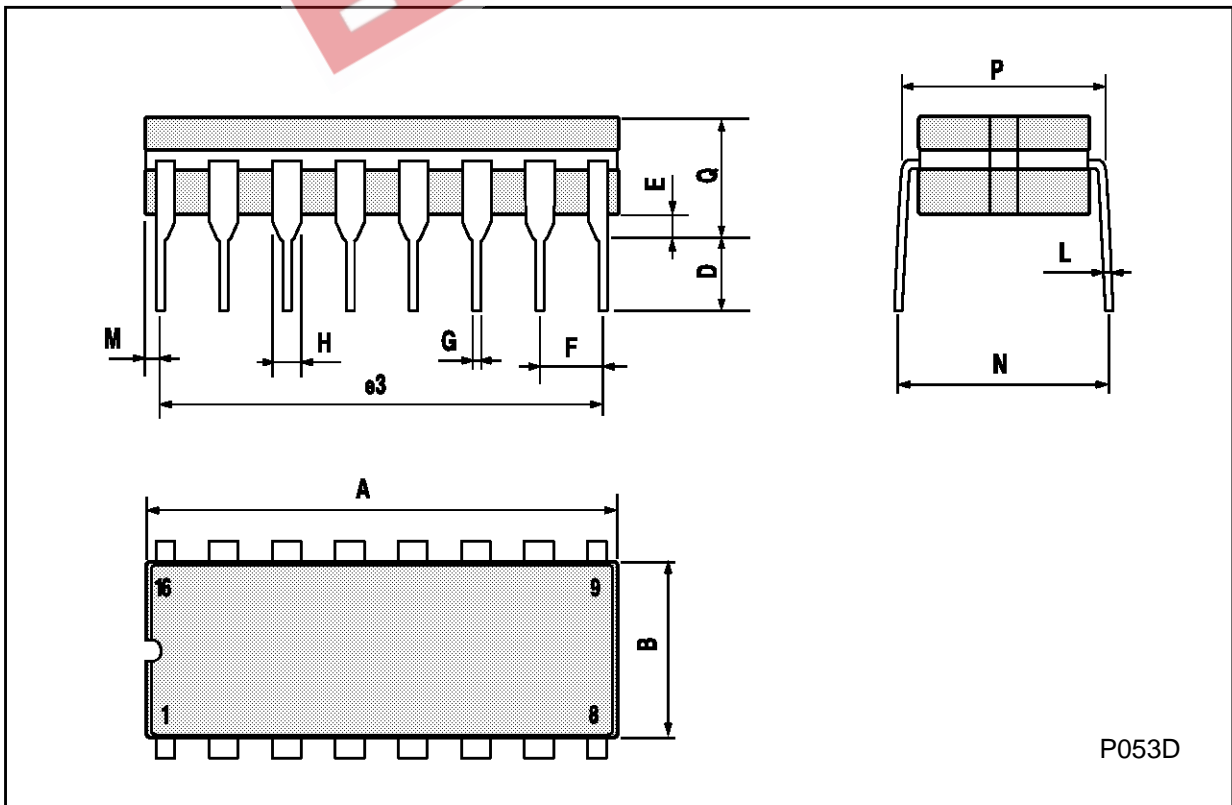
DIM.	mm			inch		
	MIN.	TYP.	MAX.	MIN.	TYP.	MAX.
a1	0.51			0.020		
B	0.77		1.65	0.030		0.065
b		0.5			0.020	
b1		0.25			0.010	
D			20			0.787
E		8.5			0.335	
e		2.54			0.100	
e3		17.78			0.700	
F			7.1			0.280
I			5.1			0.201
L		3.3			0.130	
Z			1.27			0.050



HCC/HCF4051B/52B/53B

Ceramic DIP16/1 MECHANICAL DATA

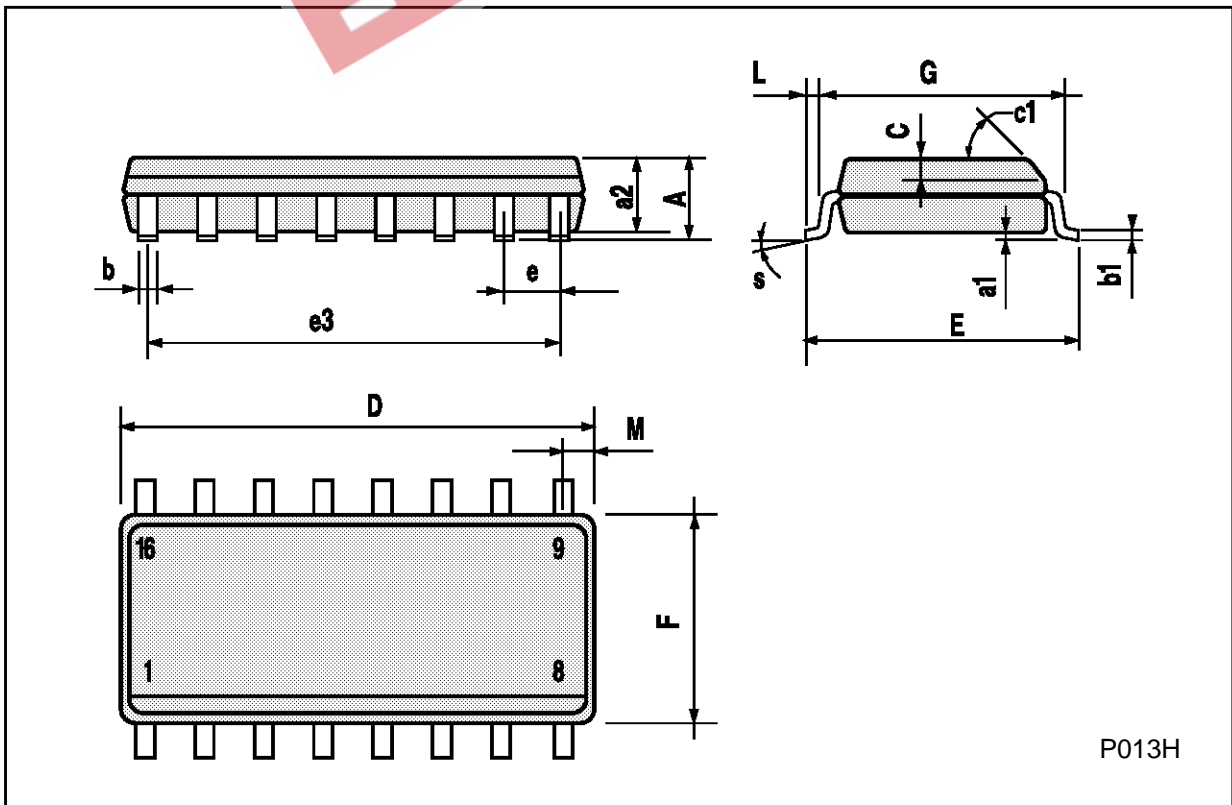
DIM.	mm			inch		
	MIN.	TYP.	MAX.	MIN.	TYP.	MAX.
A			20			0.787
B			7			0.276
D		3.3			0.130	
E	0.38			0.015		
e3		17.78			0.700	
F	2.29		2.79	0.090		0.110
G	0.4		0.55	0.016		0.022
H	1.17		1.52	0.046		0.060
L	0.22		0.31	0.009		0.012
M	0.51		1.27	0.020		0.050
N			10.3			0.406
P	7.8		8.05	0.307		0.317
Q			5.08			0.200



P053D

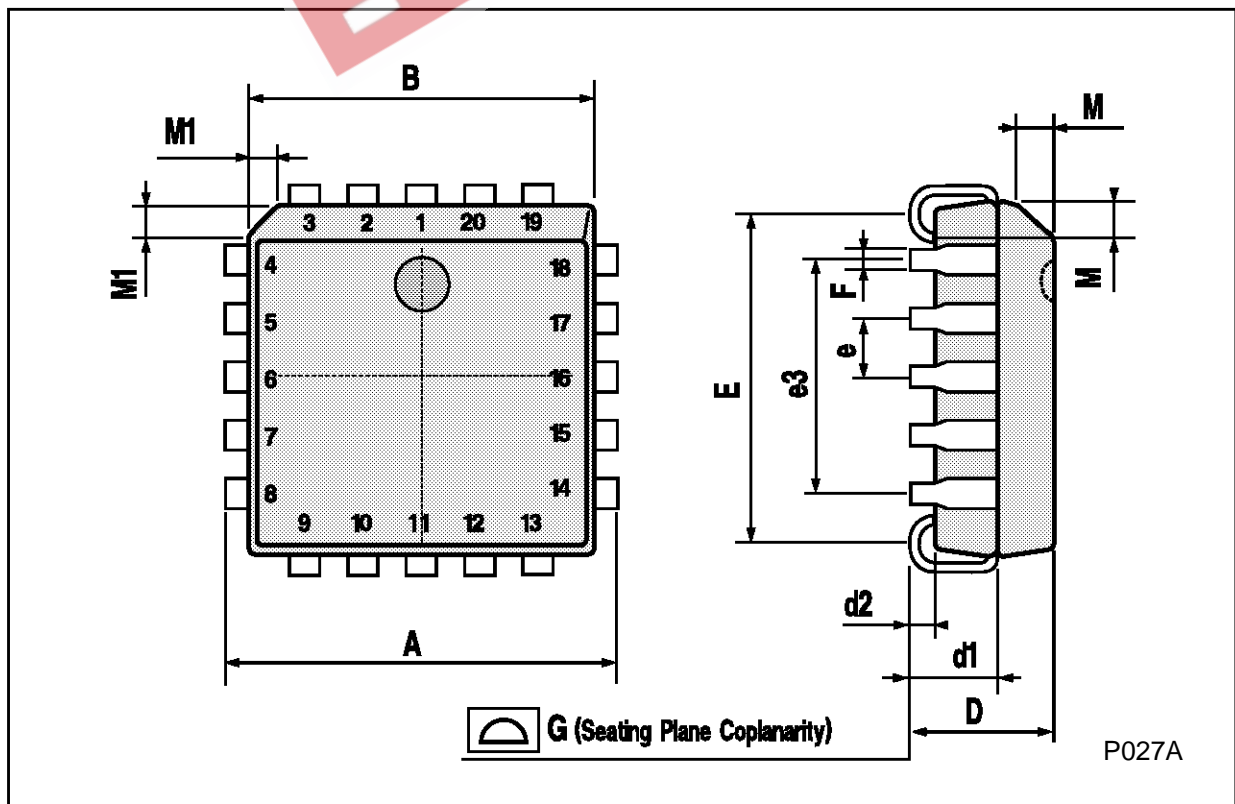
SO16 (Narrow) MECHANICAL DATA

DIM.	mm			inch		
	MIN.	TYP.	MAX.	MIN.	TYP.	MAX.
A			1.75			0.068
a1	0.1		0.2	0.004		0.007
a2			1.65			0.064
b	0.35		0.46	0.013		0.018
b1	0.19		0.25	0.007		0.010
C		0.5			0.019	
c1	45° (typ.)					
D	9.8		10	0.385		0.393
E	5.8		6.2	0.228		0.244
e		1.27			0.050	
e3		8.89			0.350	
F	3.8		4.0	0.149		0.157
G	4.6		5.3	0.181		0.208
L	0.5		1.27	0.019		0.050
M			0.62			0.024
S	8° (max.)					



PLCC20 MECHANICAL DATA

DIM.	mm			inch		
	MIN.	TYP.	MAX.	MIN.	TYP.	MAX.
A	9.78		10.03	0.385		0.395
B	8.89		9.04	0.350		0.356
D	4.2		4.57	0.165		0.180
d1		2.54			0.100	
d2		0.56			0.022	
E	7.37		8.38	0.290		0.330
e		1.27			0.050	
e3		5.08			0.200	
F		0.38			0.015	
G			0.101			0.004
M		1.27			0.050	
M1		1.14			0.045	



EEPW 电子產品世界
.com.cn

Information furnished is believed to be accurate and reliable. However, SGS-THOMSON Microelectronics assumes no responsibility for the consequences of use of such information nor for any infringement of patents or other rights of third parties which may result from its use. No license is granted by implication or otherwise under any patent or patent rights of SGS-THOMSON Microelectronics. Specifications mentioned in this publication are subject to change without notice. This publication supersedes and replaces all information previously supplied. SGS-THOMSON Microelectronics products are not authorized for use as critical components in life support devices or systems without express written approval of SGS-THOMSON Microelectronics.

© 1994 SGS-THOMSON Microelectronics - All Rights Reserved

SGS-THOMSON Microelectronics GROUP OF COMPANIES

Australia - Brazil - France - Germany - Hong Kong - Italy - Japan - Korea - Malaysia - Malta - Morocco - The Netherlands -
Singapore - Spain - Sweden - Switzerland - Taiwan - Thailand - United Kingdom - U.S.A