

H11G1X, H11G2X, H11G3X
H11G1, H11G2, H11G3



**HIGH VOLTAGE DARLINGTON
 OUTPUT OPTICALLY COUPLED
 ISOLATOR**

APPROVALS

- UL recognised, File No. E91231

'X' SPECIFICATION APPROVALS

- VDE 0884 in 2 available lead forms : -
 - STD
 - G form

DESCRIPTION

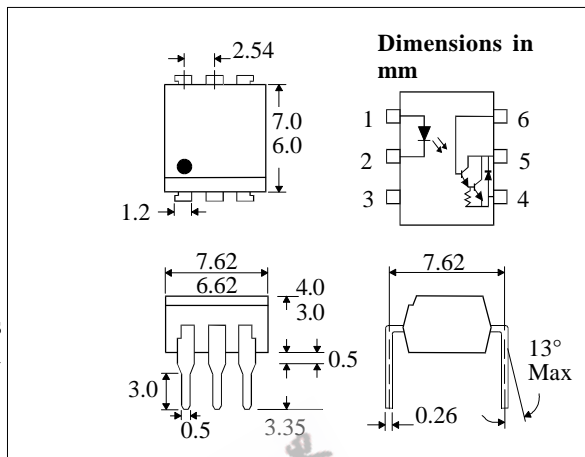
The H11G_ series are optically coupled isolators consisting of an infrared light emitting diode and a high voltage NPN silicon photo darlington which has an integral base-emitter resistor to optimise switching speed and elevated temperature characteristics in a standard 6pin dual in line plastic package.

FEATURES

- Options :-
 10mm lead spread - add G after part no.
 Surface mount - add SM after part no.
 Tape&reel - add SMT&R after part no.
- High Isolation Voltage (5.3kV_{RMS}, 7.5kV_{PK})
- High Current Transfer Ratio (1000% min)
- High BV_{CEO} (H11G1 - 100V min.)
- Low collector dark current :-
 100nA max. at 80V V_{CE}
- Low input current 1mA I_F

APPLICATIONS

- Modems
- Copiers, facsimiles
- Numerical control machines
- Signal transmission between systems of different potentials and impedances



**ABSOLUTE MAXIMUM RATINGS
 (25°C unless otherwise specified)**

Storage Temperature	-55°C to + 150°C
Operating Temperature	-55°C to + 100°C
Lead Soldering Temperature (1/16 inch (1.6mm) from case for 10 secs)	260°C

INPUT DIODE

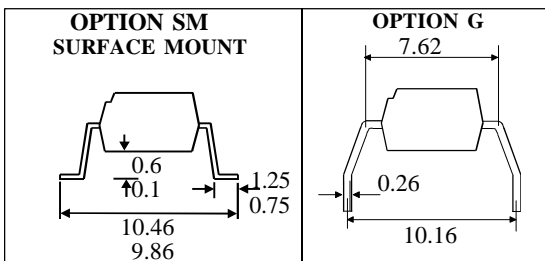
Forward Current	60mA
Peak Forward Current (1µs pulse, 300pps)	3A
Reverse Voltage	3V
Power Dissipation	100mW

OUTPUT TRANSISTOR

Collector-emitter Voltage BV _{CEO} H11G3, H11G2, H11G1	55, 80, 100V
Collector-base Voltage BV _{CBO} H11G3, H11G2, H11G1	55, 80, 100V
Emitter-base Voltage BV _{ECO}	6V
Power Dissipation	200mW

POWER DISSIPATION

Total Power Dissipation	260mW
-------------------------	-------



ISOCOMCOMPONENTSLTD
 Unit 25B, Park View Road West,
 Park View Industrial Estate, Brenda Road
 Hartlepool, TS25 1YD England Tel: (01429)863609
 Fax: (01429) 863581 e-mail sales@isocom.co.uk
<http://www.isocom.com>

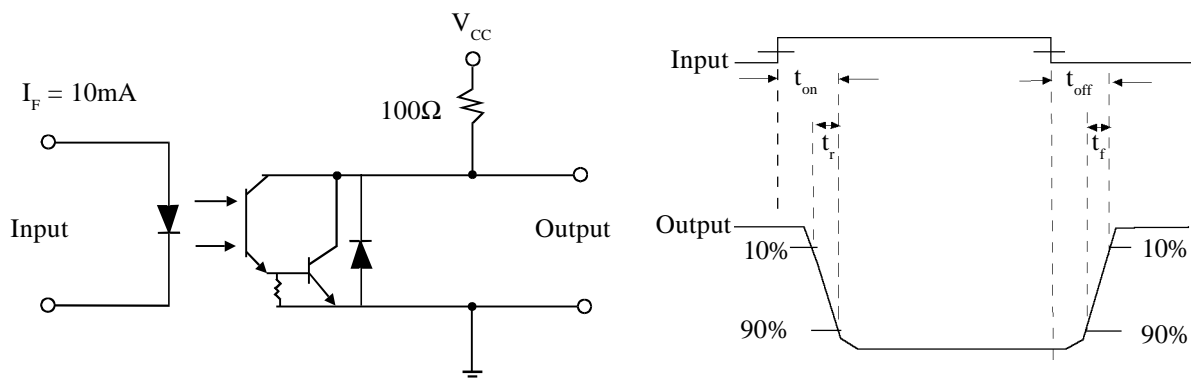
ELECTRICAL CHARACTERISTICS ($T_A = 25^\circ\text{C}$ Unless otherwise noted)

PARAMETER		MIN	TYP	MAX	UNITS	TEST CONDITION
Input	Forward Voltage (V_F)		1.2	1.5	V	$I_F = 10\text{mA}$
	Reverse Voltage (V_R)	3			V	$I_R = 10\mu\text{A}$
	Reverse Current (I_R)			10	μA	$V_R = 6\text{V}$
Output	Collector-emitter Breakdown (BV_{CEO})					
	H11G1	100			V	$I_C = 1\text{mA}$
	H11G2	80			V	$I_C = 1\text{mA}$
	H11G3	55			V	$I_C = 1\text{mA}$
	Collector-base Breakdown (BV_{CBO})					
	H11G1	100			V	$I_C = 100\mu\text{A}$
	H11G2	80			V	$I_C = 100\mu\text{A}$
	H11G3	55			V	$I_C = 100\mu\text{A}$
	Emitter-base Breakdown (BV_{EBO})	6			V	$I_E = 0.1\text{mA}$
	Collector-emitter Dark Current (I_{CEO})					
H11G1			100	nA	$V_{CE} = 80\text{V}$	
H11G2			100	nA	$V_{CE} = 60\text{V}$	
H11G3			100	nA	$V_{CE} = 30\text{V}$	
Coupled	Collector Output Current (I_C)					
	H11G1,H11G2	100			mA	$10\text{mA } I_F, 1.2\text{V } V_{CE}$
	H11G1,H11G2	5			mA	$1\text{mA } I_F, 5\text{V } V_{CE}$
	H11G3	2			mA	$1\text{mA } I_F, 5\text{V } V_{CE}$
	Collector-emitter Saturation Voltage $V_{CE(SAT)}$					
	H11G1,H11G2			1.0	V	$1\text{mA } I_F, 1\text{mA } I_C$
	H11G1,H11G2			1.2	V	$16\text{mA } I_F, 50\text{mA } I_C$
	H11G3			1.2	V	$20\text{mA } I_F, 50\text{mA } I_C$
	Input to Output Isolation Voltage V_{ISO}	5300				See note 1
		7500			V_{RMS}	See note 1
Input-output Isolation Resistance R_{ISO}	10^{11}			V_{PK}	$V_{IO} = 500\text{V}$ (note 1)	
Input-output Capacitance C_f		0.5		Ω	$V = 0, f = 1\text{MHz}$	
Turn-on Time t_{on}		5		pF	$I_F = 10\text{mA}, V_{CC} = 5\text{V},$	
Turn-off Time t_{off}		100		μs	$R_L = 100\Omega, f = 30\text{Hz},$	
					pulse width equal to or less than $300\mu\text{s}$	

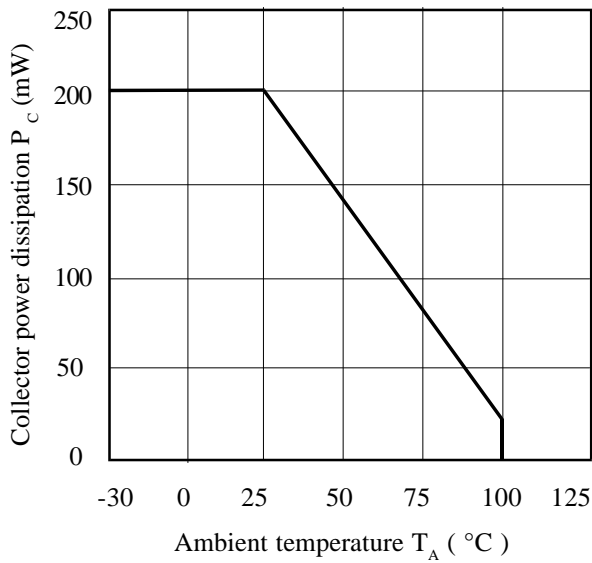
Note 1 Measured with input leads shorted together and output leads shorted together.

Note 2 Special Selections are available on request. Please consult the factory.

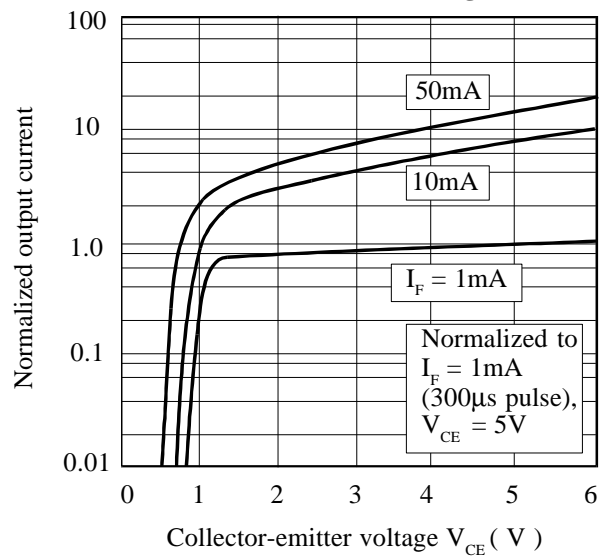
FIGURE 1



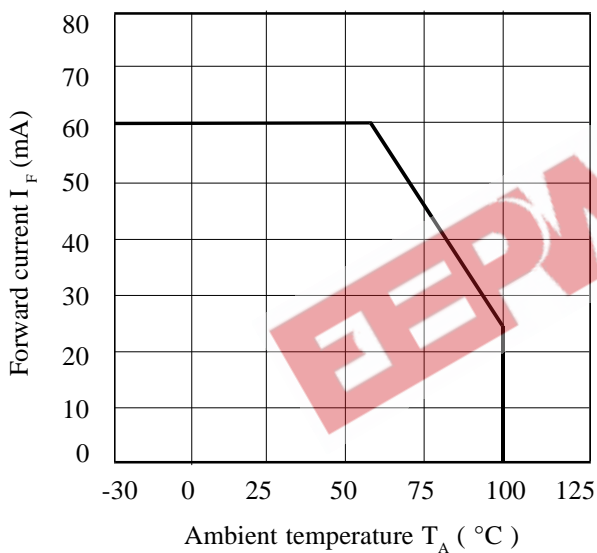
Collector Power Dissipation vs. Ambient Temperature



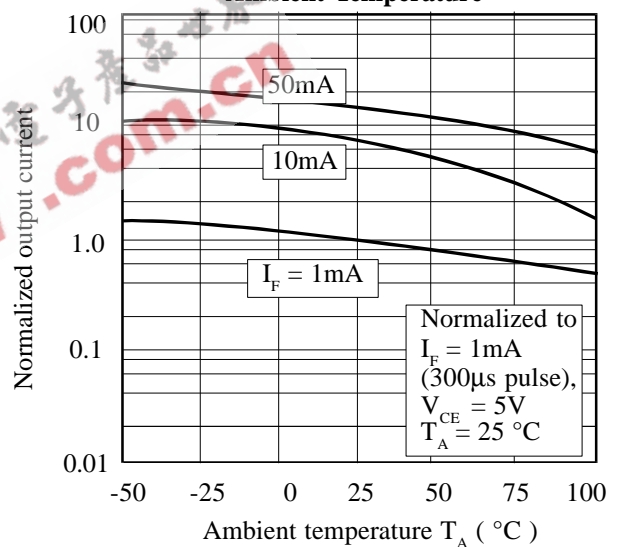
Normalized Output Current vs. Collector-emitter Voltage



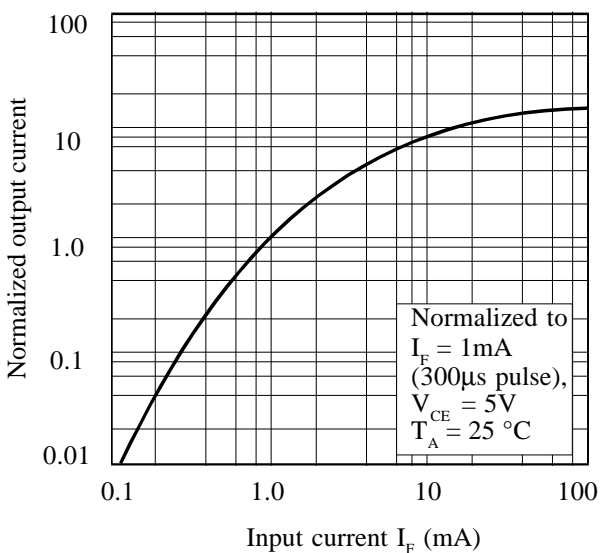
Forward Current vs. Ambient Temperature



Normalized Output Current vs. Ambient Temperature



Normalized Output Current vs. Input Current



Collector Dark Current vs. Ambient Temperature

