



Integrated
Circuit
Systems, Inc.

ADVANCE INFORMATION

ICS843101-312

FEMTOCLOCKS™ CRYSTAL-TO-LVPECL 312.5MHz FREQUENCY MARGINING SYNTHESIZER

GENERAL DESCRIPTION

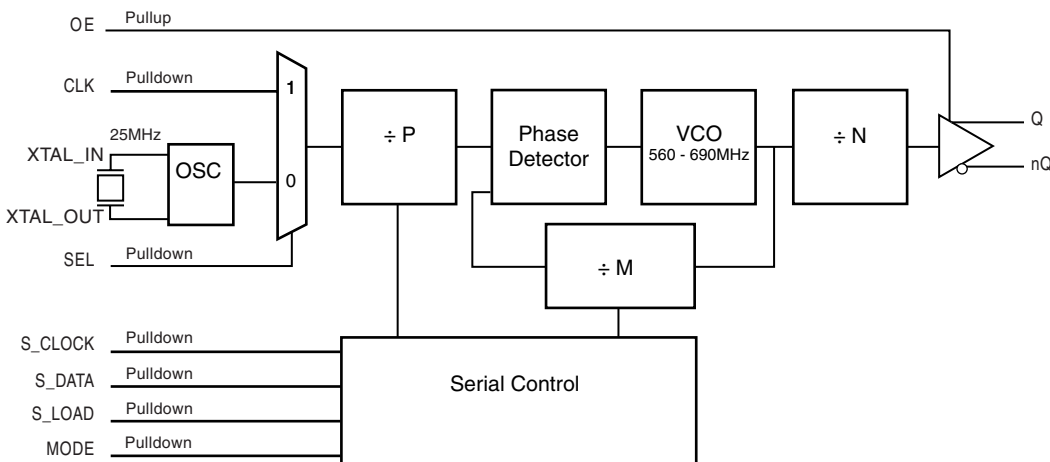


The ICS843101-312 is a low phase-noise frequency margining synthesizer with frequency margining capability and is a member of the HiPerClockSTM family of high performance clock solutions from ICS. In the default mode, the device nominally generates a 312.5MHz LVPECL output clock signal from a 25MHz crystal input. There is also a frequency margining mode available where the device can be programmed, using the serial interface, to vary the output frequency up or down from nominal in 2% steps. The ICS843101-312 is provided in a 16-pin TSSOP.

FEATURES

- One 312.5MHz nominal LVPECL output
- Selectable crystal oscillator interface designed for 25MHz, 18pF parallel resonant crystal or LVCMOS single-ended input
- Output frequency can be varied in 2% steps \pm from nominal
- VCO range: 560MHz - 690MHz
- RMS phase jitter @ 312.5MHz, using a 25MHz crystal (1.875MHz-20MHz): <1ps (typical) design target
- Output supply modes
Core/Output
3.3V/3.3V
3.3V/2.5V
2.5V/2.5V
- 0°C to 70°C ambient operating temperature
- Available in both standard and lead-free RoHS-complaint packages

BLOCK DIAGRAM



PIN ASSIGNMENT

| | | | |
|---------|---|----|----------|
| VEE | 1 | 16 | MODE |
| S_LOAD | 2 | 15 | Vcco |
| S_DATA | 3 | 14 | Q |
| S_CLOCK | 4 | 13 | nQ |
| SEL | 5 | 12 | VEE |
| OE | 6 | 11 | CLK |
| Vcca | 7 | 10 | XTAL_OUT |
| Vcc | 8 | 9 | XTAL_IN |

ICS843101-312

16-Lead TSSOP

4.4mm x 5.0mm x 0.92mm
package body

G Package

Top View

The Advance Information presented herein represents a product currently in design or being considered for design. The noted characteristics are design targets. Integrated Circuit Systems, Incorporated (ICS) reserves the right to change any circuitry or specifications without notice.



Integrated
Circuit
Systems, Inc.

ADVANCE INFORMATION

ICS843101-312 FEMTOCLOCKS™ CRYSTAL-TO-LVPECL 312.5MHz FREQUENCY MARGINING SYNTHESIZER

FUNCTIONAL DESCRIPTION

The ICS843101-312 features a fully integrated PLL and therefore requires no external components for setting the loop bandwidth. A 25MHz fundamental crystal is used as the input to the on chip oscillator. The output of the oscillator is fed into the pre-divider. In frequency margining mode, the 25MHz crystal frequency is divided by 2 and a 12.5MHz reference frequency is applied to the phase detector. The VCO of the PLL operates over a range of 560MHz to 690MHz. The output of the M divider is also applied to the phase detector.

The default mode for the ICS843101-312 is 312.5MHz output frequency using a 25MHz crystal. The output frequency can be changed by placing the device into the margining mode using the mode pin and using the serial interface to program the M feedback divider. Frequency margining mode operation occurs when the MODE input is HIGH. The phase detector and the M divider force the VCO output frequency to be M times the reference fre-

quency by adjusting the VCO control voltage. Note that for some values of M (either too high or too low), the PLL will not achieve lock. The output of the VCO is scaled by an output divider prior to being sent to the LVPECL output buffer. The divider provides a 50% output duty cycle. The relationship between the crystal input frequency, the M divider, the VCO frequency and the output frequency is provided in Table 1. When changing back from frequency margining mode to nominal mode, the device will return to the default nominal configuration that will provide 312.5 MHz output frequency.

Serial operation occurs when S_LOAD is HIGH. Serial data can be loaded in either the default mode or the frequency margining mode. The 6-bit shift register is loaded by sampling the S_DATA bits with the rising edge of S_CLOCK. After shifting in the 6-bit M divider value, S_LOAD is transitioned from HIGH to LOW which latches the contents of the shift-register into the M divider control register. When S_LOAD is LOW, any transitions of S_CLOCK or S_DATA are ignored.

TABLE 1. FREQUENCY MARGIN FUNCTION TABLE

| XTAL (MHz) | Pre-Divider (P) | Reference Frequency (MHz) | Feedback Divider (M) | M-Data (Binary) | VCO (MHz) | Output Divider (N) | Output Frequency (MHz) | % Change |
|------------|-----------------|---------------------------|----------------------|-----------------|-----------|--------------------|------------------------|----------|
| 25 | 2 | 12.5 | 45 | 101101 | 562.5 | 2 | 281.25 | -10.0 |
| 25 | 2 | 12.5 | 46 | 101110 | 575 | 2 | 287.5 | -8.0 |
| 25 | 2 | 12.5 | 47 | 101111 | 587.5 | 2 | 293.75 | -6.0 |
| 25 | 2 | 12.5 | 48 | 110000 | 600 | 2 | 300 | -4.0 |
| 25 | 2 | 12.5 | 49 | 110001 | 612.5 | 2 | 306.25 | -2.0 |
| 25 | 2 | 12.5 | 50 | 110010 | 625 | 2 | 312.5 | 0 |
| 25 | 2 | 12.5 | 51 | 110011 | 637.5 | 2 | 318.75 | 2.0 |
| 25 | 2 | 12.5 | 52 | 110100 | 650 | 2 | 325 | 4.0 |
| 25 | 2 | 12.5 | 53 | 110101 | 662.5 | 2 | 331.25 | 6.0 |
| 25 | 2 | 12.5 | 54 | 110110 | 675 | 2 | 337.5 | 8.0 |
| 25 | 2 | 12.5 | 55 | 110111 | 687.5 | 2 | 343.75 | 10.0 |

SERIAL LOADING

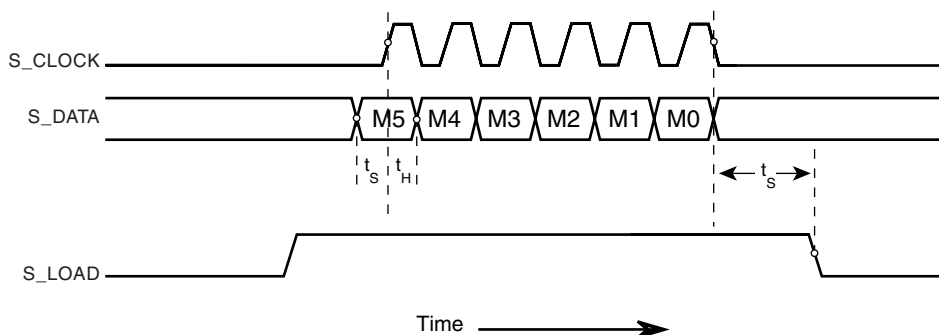


FIGURE 1. SERIAL LOAD OPERATIONS



Integrated
Circuit
Systems, Inc.

ADVANCE INFORMATION

ICS843101-312

FEMTOCLOCKS™ CRYSTAL-TO-LVPECL
312.5MHz FREQUENCY MARGINING SYNTHESIZER

TABLE 2. PIN DESCRIPTIONS

| Number | Name | Type | | Description |
|--------|----------------------|-------|----------|--|
| 1, 12 | V _{EE} | Power | | Negative supply pins. |
| 2 | S_LOAD | Input | Pulldown | Controls the operation of the Serial input. LVCMOS/LVTTL interface levels. |
| 3 | S_DATA | Input | Pulldown | Shift register serial input. Data sampled on the rising edge of S_CLOCK. LVCMOS/LVTTL interface levels. |
| 4 | S_CLOCK | Input | Pulldown | Clock in serial data present at S_DATA input into the shift register on the rising edge of S_CLOCK. LVCMOS/LVTTL interface levels. |
| 5 | SEL | Input | Pulldown | Select pin. When HIGH, selects CLK input. When LOW, selects XTAL inputs. LVCMOS/LVTTL interface levels. |
| 6 | OE | Input | Pullup | Output enable pin. Controls enabling and disabling of Q/nQ outputs. LVCMOS/LVTTL interface levels |
| 7 | V _{CCA} | Power | | Analog supply pin. |
| 8 | V _{CC} | Power | | Core supply pin. |
| 9, 10 | XTAL_IN, XTAL_OUT | Input | | Parallel resonant crystal interface. XTAL_OUT is the output, XTAL_IN is the input. |
| 11 | CLK | Input | Pulldown | LVCMOS/LVTTL clock input. |
| 13, 14 | nQ, Q | Ouput | | Differential output pair. LVPECL interface levels. |
| 15 | V _{CCO} | Power | | Output supply pin. |
| 16 | MODE | Input | Pulldown | MODE pin. LOW = default mode. HIGH = frequency margining mode. LVCMOS/LVTTL interface levels. |

NOTE: *Pullup and Pulldown* refer to internal input resistors. See Table 2, Pin Characteristics, for typical values.

TABLE 3. PIN CHARACTERISTICS

| Symbol | Parameter | Test Conditions | Minimum | Typical | Maximum | Units |
|-----------------------|-------------------------|-----------------|---------|---------|---------|-------|
| C _{IN} | Input Capacitance | | | 4 | | pF |
| R _{PULLDOWN} | Input Pulldown Resistor | | | 51 | | kΩ |
| R _{PULLUP} | Input Pulldown Resistor | | | 51 | | kΩ |



Integrated
Circuit
Systems, Inc.

ADVANCE INFORMATION

ICS843101-312

FEMTOCLOCKS™ CRYSTAL-TO-LVPECL
312.5MHz FREQUENCY MARGINING SYNTHESIZER

TABLE 4A. OE CONTROL INPUT FUNCTION TABLE

| Input | Outputs |
|-------|---------|
| OE | Q, nQ |
| 0 | HiZ |
| 1 | Enabled |

TABLE 4B. SEL CONTROL INPUT FUNCTION TABLE

| Input | |
|-------|-------------------|
| SEL | Selected Source |
| 0 | XTAL_IN, XTAL_OUT |
| 1 | CLK |

TABLE 4C. MODE CONTROL INPUT FUNCTION TABLE

| Input | Condition |
|-------|--------------------------|
| Mode | Q, nQ |
| 0 | Default Mode |
| 1 | Frequency Margining Mode |

TABLE 4D. SERIAL MODE FUNCTION TABLE

| Inputs | | | Conditions |
|--------|---------|--------|--|
| S_LOAD | S_CLOCK | S_DATA | |
| L | X | X | Serial inputs are ignored. |
| H | ↑ | Data | Serial input mode. Shift register is loaded with data on S_DATA on each rising edge of S_CLOCK. |
| ↓ | L | X | Contents of the shift register are latched. |

NOTE: L = LOW

H = HIGH

X = Don't care

↑ = Rising edge transition

↓ = Falling edge transition



Integrated
Circuit
Systems, Inc.

ADVANCE INFORMATION

ICS843101-312

FEMTOCLOCKS™ CRYSTAL-TO-LVPECL 312.5MHz FREQUENCY MARGINING SYNTHESIZER

ABSOLUTE MAXIMUM RATINGS

| | |
|--|--------------------------|
| Supply Voltage, V_{CC} | 4.6V |
| Inputs, V_I | -0.5V to $V_{CC} + 0.5V$ |
| Outputs, I_O | |
| Continuous Current | 50mA |
| Surge Current | 100mA |
| Package Thermal Impedance, θ_{JA} | 89°C/W (0 lfpm) |
| Storage Temperature, T_{STG} | -65°C to 150°C |

NOTE: Stresses beyond those listed under Absolute Maximum Ratings may cause permanent damage to the device. These ratings are stress specifications only. Functional operation of product at these conditions or any conditions beyond those listed in the *DC Characteristics* or *AC Characteristics* is not implied. Exposure to absolute maximum rating conditions for extended periods may affect product reliability.

TABLE 5A. POWER SUPPLY DC CHARACTERISTICS, $V_{CC} = V_{CCA} = V_{CCO} = 3.3V \pm 5\%$, $T_A = 0^\circ C$ TO $70^\circ C$

| Symbol | Parameter | Test Conditions | Minimum | Typical | Maximum | Units |
|-----------|-----------------------|-----------------|---------|---------|---------|-------|
| V_{CC} | Core Supply Voltage | | 3.135 | 3.3 | 3.465 | V |
| V_{CCA} | Analog Supply Voltage | | 3.135 | 3.3 | 3.465 | V |
| V_{CCO} | Output Supply Voltage | | 3.135 | 3.3 | 3.465 | V |
| I_{EE} | Power Supply Current | | | TBD | | mA |
| I_{CC} | Core Supply Current | | | TBD | | mA |
| I_{CCA} | Analog Supply Current | | | TBD | | mA |
| I_{CCO} | Output Supply Current | | | TBD | | mA |

TABLE 5B. POWER SUPPLY DC CHARACTERISTICS, $V_{CC} = V_{CCA} = 3.3V \pm 5\%$, $V_{CCO} = 2.5V \pm 5\%$, $T_A = 0^\circ C$ TO $70^\circ C$

| Symbol | Parameter | Test Conditions | Minimum | Typical | Maximum | Units |
|-----------|-----------------------|-----------------|---------|---------|---------|-------|
| V_{CC} | Core Supply Voltage | | 3.135 | 3.3 | 3.465 | V |
| V_{CCA} | Analog Supply Voltage | | 3.135 | 3.3 | 3.465 | V |
| V_{CCO} | Output Supply Voltage | | 2.375 | 2.5 | 2.625 | V |
| I_{EE} | Power Supply Current | | | TBD | | mA |
| I_{CC} | Core Supply Current | | | TBD | | mA |
| I_{CCA} | Analog Supply Current | | | TBD | | mA |
| I_{CCO} | Output Supply Current | | | TBD | | mA |

TABLE 5C. POWER SUPPLY DC CHARACTERISTICS, $V_{CC} = V_{CCA} = V_{CCO} = 2.5V \pm 5\%$, $T_A = 0^\circ C$ TO $70^\circ C$

| Symbol | Parameter | Test Conditions | Minimum | Typical | Maximum | Units |
|-----------|-----------------------|-----------------|---------|---------|---------|-------|
| V_{CC} | Core Supply Voltage | | 2.375 | 2.5 | 2.625 | V |
| V_{CCA} | Analog Supply Voltage | | 2.375 | 2.5 | 2.625 | V |
| V_{CCO} | Output Supply Voltage | | 2.375 | 2.5 | 2.625 | V |
| I_{EE} | Power Supply Current | | | TBD | | mA |
| I_{CC} | Core Supply Current | | | TBD | | mA |
| I_{CCA} | Analog Supply Current | | | TBD | | mA |
| I_{CCO} | Output Supply Current | | | TBD | | mA |



Integrated
Circuit
Systems, Inc.

ADVANCE INFORMATION

ICS843101-312

FEMTOCLOCKS™ CRYSTAL-TO-LVPECL
312.5MHz FREQUENCY MARGINING SYNTHESIZER

TABLE 5D. LVCMOS / LVTTTL DC CHARACTERISTICS, T_A = 0°C TO 70°C

| Symbol | Parameter | Test Conditions | Minimum | Typical | Maximum | Units |
|-----------------|---------------------------------|--|---------|---------|-----------------------|-------|
| V _{IH} | Input High Voltage | V _{CC} = 3.3V | 2 | | V _{CC} + 0.3 | V |
| | | V _{CC} = 2.5V | 1.7 | | V _{CC} + 0.3 | V |
| V _{IL} | Input Low Voltage | V _{CC} = 3.3V | -0.3 | | 0.8 | V |
| | | V _{CC} = 2.5V | -0.3 | | 1.7 | V |
| I _{IH} | Input High Current | CLK, SEL, S_DATA, S_LOAD, S_CLOCK, MODE V _{CC} = V _{IN} = 3.465 or 2.625V | | | 150 | μA |
| | | OE V _{CC} = V _{IN} = 3.465 or 2.625V | | | 5 | μA |
| I _{IL} | Input Low Current | CLK, SEL, S_DATA, S_LOAD, S_CLOCK, MODE V _{CC} = 3.465V or 2.625V, V _{IN} = 0V | -5 | | | μA |
| | | OE V _{CC} = 3.465V or 2.625V, V _{IN} = 0V | -150 | | | μA |
| Δt/Δv | Input Transition Rise/Fall Rate | OE, SEL, S_CLOCK, S_DATA, S_LOAD, MODE | | | 20 | ns/v |

TABLE 5E. LVPECL DC CHARACTERISTICS, T_A = 0°C TO 70°C

| Symbol | Parameter | Test Conditions | Minimum | Typical | Maximum | Units |
|--------------------|-----------------------------------|-----------------|------------------------|---------|------------------------|-------|
| V _{OH} | Output High Voltage; NOTE 1 | | V _{CCO} - 1.4 | | V _{CCO} - 0.9 | V |
| V _{OL} | Output Low Voltage; NOTE 1 | | V _{CCO} - 2.0 | | V _{CCO} - 1.7 | V |
| V _{SWING} | Peak-to-Peak Output Voltage Swing | | 0.6 | | 1.0 | V |

NOTE 1: Outputs terminated with 50Ω to V_{CCO} - 2V.

TABLE 6. CRYSTAL CHARACTERISTICS

| Parameter | Test Conditions | Minimum | Typical | Maximum | Units |
|------------------------------------|-----------------|-------------|---------|---------|-------|
| Mode of Oscillation | | Fundamental | | | |
| Frequency | | | 25 | | MHz |
| Equivalent Series Resistance (ESR) | | | | 50 | Ω |
| Shunt Capacitance | | | | 7 | pF |
| Drive Level | | | | 100 | μW |

NOTE: Characterized using an 18pF parallel resonant crystal.

TABLE 7. INPUT FREQUENCY CHARACTERISTICS, T_A = 0°C TO 70°C

| Symbol | Parameter | Test Conditions | Minimum | Typical | Maximum | Units |
|-----------------|-----------------|------------------|---------|---------|---------|-------|
| f _{IN} | Input Frequency | CLK | | 25 | | MHz |
| | | XTAL_IN/XTAL_OUT | | 25 | | MHz |
| | | S_CLOCK | | | 50 | MHz |



Integrated
Circuit
Systems, Inc.

ADVANCE INFORMATION

ICS843101-312

FEMTOCLOCKS™ CRYSTAL-TO-LVPECL
312.5MHz FREQUENCY MARGINING SYNTHESIZER

TABLE 8A. AC CHARACTERISTICS, $V_{CC} = V_{CCA} = V_{CCO} = 3.3V \pm 5\%$, $T_A = 0^\circ C$ TO $70^\circ C$

| Symbol | Parameter | Test Conditions | Minimum | Typical | Maximum | Units |
|----------------------|--------------------------|--|---------|---------|---------|-------|
| f_{OUT} | Output Frequency | | | 312.5 | | MHz |
| $f_{jit}(\emptyset)$ | RMS Phase Jitter; NOTE 1 | Mode = LOW 312.5MHz, (1.875MHz - 20MHz) | | TBD | | ps |
| t_R / t_F | Output Rise/Fall Time | 20% to 80% | | TBD | | ps |
| odc | Output Duty Cycle | | | 50 | | % |
| t_S | Setup Time | S_DATA to S_CLOCK | 10 | | | ns |
| | | S_CLOCK to S_LOAD | 10 | | | ns |
| t_H | Hold Time | S_DATA to S_CLOCK | 10 | | | ns |

NOTE 1: Characterized using a 25MHz crystal.

TABLE 8B. AC CHARACTERISTICS, $V_{CC} = V_{CCA} = 3.3V \pm 5\%$, $V_{CCO} = 2.5V \pm 5\%$, $T_A = 0^\circ C$ TO $70^\circ C$

| Symbol | Parameter | Test Conditions | Minimum | Typical | Maximum | Units |
|----------------------|--------------------------|--|---------|---------|---------|-------|
| f_{OUT} | Output Frequency | | | 312.5 | | MHz |
| $f_{jit}(\emptyset)$ | RMS Phase Jitter; NOTE 1 | Mode = LOW 312.5MHz, (1.875MHz - 20MHz) | | TBD | | ps |
| t_R / t_F | Output Rise/Fall Time | 20% to 80% | | TBD | | ps |
| odc | Output Duty Cycle | | | 50 | | % |
| t_S | Setup Time | S_DATA to S_CLOCK | 10 | | | ns |
| | | S_CLOCK to S_LOAD | 10 | | | ns |
| t_H | Hold Time | S_DATA to S_CLOCK | 10 | | | ns |

NOTE 1: Characterized using a 25MHz crystal.

TABLE 8C. AC CHARACTERISTICS, $V_{CC} = V_{CCA} = 3.3V \pm 5\%$, $V_{CCO} = 2.5V \pm 5\%$, $T_A = 0^\circ C$ TO $70^\circ C$

| Symbol | Parameter | Test Conditions | Minimum | Typical | Maximum | Units |
|----------------------|--------------------------|--|---------|---------|---------|-------|
| f_{OUT} | Output Frequency | | | 312.5 | | MHz |
| $f_{jit}(\emptyset)$ | RMS Phase Jitter; NOTE 1 | Mode = LOW 312.5MHz, (1.875MHz - 20MHz) | | TBD | | ps |
| t_R / t_F | Output Rise/Fall Time | 20% to 80% | | TBD | | ps |
| odc | Output Duty Cycle | | | 50 | | % |
| t_S | Setup Time | S_DATA to S_CLOCK | 10 | | | ns |
| | | S_CLOCK to S_LOAD | 10 | | | ns |
| t_H | Hold Time | S_DATA to S_CLOCK | 10 | | | ns |

NOTE 1: Characterized using a 25MHz crystal.



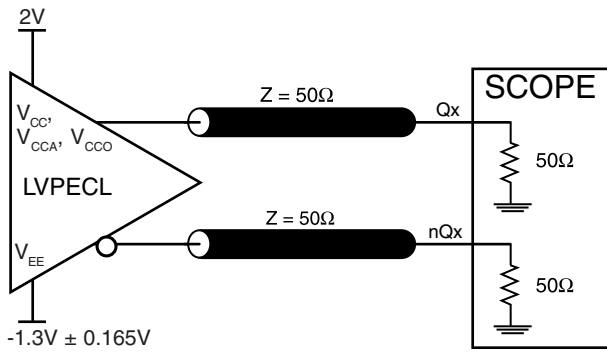
Integrated
Circuit
Systems, Inc.

ADVANCE INFORMATION

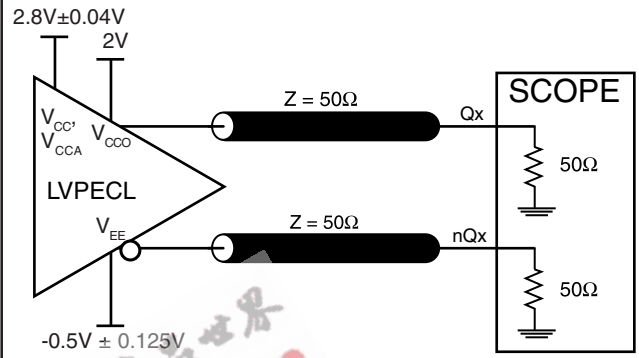
ICS843101-312

FEMTOCLOCKS™ CRYSTAL-TO-LVPECL
312.5MHz FREQUENCY MARGINING SYNTHESIZER

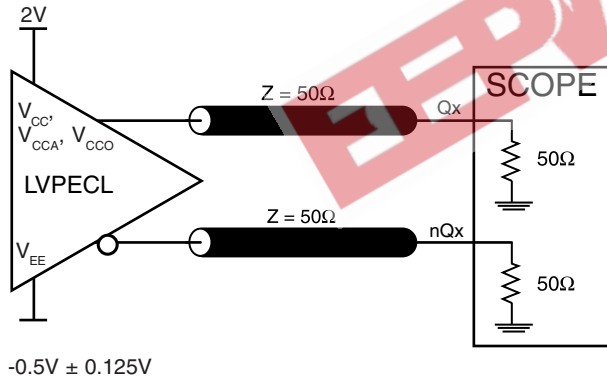
PARAMETER MEASUREMENT INFORMATION



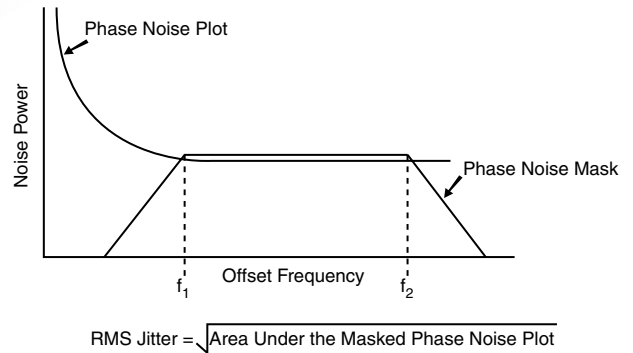
3.3V CORE/3.3V OUTPUT LOAD ACTEST CIRCUIT



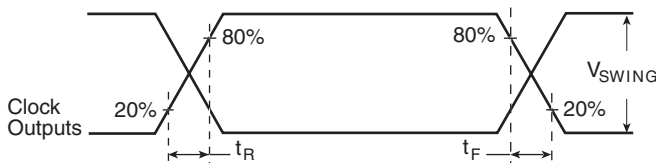
3.3V CORE/2.5V OUTPUT LOAD ACTEST CIRCUIT



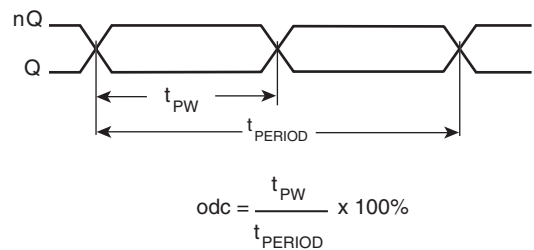
2.5V CORE/2.5V OUTPUT LOAD ACTEST CIRCUIT



RMS PHASE JITTER



OUTPUT RISE/FALL TIME



OUTPUT DUTY CYCLE/PULSE WIDTH/PERIOD



Integrated
Circuit
Systems, Inc.

ADVANCE INFORMATION

ICS843101-312

FEMTOCLOCKS™ CRYSTAL-TO-LVPECL
312.5MHz FREQUENCY MARGINING SYNTHESIZER

APPLICATION INFORMATION

POWER SUPPLY FILTERING TECHNIQUES

As in any high speed analog circuitry, the power supply pins are vulnerable to random noise. The ICS843101-312 provides separate power supplies to isolate any high switching noise from the outputs to the internal PLL. V_{CC} , V_{CCA} , and V_{CCO} should be individually connected to the power supply plane through vias, and bypass capacitors should be used for each pin. To achieve optimum jitter performance, power supply isolation is required. *Figure 2* illustrates how a 10Ω resistor along with a 10μF and a .01μF bypass capacitor should be connected to each V_{CCA} . The 10Ω resistor can also be replaced by a ferrite bead.

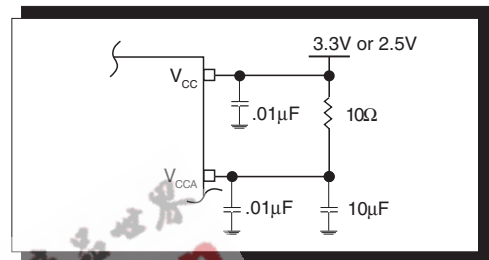


FIGURE 2. POWER SUPPLY FILTERING

CRYSTAL INPUT INTERFACE

The ICS843101-312 has been characterized with 18pF parallel resonant crystals. The capacitor values shown in *Figure 3* below were determined using a 25MHz, 18pF par-

allel resonant crystal and were chosen to minimize the ppm error.

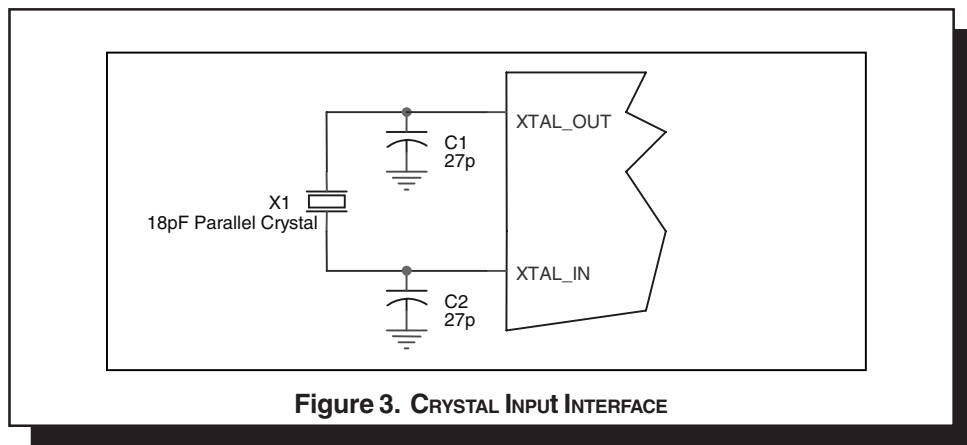


Figure 3. CRYSTAL INPUT INTERFACE



Integrated
Circuit
Systems, Inc.

ADVANCE INFORMATION

ICS843101-312

FEMTOCLOCKS™ CRYSTAL-TO-LVPECL 312.5MHz FREQUENCY MARGINING SYNTHESIZER

RECOMMENDATIONS FOR UNUSED INPUT PINS

INPUTS:

CRYSTAL INPUT:

For applications not requiring the use of the crystal oscillator input, both XTAL_IN and XTAL_OUT can be left floating. Though not required, but for additional protection, a 1kΩ resistor can be tied from XTAL_IN to ground.

CLK INPUT:

For applications not requiring the use of the test clock, it can be left floating. Though not required, but for additional protection, a 1kΩ resistor can be tied from the CLK input to ground.

LVC MOS CONTROL PINS:

All control pins have internal pull-ups or pull-downs; additional resistance is not required but can be added for additional protection. A 1kΩ resistor can be used.

TERMINATION FOR 3.3V LVPECL OUTPUT

The clock layout topology shown below is a typical termination for LVPECL outputs. The two different layouts mentioned are recommended only as guidelines.

FOUT and nFOUT are low impedance follower outputs that generate ECL/LVPECL compatible outputs. Therefore, terminating resistors (DC current path to ground) or current sources must be used for functionality. These

outputs are designed to drive 50Ω transmission lines. Matched impedance techniques should be used to maximize operating frequency and minimize signal distortion. *Figures 4A and 4B* show two different layouts which are recommended only as guidelines. Other suitable clock layouts may exist and it would be recommended that the board designers simulate to guarantee compatibility across all printed circuit and clock component process variations.

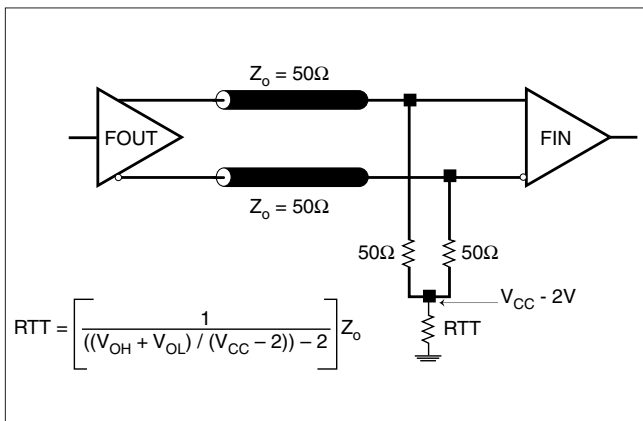


FIGURE 4A. LVPECL OUTPUT TERMINATION

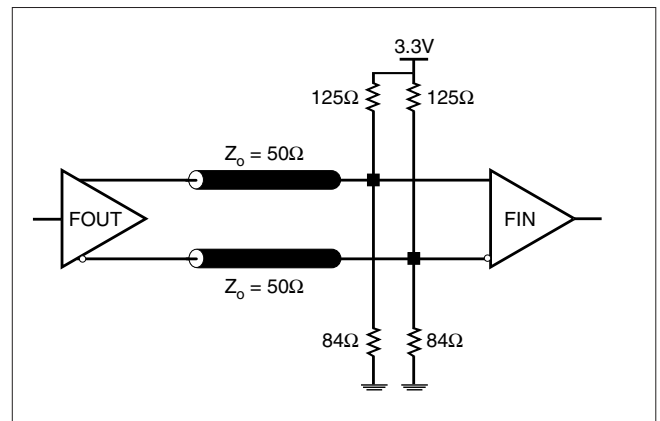


FIGURE 4B. LVPECL OUTPUT TERMINATION



Integrated
Circuit
Systems, Inc.

ADVANCE INFORMATION

ICS843101-312

FEMTOCLOCKS™ CRYSTAL-TO-LVPECL 312.5MHz FREQUENCY MARGINING SYNTHESIZER

TERMINATION FOR 2.5V LVPECL OUTPUT

Figure 5A and Figure 5B show examples of termination for 2.5V LVPECL driver. These terminations are equivalent to terminating 50Ω to $V_{CC} - 2V$. For $V_{CC} = 2.5V$, the $V_{CC} - 2V$ is

very close to ground level. The R3 in Figure 4B can be eliminated and the termination is shown in Figure 4C.

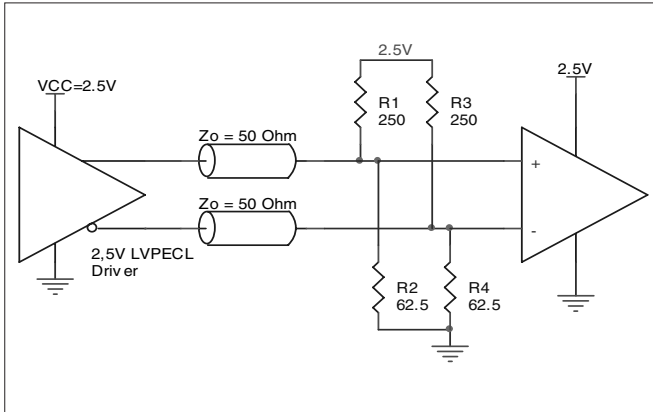


FIGURE 5A. 2.5V LVPECL DRIVER TERMINATION EXAMPLE

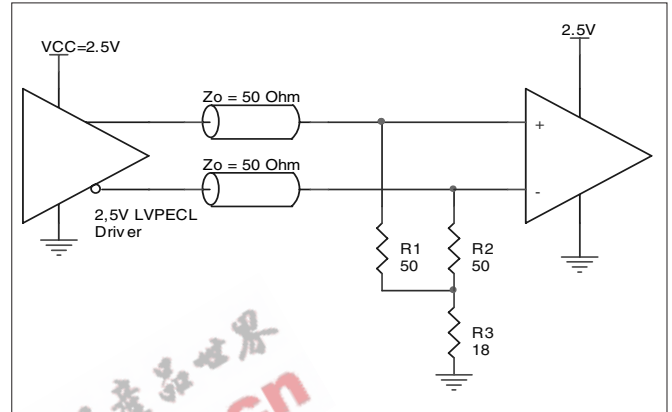


FIGURE 5B. 2.5V LVPECL DRIVER TERMINATION EXAMPLE

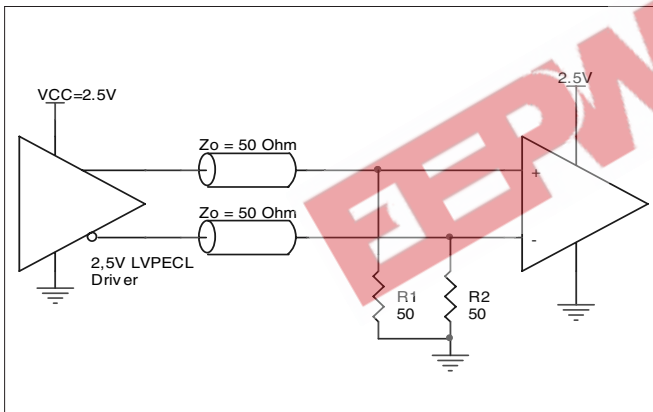


FIGURE 5C. 2.5V LVPECL TERMINATION EXAMPLE



Integrated
Circuit
Systems, Inc.

ADVANCE INFORMATION

ICS843101-312

FEMTOCLOCKS™ CRYSTAL-TO-LVPECL
312.5MHz FREQUENCY MARGINING SYNTHESIZER

RELIABILITY INFORMATION

TABLE 9. θ_{JA} VS. AIR FLOW TABLE FOR 16 LEAD TSSOP

| θ_{JA} by Velocity (Linear Feet per Minute) | | | |
|--|-----------|-----------|-----------|
| | 0 | 200 | 500 |
| Single-Layer PCB, JEDEC Standard Test Boards | 137.1°C/W | 118.2°C/W | 106.8°C/W |
| Multi-Layer PCB, JEDEC Standard Test Boards | 89.0°C/W | 81.8°C/W | 78.1°C/W |

NOTE: Most modern PCB designs use multi-layered boards. The data in the second row pertains to most designs.

TRANSISTOR COUNT

The transistor count for ICS843101-312 is: TBD



Integrated
Circuit
Systems, Inc.

ADVANCE INFORMATION

ICS843101-312

FEMTOCLOCKS™ CRYSTAL-TO-LVPECL
312.5MHz FREQUENCY MARGINING SYNTHESIZER

PACKAGE OUTLINE - G SUFFIX FOR 16 LEAD TSSOP

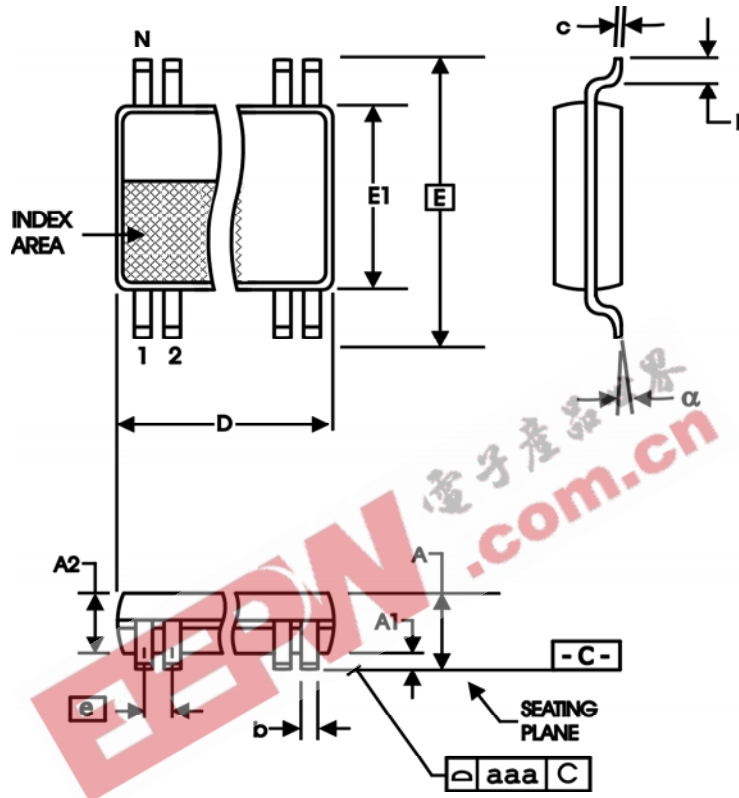


TABLE 10. PACKAGE DIMENSIONS

| SYMBOL | Millimeters | |
|--------|-------------|---------|
| | Minimum | Maximum |
| N | 16 | |
| A | -- | 1.20 |
| A1 | 0.05 | 0.15 |
| A2 | 0.80 | 1.05 |
| b | 0.19 | 0.30 |
| c | 0.09 | 0.20 |
| D | 4.90 | 5.10 |
| E | 6.40 BASIC | |
| E1 | 4.30 | 4.50 |
| e | 0.65 BASIC | |
| L | 0.45 | 0.75 |
| alpha | 0° | 8° |
| aaa | -- | 0.10 |

Reference Document: JEDEC Publication 95, MO-153



Integrated
Circuit
Systems, Inc.

ADVANCE INFORMATION

ICS843101-312

FEMTOCLOCKS™ CRYSTAL-TO-LVPECL
312.5MHz FREQUENCY MARGINING SYNTHESIZER

TABLE 11. ORDERING INFORMATION

| Part/Order Number | Marking | Package | Shipping Packaging | Temperature |
|--------------------|----------|---------------------------|--------------------|---------------|
| ICS843101AG-312 | 3101A100 | 16 Lead TSSOP | tube | -40°C to 85°C |
| ICS843101AG-312T | 3101A100 | 16 Lead TSSOP | 2500 tape & reel | -40°C to 85°C |
| ICS843101AG-312LF | TBD | 16 Lead "Lead-Free" TSSOP | tube | -40°C to 85°C |
| ICS843101AG-312LFT | TBD | 16 Lead "Lead-Free" TSSOP | 2500 tape & reel | -40°C to 85°C |

NOTE: Parts that are ordered with an "LF" suffix to the part number are the Pb-Free configuration and are RoHS compliant.

EEPW 电子產品世界
.com.cn

The aforementioned trademarks, HiPerClockS and FemtoClocks are trademarks of Integrated Circuit Systems, Inc. or its subsidiaries in the United States and/or other countries. While the information presented herein has been checked for both accuracy and reliability, Integrated Circuit Systems, Incorporated (ICS) assumes no responsibility for either its use or for infringement of any patents or other rights of third parties, which would result from its use. No other circuits, patents, or licenses are implied. This product is intended for use in normal commercial applications. Any other applications such as those requiring extended temperature range, high reliability, or other extraordinary environmental requirements are not recommended without additional processing by ICS. ICS reserves the right to change any circuitry or specifications without notice. ICS does not authorize or warrant any ICS product for use in life support devices or critical medical instruments.