



Integrated  
Circuit  
Systems, Inc.

# ICS840011

## FEMTOCLOCKS™ CRYSTAL-TO-LVCMOS/LVTTL CLOCK GENERATOR

### GENERAL DESCRIPTION



The ICS840011 is a Fibre Channel Clock Generator and a member of the HiPerClocks™ family of high performance devices from ICS. The ICS840011 uses a 26.5625MHz or 25MHz crystal to synthesize 106.25MHz or 100MHz respectively. The ICS840011 has excellent phase jitter performance, from 637KHz – 10MHz integration range. The ICS840011 is packaged in a small 8-pin TSSOP, making it ideal for use in systems with limited board space.

### FEATURES

- 1 LVCMOS/LVTTL output, 7Ω output impedance
- Crystal oscillator interface designed for a 26.5625MHz or 25MHz, 18pF parallel resonant crystal
- Output frequency: 106.25MHz (typical)
- VCO range: 560MHz to 680MHz
- RMS phase jitter @ 106.25MHz, using a 26.5625MHz crystal (637KHz - 10MHz): 0.780ps (typical)
- RMS phase noise at 106.25MHz (typical)

Phase noise:

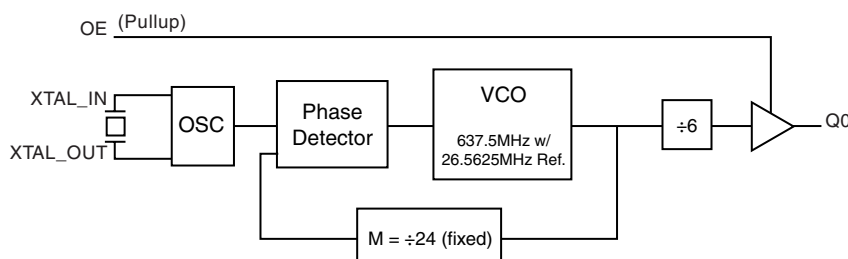
Offset	Noise Power
100Hz .....	-95.7 dBc/Hz
1KHz .....	-121 dBc/Hz
10KHz .....	-129 dBc/Hz
100KHz.....	-129.6 dBc/Hz

- 3.3V operating supply
- -30°C to 85°C ambient operating temperature

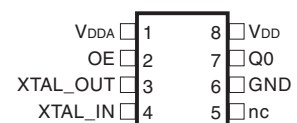
### FREQUENCY TABLE

Inputs	Output Frequency
Crystal Frequency (MHz)	(MHz)
26.5625	106.25
25	100

### BLOCK DIAGRAM



### PIN ASSIGNMENT



### ICS840011

8-Lead TSSOP

4.40mm x 3.0mm x 0.925mm package body  
G Package  
Top View



Integrated  
Circuit  
Systems, Inc.

# ICS840011

## FEMTOCLOCKS™ CRYSTAL-TO-LVCMOS/LVTTL CLOCK GENERATOR

TABLE 1. PIN DESCRIPTIONS

Number	Name	Type		Description
1	V <sub>DDA</sub>	Power		Analog supply pin.
2	OE	Input	Pullup	Output enable pin. When HIGH, Q0 output is enabled. When LOW, forces Q0 to HiZ state. LVCMOS/LVTTL interface levels.
3, 4	XTAL_OUT, XTAL_IN	Input		Crystal oscillator interface. XTAL_IN is the input, XTAL_OUT is the output.
5	nc	Unused		No connect.
6	GND	Power		Power supply ground.
7	Q0	Output		Single-ended clock output. LVCMOS/LVTTL interface levels. 7Ω output impedance.
8	V <sub>DD</sub>	Power		Core supply pin.

NOTE: *Pullup* refers to internal input resistors. See Table 2, Pin Characteristics, for typical values.

TABLE 2. PIN CHARACTERISTICS

Symbol	Parameter	Test Conditions	Minimum	Typical	Maximum	Units
C <sub>IN</sub>	Input Capacitance			4		pF
C <sub>PD</sub>	Power Dissipation Capacitance	V <sub>DD</sub> , V <sub>DDA</sub> = 3.465V		24		pF
R <sub>PULLUP</sub>	Input Pullup Resistor			51		KΩ
R <sub>OUT</sub>	Output Impedance		5	7	12	Ω

TABLE 3. CONTROL FUNCTION TABLE

Control Inputs	Output
OE	Q0
0	Hi-Z
1	Active



**ABSOLUTE MAXIMUM RATINGS**

Supply Voltage, $V_{DD}$	4.6V
Inputs, $V_I$	-0.5V to $V_{DD} + 0.5V$
Outputs, $V_O$	-0.5V to $V_{DD} + 0.5V$
Package Thermal Impedance, $\theta_{JA}$	101.7°C/W (0 mps)
Storage Temperature, $T_{STG}$	-65°C to 150°C

NOTE: Stresses beyond those listed under Absolute Maximum Ratings may cause permanent damage to the device. These ratings are stress specifications only. Functional operation of product at these conditions or any conditions beyond those listed in the *DC Characteristics* or *AC Characteristics* is not implied. Exposure to absolute maximum rating conditions for extended periods may affect product reliability.

**TABLE 4A. POWER SUPPLY DC CHARACTERISTICS,  $V_{DD} = V_{DDA} = 3.3V \pm 5\%$ ,  $T_A = -30^\circ C$  TO  $85^\circ C$**

Symbol	Parameter	Test Conditions	Minimum	Typical	Maximum	Units
$V_{DD}$	Core Supply Voltage		3.135	3.3	3.465	V
$V_{DDA}$	Analog Supply Voltage		3.135	3.3	3.465	V
$I_{DD}$	Power Supply Current				80	mA
$I_{DDA}$	Analog Supply Current				10	mA

**TABLE 4B. LVCMOS/LVTTL DC CHARACTERISTICS,  $V_{DD} = V_{DDA} = 3.3V \pm 5\%$ ,  $T_A = -30^\circ C$  TO  $85^\circ C$**

Symbol	Parameter	Test Conditions	Minimum	Typical	Maximum	Units
$V_{IH}$	Input High Voltage		2		$V_{DD} + 0.3$	V
$V_{IL}$	Input Low Voltage		-0.3		0.8	V
$I_{IH}$	Input High Current	OE $V_{DD} = V_{IN} = 3.465V$			5	$\mu A$
$I_{IL}$	Input Low Current	OE $V_{DD} = 3.465V, V_{IN} = 0V$	-150			$\mu A$
$V_{OH}$	Output High Voltage; NOTE 1		2.6			V
$V_{OL}$	Output Low Voltage; NOTE 1				0.5	V

NOTE 1: Outputs terminated with  $50\Omega$  to  $V_{DD}/2$ . See Parameter Measurement Information Section, "3.3V Output Load Test Circuit".

**TABLE 5. CRYSTAL CHARACTERISTICS**

Parameter	Test Conditions	Minimum	Typical	Maximum	Units
Mode of Oscillation		Fundamental			
Frequency				26.5625	MHz
Equivalent Series Resistance (ESR)				50	$\Omega$
Shunt Capacitance				7	pF

**TABLE 6. AC CHARACTERISTICS,  $V_{DD} = V_{DDA} = 3.3V \pm 5\%$ ,  $T_A = -30^\circ C$  TO  $85^\circ C$**

Symbol	Parameter	Test Conditions	Minimum	Typical	Maximum	Units
$f_{OUT}$	Output Frequency		93.33	106.25	113.33	MHz
$f_{jit}(\emptyset)$	RMS Phase Jitter (Random); NOTE 1	$f_{OUT} = 106.25MHz,$ (637KHz to 10MHz)		0.780		ps
$t_R / t_F$	Output Rise/Fall Time	20% to 80%	250		600	ps
odc	Output Duty Cycle	$f_{OUT} = 106.25MHz$	48		52	%

All parameters are characterized @ 106.25MHz.  
NOTE 1: Please refer to the Phase Noise Plot.

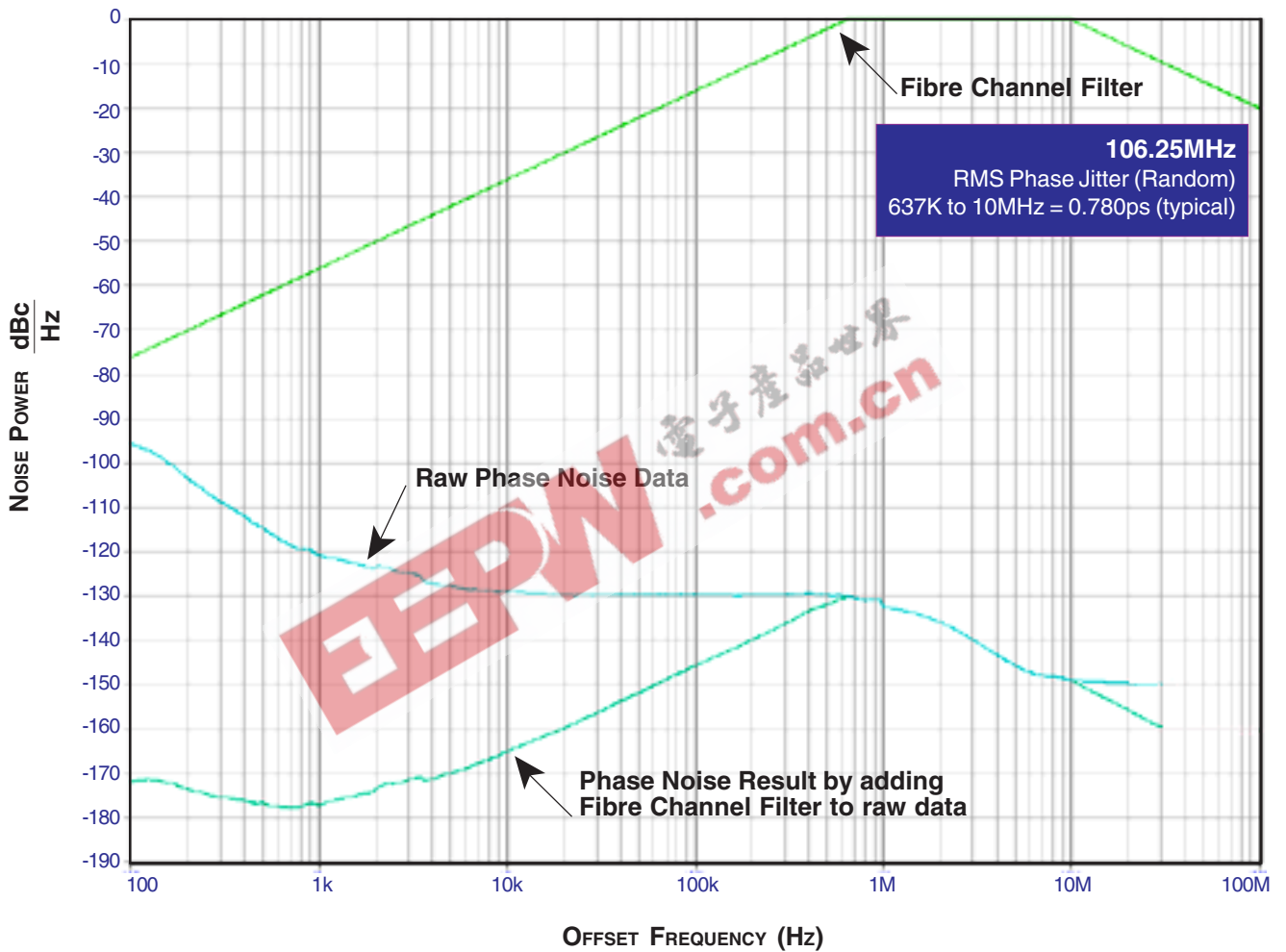


Integrated  
Circuit  
Systems, Inc.

# ICS840011

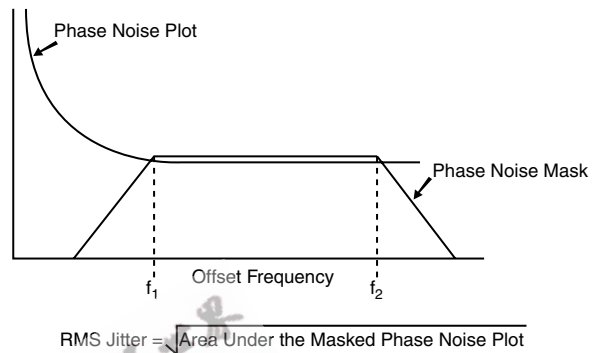
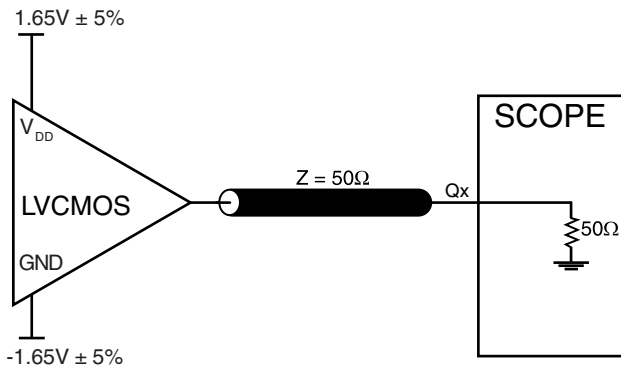
FEMTOCLOCKS™ CRYSTAL-TO-  
LVCMOS/LVTTL CLOCK GENERATOR

## TYPICAL PHASE NOISE AT 106.25MHz



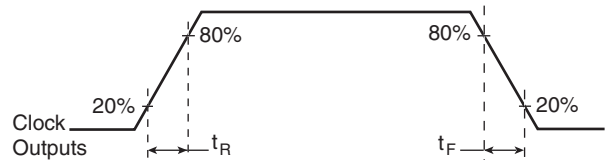
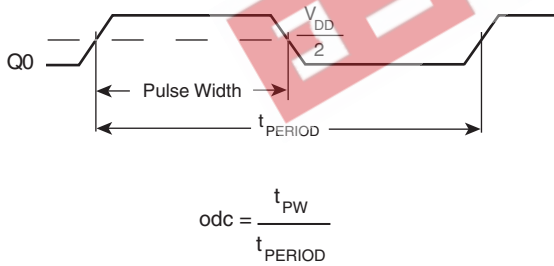


## PARAMETER MEASUREMENT INFORMATION



### 3.3V OUTPUT LOAD AC TEST CIRCUIT

### RMS PHASE JITTER



### OUTPUT DUTY CYCLE/PULSE WIDTH/PERIOD

### OUTPUT RISE/FALL TIME



## APPLICATION INFORMATION

### POWER SUPPLY FILTERING TECHNIQUES

As in any high speed analog circuitry, the power supply pins are vulnerable to random noise. The ICS840011 provides separate power supplies to isolate any high switching noise from the outputs to the internal PLL.  $V_{DD}$ , and  $V_{DDA}$  should be individually connected to the power supply plane through vias, and bypass capacitors should be used for each pin. To achieve optimum jitter performance, power supply isolation is required. *Figure 1* illustrates how a  $10\Omega$  resistor along with a  $10\mu\text{F}$  and a  $.01\mu\text{F}$  bypass capacitor should be connected to each  $V_{DDA}$  pin.

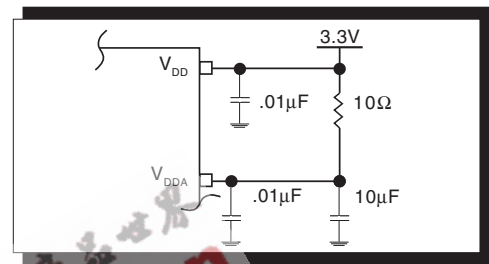


FIGURE 1. POWER SUPPLY FILTERING

### CRYSTAL INPUT INTERFACE

The ICS840011 has been characterized with 18pF parallel resonant crystals. The capacitor values, C1 and C2, shown in *Figure 2* below were determined using a 26.5625MHz, 18pF

parallel resonant crystal and were chosen to minimize the ppm error. The optimum C1 and C2 values can be slightly adjusted for different board layouts.

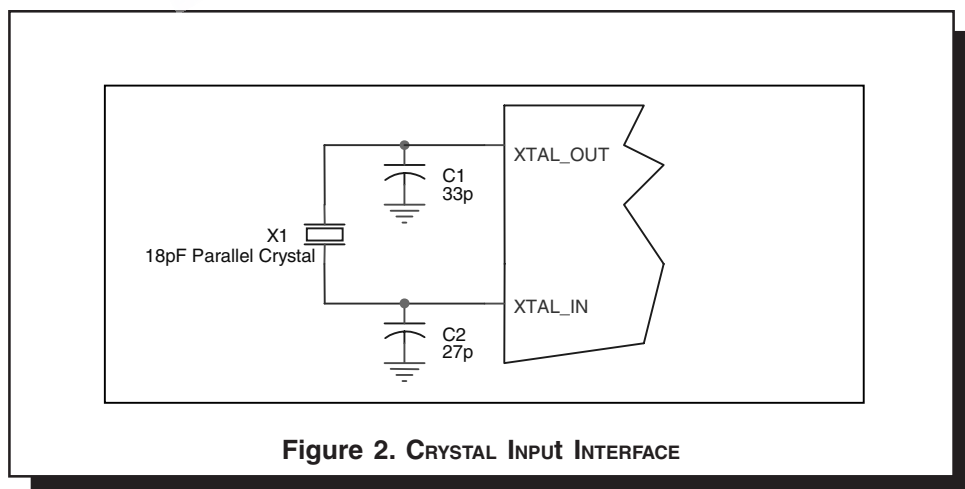


Figure 2. CRYSTAL INPUT INTERFACE



### APPLICATION SCHEMATIC

Figure 3A shows a schematic example of the ICS840011. An example of LVCMOS termination is shown in this schematic. Additional LVCMOS termination approaches are shown in the LVCMOS Termination Application Note. In this example, an 18pF parallel resonant 26.5625MHz crystal is used for generating

106.25MHz output frequency. The C1 = 27pF and C2 = 33pF are recommended for frequency accuracy. For different board layout, the C1 and C2 values may be slightly adjusted for optimizing frequency accuracy.

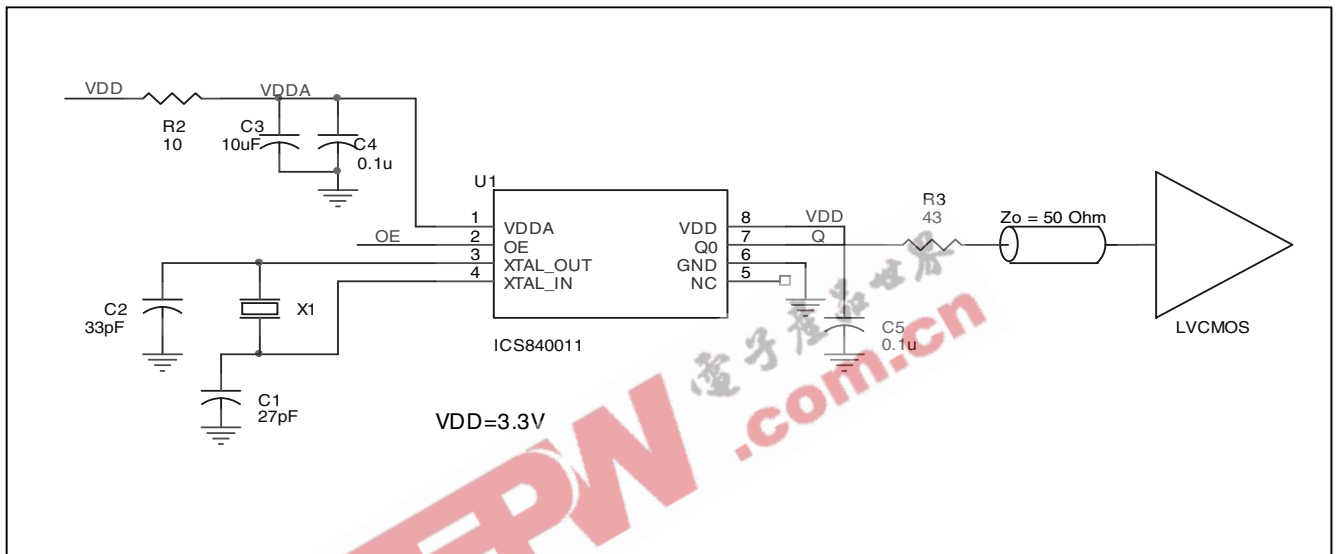


FIGURE 3A. ICS840011 SCHEMATIC EXAMPLE

### PC BOARD LAYOUT EXAMPLE

Figure 3B shows an example of P.C. board layout. The crystal X1 footprint in this example allows either surface mount (HC49S) or through hole (HC49) package. C3 is 0805. C1 and C2 are

0402. Other resistors and capacitors are 0603. This layout assumes that the board has clean analog power and ground planes.

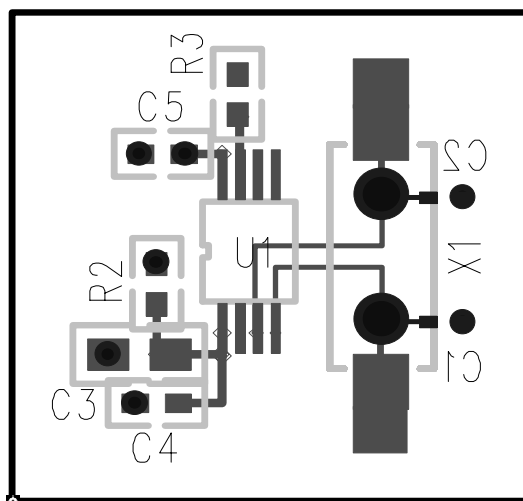


FIGURE 3B. ICS840011 PC BOARD LAYOUT EXAMPLE



Integrated  
Circuit  
Systems, Inc.

# ICS840011

FEMTOCLOCKS™ CRYSTAL-TO-  
LVCMOS/LVTTL CLOCK GENERATOR

## RELIABILITY INFORMATION

TABLE 7.  $\theta_{JA}$  VS. AIR FLOW TABLE FOR 8 LEAD TSSOP

$\theta_{JA}$ by Velocity (Meters Per Second)			
	0	1	2.5
Multi-Layer PCB, JEDEC Standard Test Boards	101.7°C/W	90.5°C/W	89.8°C/W

### TRANSISTOR COUNT

The transistor count for ICS840011 is: 1521

EEPW 电子产品世界 .com.cn





PACKAGE OUTLINE - G SUFFIX FOR 8 LEAD TSSOP

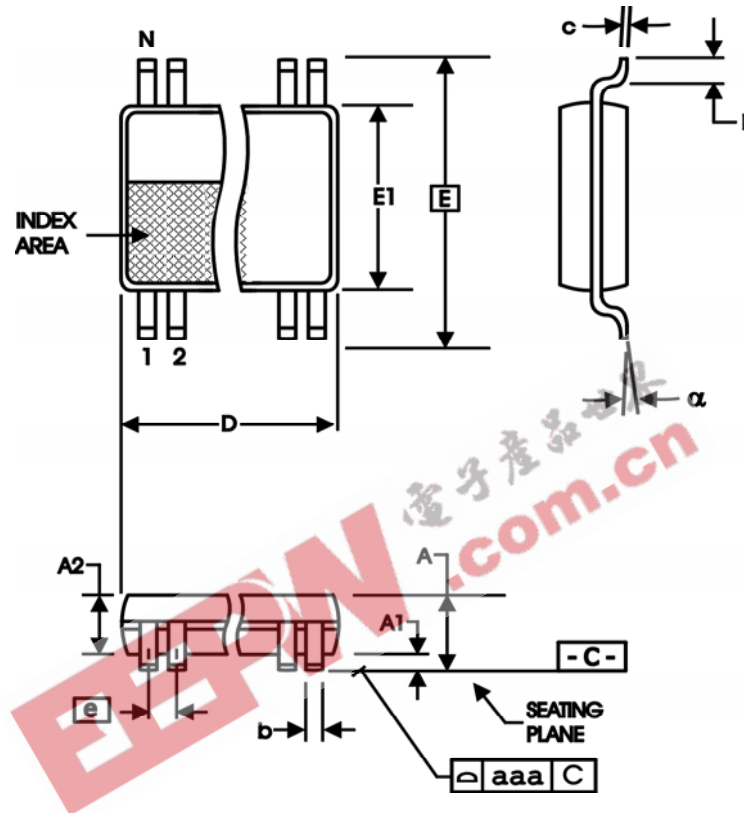


TABLE 8. PACKAGE DIMENSIONS

SYMBOL	Millimeters	
	Minimum	Maximum
N	8	
A	--	1.20
A1	0.05	0.15
A2	0.80	1.05
b	0.19	0.30
c	0.09	0.20
D	2.90	3.10
E	6.40 BASIC	
E1	4.30	4.50
e	0.65 BASIC	
L	0.45	0.75
α	0°	8°
aaa	--	0.10

Reference Document: JEDEC Publication 95, MO-153



Integrated  
Circuit  
Systems, Inc.

# ICS840011

## FEMTOCLOCKS™ CRYSTAL-TO-LVCMOS/LVTTL CLOCK GENERATOR

TABLE 9. ORDERING INFORMATION

Part/Order Number	Marking	Package	Count	Temperature
ICS840011AG	011A	8 lead TSSOP	100 per tube	-30°C to 85°C
ICS840011AGT	011A	8 lead TSSOP on Tape and Reel	2500	-30°C to 85°C
ICS840011AGLN	011AN	8 lead "Lead Free Annealed" TSSOP	100 per tube	-30°C to 85°C
ICS840011AGLNT	011AN	8 lead "Lead Free Annealed" TSSOP on Tape and Reel	2500	-30°C to 85°C

EEPW 电子产品世界  
.com.cn

The aforementioned trademarks, HiPerClockS™ and FemtoClocks™ are a trademark of Integrated Circuit Systems, Inc. or its subsidiaries in the United States and/or other countries.

While the information presented herein has been checked for both accuracy and reliability, Integrated Circuit Systems, Incorporated (ICS) assumes no responsibility for either its use or for infringement of any patents or other rights of third parties, which would result from its use. No other circuits, patents, or licenses are implied. This product is intended for use in normal commercial and industrial applications. Any other applications such as those requiring high reliability or other extraordinary environmental requirements are not recommended without additional processing by ICS. ICS reserves the right to change any circuitry or specifications without notice. ICS does not authorize or warrant any ICS product for use in life support devices or critical medical instruments.



Integrated  
Circuit  
Systems, Inc.

**ICS840011**  
FEMTOCLOCKS™ CRYSTAL-TO-  
LVCMOS/LVTTL CLOCK GENERATOR

REVISION HISTORY SHEET

Rev	Table	Page	Description of Change	Date
A	T9	10	Ordering Information Table - corrected count from 154 per tube to 100.	10/15/04

EEPW 电子产品世界  
.com.cn