

# Image sensor heads for narrow-width scanners

## IA3004-ME10A

Equipped with the sensor chips that have built-in analog memory, this compact color image sensor head is suitable for any scanning applications that require rapid scanning of widths of up to A6. It best fits into the photo graphic applications.

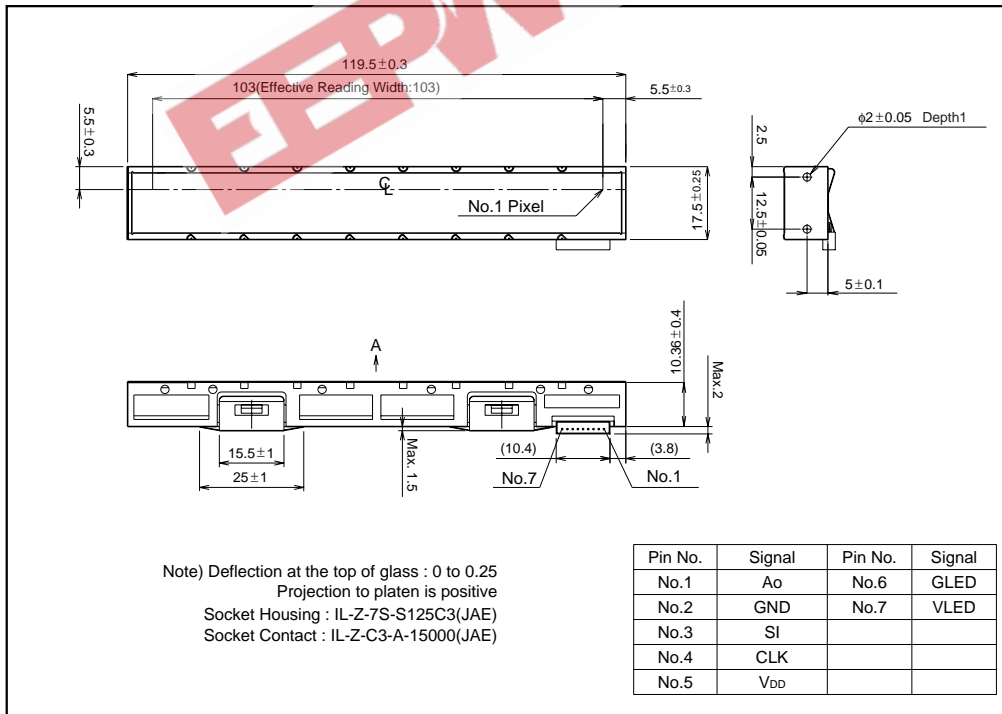
### ●Applications

Check readers, card scanners, and a variety of other image input devices.

### ●Features

- 1) By integrating the signal amplifier on the sensor chip, external noise is shut out. Additionally, newly developed analog memory circuit and realizes high speed scanning.
- 2) The LED light source is mounted on the same substrate as the sensor chip which makes it possible to package the device with lighter weight and an extremely small size.
- 3) With the proprietary prism(reflectors), the output signal is maintained uniformly.
- 4) The ceramic substrate is used for excellent dimensional accuracy and thermal stability.  
Variation and maximize the image re-productivity.

### ●External dimensions (Unit : mm)



## Contact image sensor heads

## ●Characteristics

Parameter	Symbol	Typ.	Unit
Effective scanning width	–	103	mm
Primary scan dot density	–	300	dpi
Total dot number	–	1216	dots
Power supply voltage	V <sub>DD</sub>	5	V
Scanning speed	SLT	0.5	ms / line
Clock frequency	CLK	2.5	MHz
Maximum dynamic range	VRMax.	0.5	V
Minimum dynamic range	VRMin.	0.25	V
Dark output	V <sub>od</sub>	1.0±0.4	V
Operating temperature	–	5 to 45	°C

## ●Pin assignments

No.	Circuit	I / O	Functions
1	Ao	O	Analog output
2	GND	I	Ground
3	SI	I	Serial-in
4	CLK	I	Clock
5	V <sub>DD</sub>	I	Power supply
6	G-LED	I	LED ground
7	V-LED	I	LED power supply

Contact image sensor heads

●Timing chart

(a) CLK Timing Chart

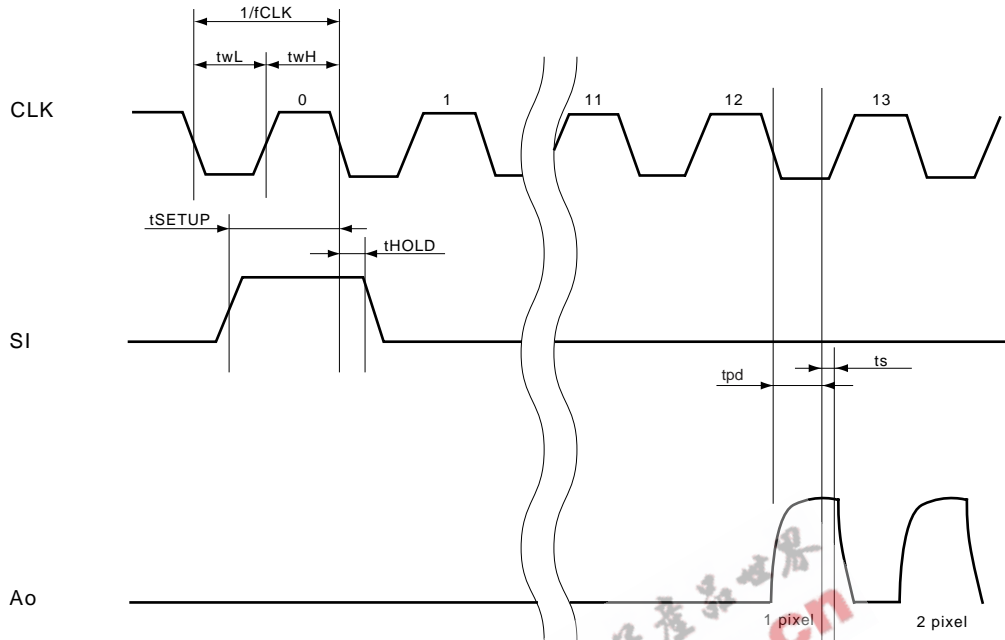
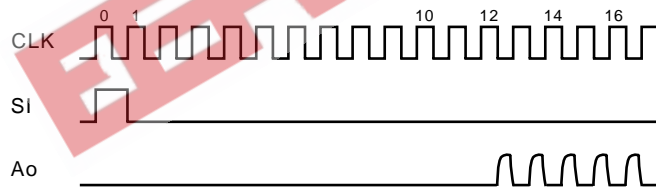


Fig.1

(b) Data Output Timing Chart

After turning on the SI pulse, the analog output shape starts from the setting up point of 12 clock pulse.



Note) Output blank part cannot be used as the analog output standard level.

Contact image sensor heads

●Equivalent circuit

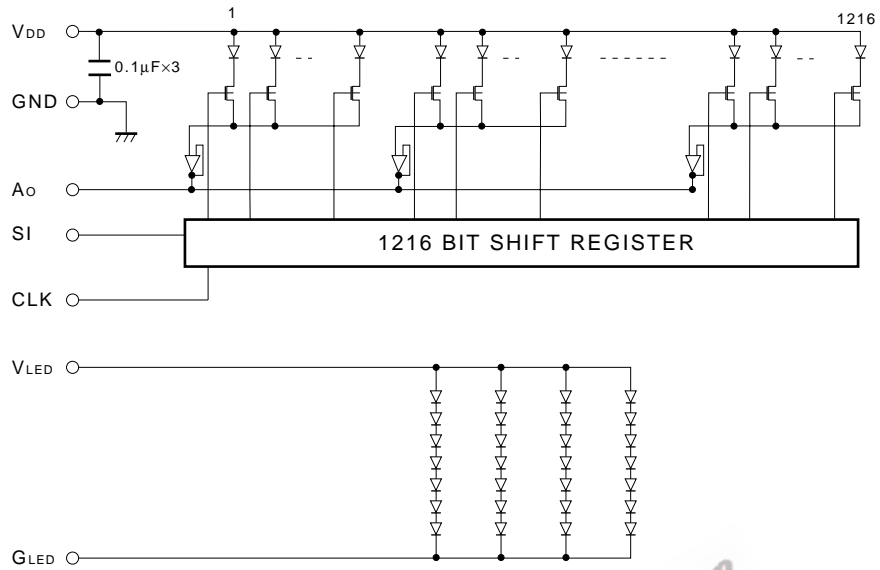


Fig.2

EEPW 电子产品世界 .com.cn

### Notes

- No technical content pages of this document may be reproduced in any form or transmitted by any means without prior permission of ROHM CO.,LTD.
- The contents described herein are subject to change without notice. The specifications for the product described in this document are for reference only. Upon actual use, therefore, please request that specifications to be separately delivered.
- Application circuit diagrams and circuit constants contained herein are shown as examples of standard use and operation. Please pay careful attention to the peripheral conditions when designing circuits and deciding upon circuit constants in the set.
- Any data, including, but not limited to application circuit diagrams information, described herein are intended only as illustrations of such devices and not as the specifications for such devices. ROHM CO.,LTD. disclaims any warranty that any use of such devices shall be free from infringement of any third party's intellectual property rights or other proprietary rights, and further, assumes no liability of whatsoever nature in the event of any such infringement, or arising from or connected with or related to the use of such devices.
- Upon the sale of any such devices, other than for buyer's right to use such devices itself, resell or otherwise dispose of the same, no express or implied right or license to practice or commercially exploit any intellectual property rights or other proprietary rights owned or controlled by
- ROHM CO., LTD. is granted to any such buyer.
- Products listed in this document use silicon as a basic material.  
Products listed in this document are no antiradiation design.

The products listed in this document are designed to be used with ordinary electronic equipment or devices (such as audio visual equipment, office-automation equipment, communications devices, electrical appliances and electronic toys).

Should you intend to use these products with equipment or devices which require an extremely high level of reliability and the malfunction of which would directly endanger human life (such as medical instruments, transportation equipment, aerospace machinery, nuclear-reactor controllers, fuel controllers and other safety devices), please be sure to consult with our sales representative in advance.

#### About Export Control Order in Japan

Products described herein are the objects of controlled goods in Annex 1 (Item 16) of Export Trade Control Order in Japan.

In case of export from Japan, please confirm if it applies to "objective" criteria or an "informed" (by MITI clause) on the basis of "catch all controls for Non-Proliferation of Weapons of Mass Destruction.