



Integrated  
Circuit  
Systems, Inc.

**PRELIMINARY**

# ICS840001I

## FEMTOCLOCKS™ CRYSTAL-TO-LVCMOS/LVTTL CLOCK GENERATOR

### GENERAL DESCRIPTION



The ICS840001I is a Fibre Channel Clock Generator and a member of the HiPerClocks™ family of high performance devices from ICS. The ICS840001I uses a 26.5625MHz crystal to synthesize either 106.25MHz or 212.5MHz, using the FREQ\_SEL pin. The ICS840001I has excellent phase jitter performance, over the 637kHz – 5MHz integration range. The ICS840001I is packaged in a small 8-pin TSSOP, making it ideal for use in systems with limited board space.

### FEATURES

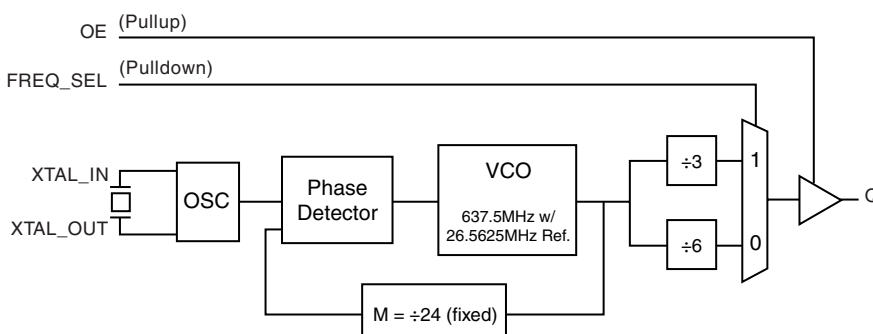
- 1 LVCMOS/LVTTL output, 7Ω typical output impedance
- Crystal oscillator interface designed for 26.5625MHz, 18pF parallel resonant crystal
- Selectable 106.25MHz or 212.5MHz output frequency
- VCO range: 560MHz to 680MHz
- RMS phase jitter @ 106.25MHz, using a 26.5625MHz crystal (637kHz - 5MHz): 0.70ps (typical)
- 3.3V or 2.5V operating supply
- -40°C to 85°C ambient operating temperature

### FUNCTION TABLE

Input	Output Frequencies
FREQ_SEL	
0	106.25MHz (Default)
1	212.5MHz

Crystal: 26.5625MHz

### BLOCK DIAGRAM



### PIN ASSIGNMENT

VDDA	1	8	VDD
OE	2	7	Q
XTAL_OUT	3	6	GND
XTAL_IN	4	5	FREQ_SEL

#### ICS840001I

#### 8-Lead TSSOP

4.40mm x 3.0mm x 0.925mm  
package body  
**G Package**  
Top View

The Preliminary Information presented herein represents a product in prototyping or pre-production. The noted characteristics are based on initial product characterization. Integrated Circuit Systems, Incorporated (ICS) reserves the right to change any circuitry or specifications without notice.



Integrated  
Circuit  
Systems, Inc.

**PRELIMINARY**

**ICS840001**  
FEMTOCLOCKS™ CRYSTAL-TO-  
LVCMOS/LVTTL CLOCK GENERATOR

**TABLE 1. PIN DESCRIPTIONS**

Number	Name	Type		Description
1	V <sub>DDA</sub>	Power		Analog supply pin.
2	OE	Input	Pullup	Output enable pin. When HIGH, Q output is enabled. When LOW, forces Q to HiZ state. LVCMOS/LVTTL interface levels.
3, 4	XTAL_OUT, XTAL_IN	Input		Crystal oscillator interface. XTAL_IN is the input. XTAL_OUT is the output.
5	FREQ_SEL	Input	Pulldown	Frequency select pin. LVCMOS/LVTTL interface levels.
6	GND	Power		Power supply ground.
7	Q	Output		Single-ended clock output. LVCMOS/LVTTL interface levels. 7Ω typical output impedance.
8	V <sub>DD</sub>	Power		Core supply pin.

NOTE: *Pullup* and *Pulldown* refer to internal input resistors. See Table 2, Pin Characteristics, for typical values.

**TABLE 2. PIN CHARACTERISTICS**

Symbol	Parameter	Test Conditions	Minimum	Typical	Maximum	Units
C <sub>IN</sub>	Input Capacitance			4		pF
C <sub>PD</sub>	Power Dissipation Capacitance	V <sub>DD</sub> , V <sub>DDA</sub> = 3.465V		TBD		pF
		V <sub>DD</sub> , V <sub>DDA</sub> = 2.625V		TBD		pF
R <sub>PULLUP</sub>	Input Pullup Resistor			51		kΩ
R <sub>PULLDOWN</sub>	Input Pulldown Resistor			51		kΩ
R <sub>OUT</sub>	Output Impedance		5	7	12	Ω

**TABLE 3. CONTROL FUNCTION TABLE**

Control Inputs	Output
OE	Q
0	Hi-Z
1	Active



Integrated  
Circuit  
Systems, Inc.

**PRELIMINARY**

**ICS840001**  
FEMTOCLOCKS™ CRYSTAL-TO-  
LVCMOS/LVTTL CLOCK GENERATOR

**ABSOLUTE MAXIMUM RATINGS**

Supply Voltage, $V_{DD}$	4.6V
Inputs, $V_I$	-0.5V to $V_{DD} + 0.5V$
Outputs, $V_O$	-0.5V to $V_{DD} + 0.5V$
Package Thermal Impedance, $\theta_{JA}$	101.7°C/W (0 mps)
Storage Temperature, $T_{STG}$	-65°C to 150°C

NOTE: Stresses beyond those listed under Absolute Maximum Ratings may cause permanent damage to the device. These ratings are stress specifications only. Functional operation of product at these conditions or any conditions beyond those listed in the *DC Characteristics* or *AC Characteristics* is not implied. Exposure to absolute maximum rating conditions for extended periods may affect product reliability.

**TABLE 4A. POWER SUPPLY DC CHARACTERISTICS,  $V_{DD} = V_{DDA} = 3.3V \pm 5\%$ ,  $T_A = -40^\circ C$  TO  $85^\circ C$**

Symbol	Parameter	Test Conditions	Minimum	Typical	Maximum	Units
$V_{DD}$	Core Supply Voltage		3.135	3.3	3.465	V
$V_{DDA}$	Analog Supply Voltage		3.135	3.3	3.465	V
$I_{DD}$	Power Supply Current			75		mA
$I_{DDA}$	Analog Supply Current			8		mA

**TABLE 4B. POWER SUPPLY DC CHARACTERISTICS,  $V_{DD} = V_{DDA} = 2.5V \pm 5\%$ ,  $T_A = -40^\circ C$  TO  $85^\circ C$**

Symbol	Parameter	Test Conditions	Minimum	Typical	Maximum	Units
$V_{DD}$	Core Supply Voltage		2.375	2.5	2.625	V
$V_{DDA}$	Analog Supply Voltage		2.375	2.5	2.625	V
$I_{DD}$	Power Supply Current			73		mA
$I_{DDA}$	Analog Supply Current			8		mA

**TABLE 4C. LVCMOS/LVTTL DC CHARACTERISTICS,  $V_{DD} = V_{DDA} = 3.3V \pm 5\%$  OR  $2.5V \pm 5\%$ ,  $T_A = -40^\circ C$  TO  $85^\circ C$**

Symbol	Parameter	Test Conditions	Minimum	Typical	Maximum	Units
$V_{IH}$	Input High Voltage	$V_{DD} = 3.3V$	2		$V_{DD} + 0.3$	V
		$V_{DD} = 2.5V$	1.7		$V_{DD} + 0.3$	V
$V_{IL}$	Input Low Voltage	$V_{DD} = 3.3V$	-0.3		0.8	V
		$V_{DD} = 2.5V$	-0.3		0.7	V
$I_{IH}$	Input High Current	FREQ_SEL $V_{DD} = V_{IN} = 3.465V$ or $2.625V$			150	$\mu A$
		OE $V_{DD} = V_{IN} = 3.465V$ or $2.625V$			5	$\mu A$
$I_{IL}$	Input Low Current	FREQ_SEL $V_{DD} = 3.465V$ or $2.625V$ , $V_{IN} = 0V$	-5			$\mu A$
		OE $V_{DD} = 3.465V$ or $2.625V$ , $V_{IN} = 0V$	-150			$\mu A$
$V_{OH}$	Output High Voltage; NOTE 1	$V_{DD} = 3.465V$	2.6			V
		$V_{DD} = 2.625V$	1.8			V
$V_{OL}$	Output Low Voltage; NOTE 1	$V_{DD} = 3.465V$ or $2.625V$			0.5	V

NOTE 1: Outputs terminated with  $50\Omega$  to  $V_{DD}/2$ . See Parameter Measurement Information Section, "Output Load Test Circuit" diagrams.



Integrated  
Circuit  
Systems, Inc.

**PRELIMINARY**

**ICS840001**  
FEMTOCLOCKS™ CRYSTAL-TO-  
LVCMOS/LVTTL CLOCK GENERATOR

**TABLE 5. CRYSTAL CHARACTERISTICS**

Parameter	Test Conditions	Minimum	Typical	Maximum	Units
Mode of Oscillation		Fundamental			
Frequency			26.5625		MHz
Equivalent Series Resistance (ESR)				50	$\Omega$
Shunt Capacitance				7	pF
Drive Level				1	mW

**TABLE 6A. AC CHARACTERISTICS,  $V_{DD} = V_{DDA} = 3.3V \pm 5\%$ ,  $T_A = -40^\circ C$  TO  $85^\circ C$**

Symbol	Parameter	Test Conditions	Minimum	Typical	Maximum	Units
$f_{OUT}$	Output Frequency	FREQ_SEL = 1	186.66	212.5	226.66	MHz
		FREQ_SEL = 0	98.33	106.25	113.33	MHz
$f_{jit}(\emptyset)$	RMS Phase Jitter (Random); NOTE 1	$f_{OUT} = 106.25\text{MHz}$ , (637kHz to 5MHz)		0.70		ps
		$f_{OUT} = 212.5\text{MHz}$ , (2.55MHz to 20MHz)		0.50		ps
$t_R / t_F$	Output Rise/Fall Time	20% to 80%		400		ps
odc	Output Duty Cycle			50		%

All parameters are characterized @ 212.5MHz and 106.25MHz.

NOTE 1: Please refer to the Phase Noise Plots following this section.

**TABLE 6B. AC CHARACTERISTICS,  $V_{DD} = V_{DDA} = 2.5V \pm 5\%$ ,  $T_A = -40^\circ C$  TO  $85^\circ C$**

Symbol	Parameter	Test Conditions	Minimum	Typical	Maximum	Units
$f_{OUT}$	Output Frequency	FREQ_SEL = 1	186.66	212.5	226.66	MHz
		FREQ_SEL = 0	93.33	106.25	113.33	MHz
$f_{jit}(\emptyset)$	RMS Phase Jitter (Random); NOTE 1	$f_{OUT} = 106.25\text{MHz}$ , (637kHz to 5MHz)		0.70		ps
		$f_{OUT} = 212.5\text{MHz}$ , (2.55MHz to 20MHz)		0.50		ps
$t_R / t_F$	Output Rise/Fall Time	20% to 80%		450		ps
odc	Output Duty Cycle			50		%

All parameters are characterized @ 212.5MHz and 106.25MHz.

NOTE 1: Please refer to the Phase Noise Plots following this section.

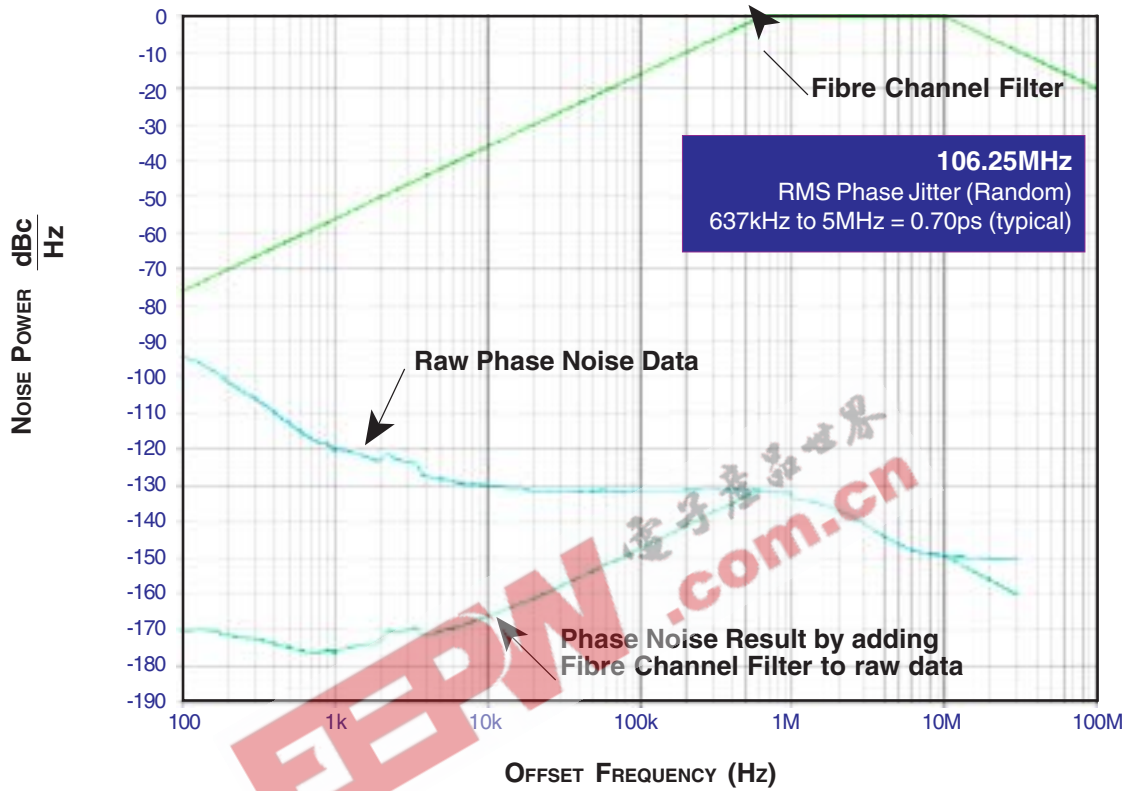


Integrated  
Circuit  
Systems, Inc.

**PRELIMINARY**

**ICS840001I**  
FEMTOCLOCKS™ CRYSTAL-TO-  
LVCMOS/LVTTL CLOCK GENERATOR

**TYPICAL PHASE NOISE AT 106.25MHz**



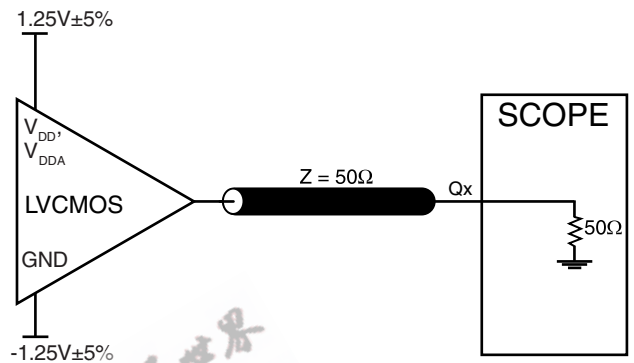
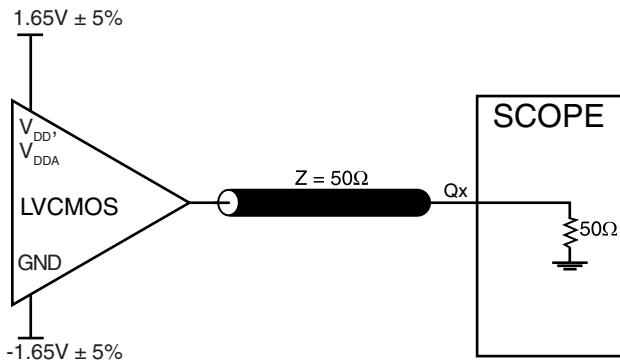


Integrated  
Circuit  
Systems, Inc.

**PRELIMINARY**

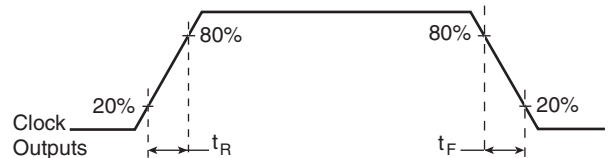
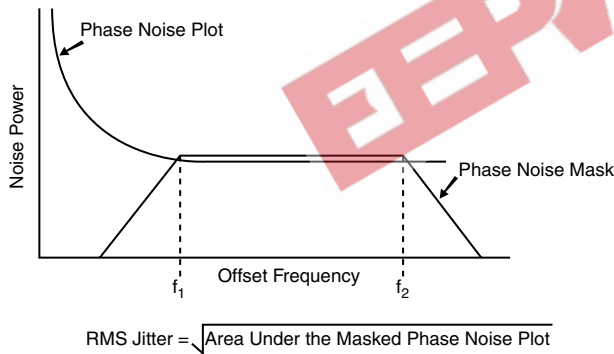
**ICS840001**  
FEMTOCLOCKS™ CRYSTAL-TO-  
LVCMOS/LVTTL CLOCK GENERATOR

**PARAMETER MEASUREMENT INFORMATION**



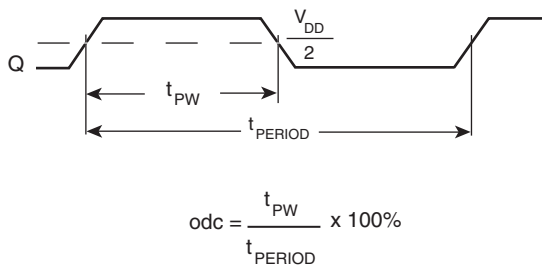
**3.3V OUTPUT LOAD AC TEST CIRCUIT**

**2.5V OUTPUT LOAD AC TEST CIRCUIT**



**RMS PHASE JITTER**

**OUTPUT RISE/FALL TIME**



**OUTPUT DUTY CYCLE/PULSE WIDTH/PERIOD**



Integrated  
Circuit  
Systems, Inc.

**PRELIMINARY**

**ICS840001I**  
FEMTOCLOCKS™ CRYSTAL-TO-  
LVCMOS/LVTTL CLOCK GENERATOR

## APPLICATION INFORMATION

### POWER SUPPLY FILTERING TECHNIQUES

As in any high speed analog circuitry, the power supply pins are vulnerable to random noise. The ICS840001I provides separate power supplies to isolate any high switching noise from the outputs to the internal PLL.  $V_{DD}$  and  $V_{DDA}$  should be individually connected to the power supply plane through vias, and bypass capacitors should be used for each pin. To achieve optimum jitter performance, power supply isolation is required. *Figure 1* illustrates how a  $10\Omega$  resistor along with a  $10\mu\text{F}$  and a  $.01\mu\text{F}$  bypass capacitor should be connected to each  $V_{DDA}$  pin.

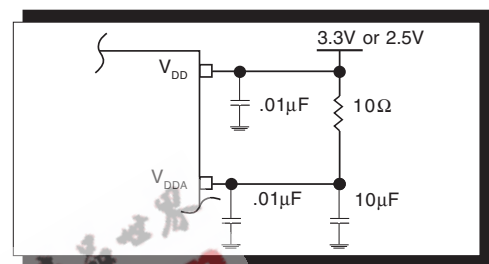


FIGURE 1. POWER SUPPLY FILTERING

### CRYSTAL INPUT INTERFACE

The ICS840001I has been characterized with  $18\text{pF}$  parallel resonant crystals. The capacitor values,  $C1$  and  $C2$ , shown in *Figure 2* below were determined using a  $26.5625\text{MHz}$ ,  $18\text{pF}$  parallel resonant crystal and were chosen to minimize the ppm error. The optimum  $C1$  and  $C2$  values can be slightly adjusted for different board layouts.

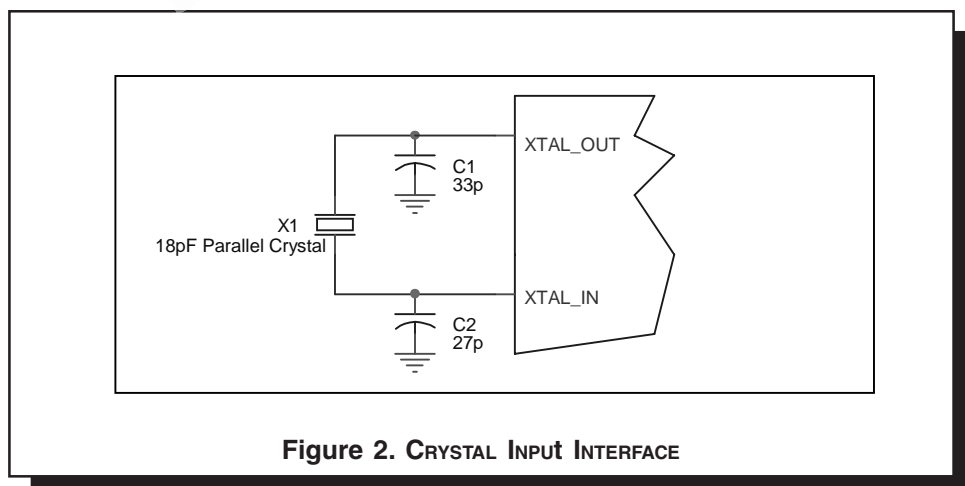


Figure 2. CRYSTAL INPUT INTERFACE



Integrated  
Circuit  
Systems, Inc.

## PRELIMINARY

# ICS840001 FEMTOCLOCKS™ CRYSTAL-TO- LVCMOS/LVTTL CLOCK GENERATOR

### LAYOUT GUIDELINE

Figure 3A shows a schematic example of the ICS840001. An example of LVCMOS termination is shown in this schematic. Additional LVCMOS termination approaches are shown in the LVCMOS Termination Application Note. In this example, an 18 pF parallel resonant 26.5625MHz crystal is used. The C1=27pF and C2=33pF are recommended for frequency accuracy. For

different board layout, the C1 and C2 may be slightly adjusted for optimizing frequency accuracy. The output frequency can be set at either 106.25MHz or 212.5MHz. Leaving the R1 uninstalled (or install 1k  $\Omega$  pull-down) will set the output frequency at 106.25MHz. Installing the R1 pull up will set the output frequency at 212.5MHz.

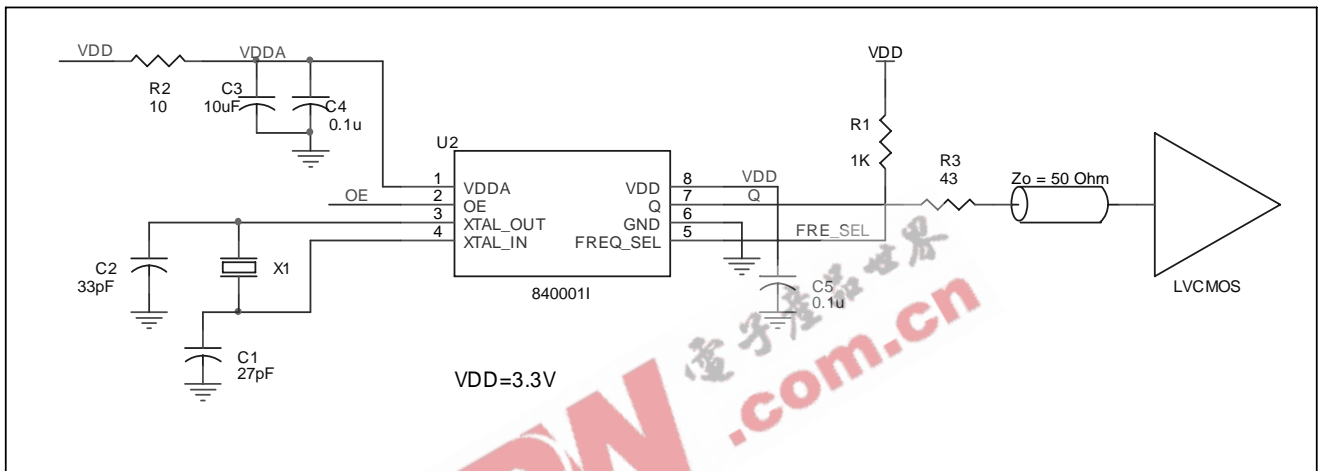


FIGURE 3A. ICS840001 SCHEMATIC EXAMPLE

### PC BOARD LAYOUT EXAMPLE

Figure 3B shows an example of P.C. board layout. The crystal X1 footprint in this example allows either surface mount (HC49S) or through hole (HC49) package. C3 is 0805. C1 and C2 are

0402. Other resistors and capacitors are 0603. This layout assumes that the board has clean analog power and ground planes.

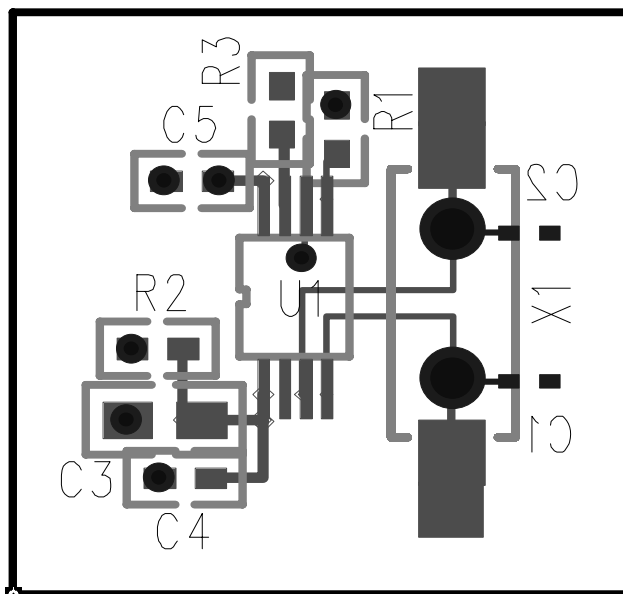


FIGURE 3B. ICS840001 PC BOARD LAYOUT EXAMPLE





Integrated  
Circuit  
Systems, Inc.

**PRELIMINARY**

**ICS840001I**  
FEMTOCLOCKS™ CRYSTAL-TO-  
LVCMOS/LVTTL CLOCK GENERATOR

## RELIABILITY INFORMATION

TABLE 7.  $\theta_{JA}$  VS. AIR FLOW TABLE FOR 8 LEAD TSSOP

$\theta_{JA}$ by Velocity (Meters Per Second)			
	0	1	2.5
Multi-Layer PCB, JEDEC Standard Test Boards	101.7°C/W	90.5°C/W	89.8°C/W

### TRANSISTOR COUNT

The transistor count for ICS840001I is: 1521

EEPW 电子产品世界 .com.cn



Integrated  
Circuit  
Systems, Inc.

# PRELIMINARY

# ICS840001 FEMTOCLOCKS™ CRYSTAL-TO- LVCMOS/LVTTL CLOCK GENERATOR

## PACKAGE OUTLINE - G SUFFIX FOR 8 LEAD TSSOP

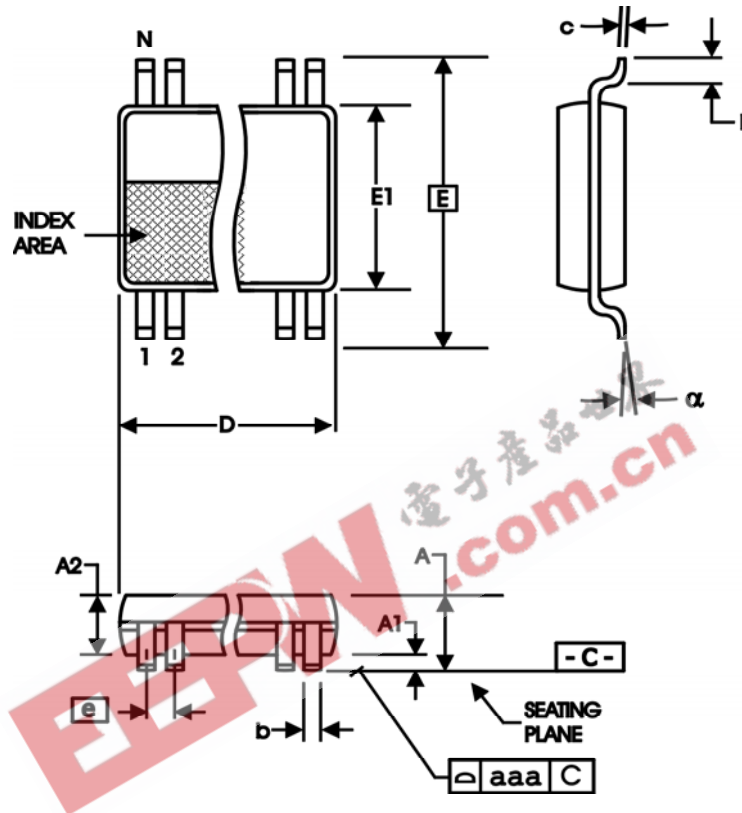


TABLE 8. PACKAGE DIMENSIONS

SYMBOL	Millimeters	
	Minimum	Maximum
N	8	
A	--	1.20
A1	0.05	0.15
A2	0.80	1.05
b	0.19	0.30
c	0.09	0.20
D	2.90	3.10
E	6.40 BASIC	
E1	4.30	4.50
e	0.65 BASIC	
L	0.45	0.75
$\alpha$	0°	8°
aaa	--	0.10

Reference Document: JEDEC Publication 95, MO-153



Integrated  
Circuit  
Systems, Inc.

**PRELIMINARY**

**ICS840001**  
FEMTOCLOCKS™ CRYSTAL-TO-  
LVCMOS/LVTTL CLOCK GENERATOR

**TABLE 9. ORDERING INFORMATION**

Part/Order Number	Marking	Package	Shipping Packaging	Temperature
ICS840001AGI	001AI	8 lead TSSOP	tube	-40°C to 85°C
ICS840001AGIT	001AI	8 lead TSSOP	2500 tape & reel	-40°C to 85°C

EEPW 电子产品世界  
.com.cn

The aforementioned trademarks, HiPerClockS™ and FemtoClocks™ are trademarks of Integrated Circuit Systems, Inc. or its subsidiaries in the United States and/or other countries. While the information presented herein has been checked for both accuracy and reliability, Integrated Circuit Systems, Incorporated (ICS) assumes no responsibility for either its use or for infringement of any patents or other rights of third parties, which would result from its use. No other circuits, patents, or licenses are implied. This product is intended for use in normal commercial and industrial applications. Any other applications such as those requiring high reliability or other extraordinary environmental requirements are not recommended without additional processing by ICS. ICS reserves the right to change any circuitry or specifications without notice. ICS does not authorize or warrant any ICS product for use in life support devices or critical medical instruments.