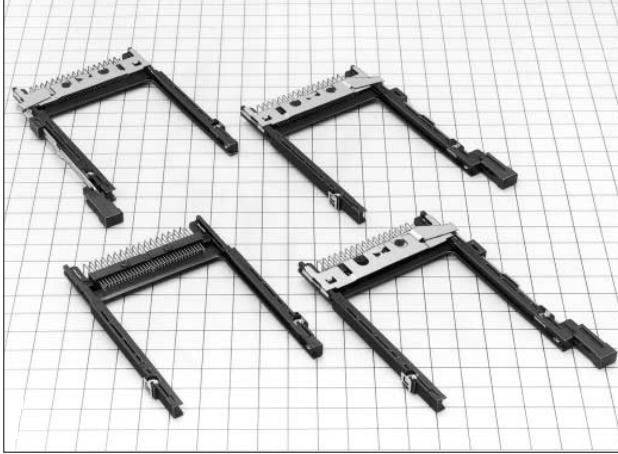


# Single Slot Connector for PC Card Type III

## IC7 Series



### ■ Features

#### 1. PC Card Standard compliant:

Type I, type II and type III cards are covered. Terminals for grounding are provided.

#### 2. Space saving and Lightweight

Connector height is minimized to 5.4mm, and weight is 12.5g.

#### 3. Eject mechanism

Hirose's unique ejection mechanism provides an higher degree of card ejection over existing products.

### ■ Product Specifications

Rating	Current rating	0.5 A	Operating temperature range	-55°C to +85°C (Note 1)	Storage temperature range	-40°C to +70°C (Note 2)
	Voltage rating	125V AC	Operating humidity range (No condensation)	Relative humidity 95% max.	Storage humidity range	Relative humidity 40% to 70%

Item	Specification	Conditions
1. Insulation resistance	1000 M ohms min.	500 V DC
2. Withstanding voltage	No flashover or insulation breakdown	500 V AC / 1 minute
3. Contact resistance	40 m ohms max. (Initial value)	1mA
4. Vibration	No electrical discontinuity of 100ns or more	Frequency: 10 to 2000 Hz, full amplitude of 1.52 mm or acceleration of 147m/s <sup>2</sup> , 4 hours in each of the 3 directions
5. Humidity (Steady state)	Insulation resistance: 100 M ohms min.	96 hours at temperature of 40°C and humidity of 90% to 95%
6. Temperature cycle	No damage, cracks, or parts looseness	Temperature: -55°C → +15°C to +35°C → +85°C → +15°C to +35°C Time: 30 → 5 max. → 30 → 5 max. (Minutes) 5 cycles
7. Durability (insertion/ withdrawal)	Contact resistance: 20 m ohms max. from initial value	10000 cycles at 400 to 600 cycles per hour
8. Resistance to soldering heat	No deformation of the insulator parts affecting performance	Manual soldering: 300°C for 3 seconds

Note 1: Includes temperature rise caused by current flow.

Note 2: The term "storage" refers to products stored for long period of time prior to mounting and use. Operating Temperature Range and Humidity range covers non- conducting condition of installed connectors in storage, shipment or during transportation.

### ■ Material

Part		Material	Finish	Remarks
Insulator	Connector	PBT	Color: Black	UL94V-0
	Eject Button	PA	Color: Black	UL94V-0
Contact	Connector	Brass	Contact area: gold plating	—
	Terminals for grounding		Phosphor bronze	Gold plating
Eject metal fitting		Stainless steel	—	—
Locking pins		Phosphor bronze	Solder plating	—
Nuts		Steel	Nickel plating	—

## ■ Ordering Information

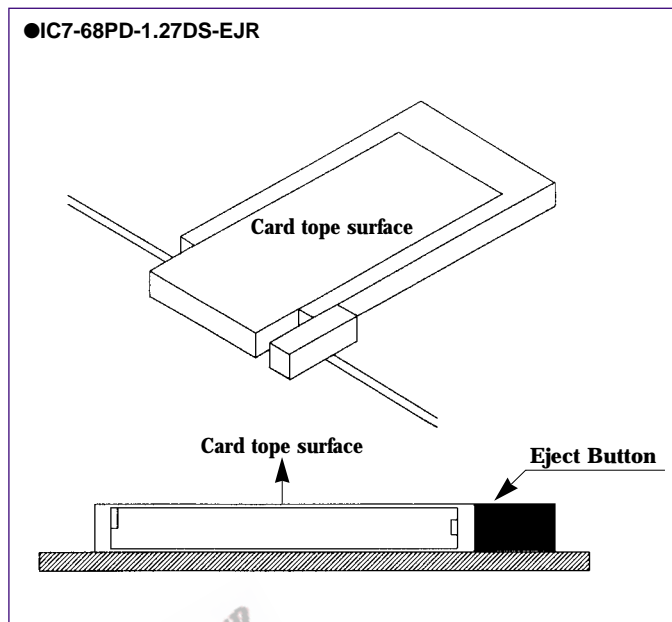
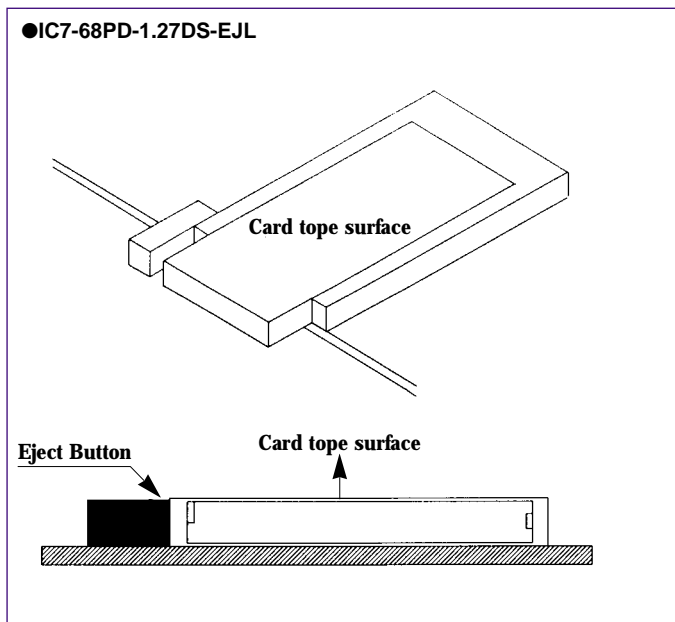
1 **IC7** - 2 **68** 3 **PDR** - 4 **1.27** 5 **DS** - 6 **EJR**

①	Series Name : IC7
②	Number of contacts : 68
③	Board mounting type PD : Standard PDR : Reverse
④	Contact pitch : 1.27mm
⑤	Board Mounting Type DS : Right angle Dip
⑥	Ejector type No letter: Without Eject Button EJR : Right Eject Button EJL : Left Eject Button

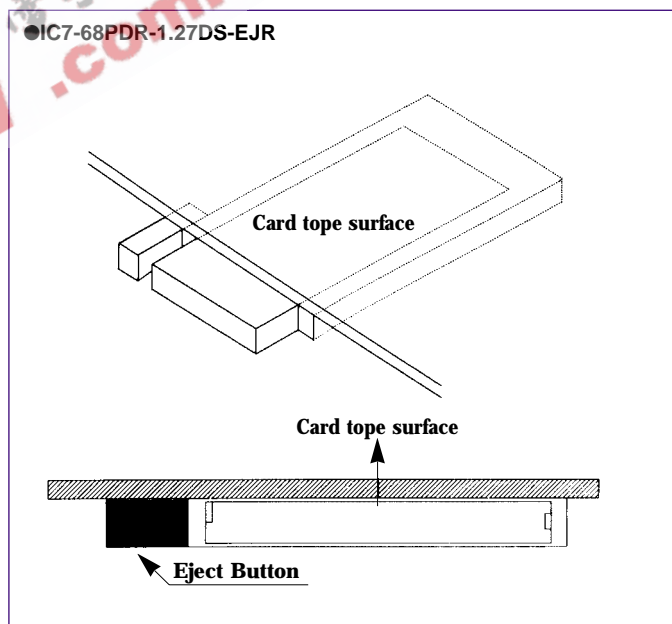
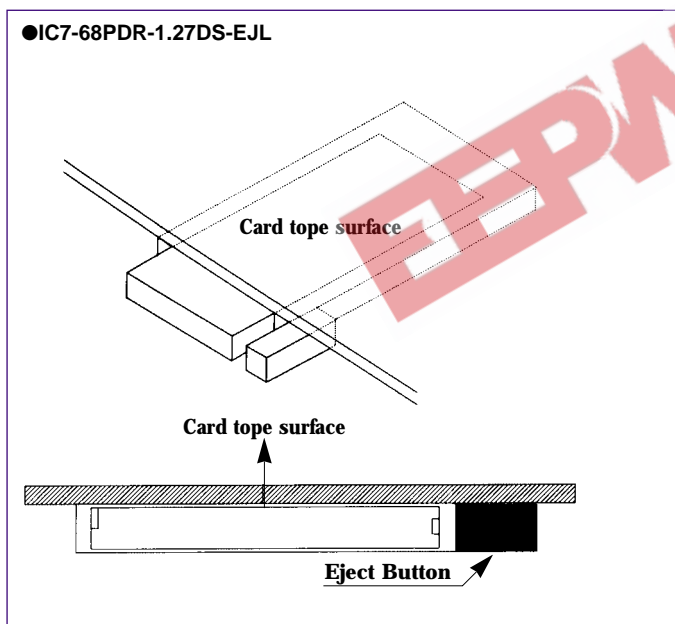
EEPW.com.cn 电子产品世界

## ◆ Examples of Connector Mounting

### Standard type



### Reverse type



## Single Slot Connector

● Right Eject Button

● Standard type, Reverse type

Standard  
IC7-68PD-1.27DS-EJR  
CL640-0401-0

Reverse  $\triangleleft$  4  
IC7-68PDR-1.27DS-EJR  
CL640-0402-2

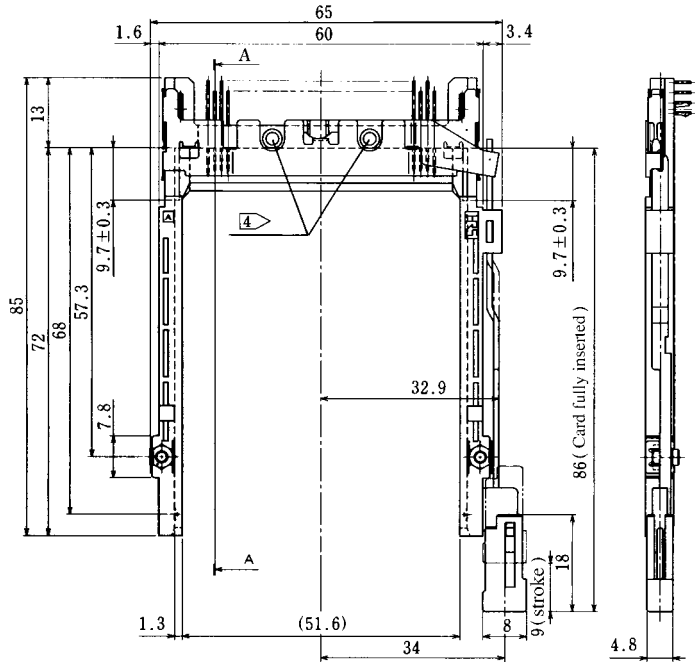
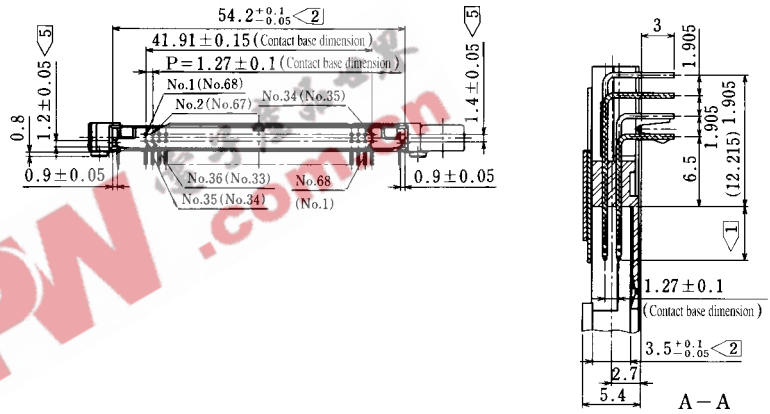


Table 1  $\triangleleft$  1

Contact No.	Contact Length
1, 17, 34, 35, 51, 68	5.0 ±0.1
36, 67	3.5 ±0.1
Other than above	4.25±0.1



Note  $\triangleleft$  1 The contacts length is indicated in Table 1.

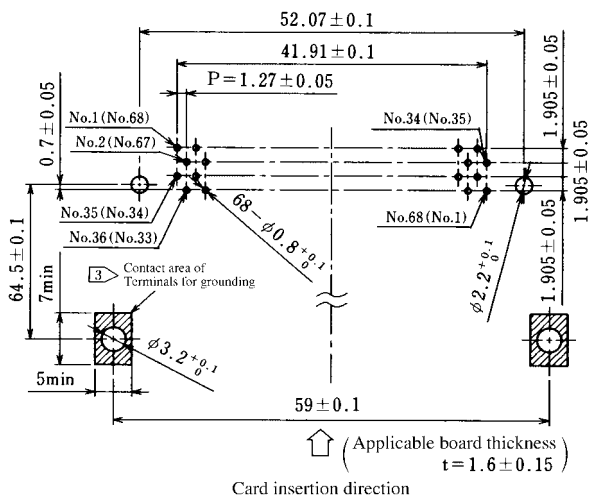
$\triangleleft$  2 The applicable range of indicated dimensions ( $54.2^{+0.1}_{-0.05}$ ,  $3.5^{+0.1}_{-0.05}$ ) are taken as 10mm from the bottom.

$\triangleleft$  3 The terminal for grounding should be securely fastened from the bottom surface of the board using a screw (M2×0.4), flat washer and lock washer.

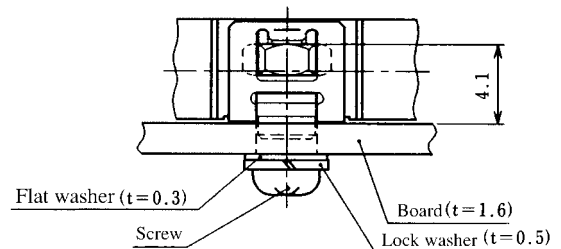
$\triangleleft$  4 Pay attention to the Contact No. since the reverse type is marked "R". See the numbers in parentheses ( ) for the Contact No. of the reverse type.

$\triangleleft$  5 The guide groove dimensions of the reverse type are left-right reversed.

## PCB mounting pattern



## Example of Screw Fastening (Recommendation)



## Single Slot Connector

● Left Eject Button

● Standard type, Reverse type

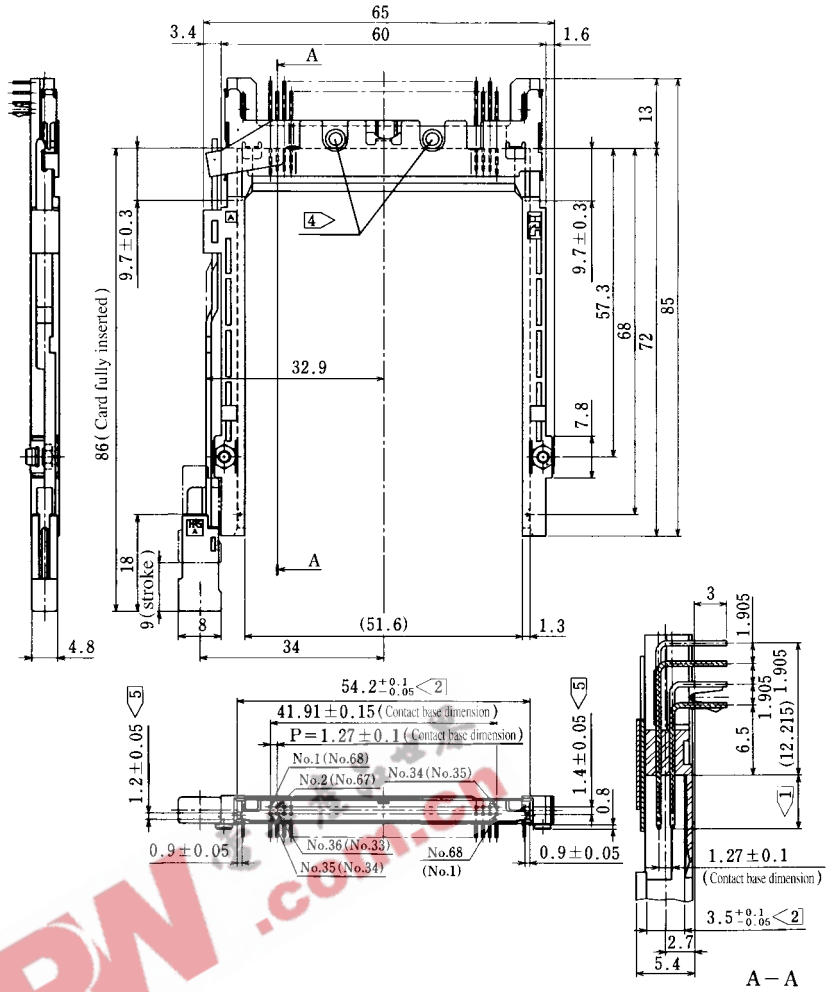
Standard  
IC7-68PD-1.27DS-EJL  
CL640-0403-5

Reverse **4**  
IC7-68PDR-1.27DS-EJL  
CL640-0404-8



Table 1 **1**

Contact No.	Contact Length
1, 17, 34, 35, 51, 68	5.0 ±0.1
36, 67	3.5 ±0.1
Other than above	4.25±0.1



Note **1** The contacts length is indicated in Table 1.

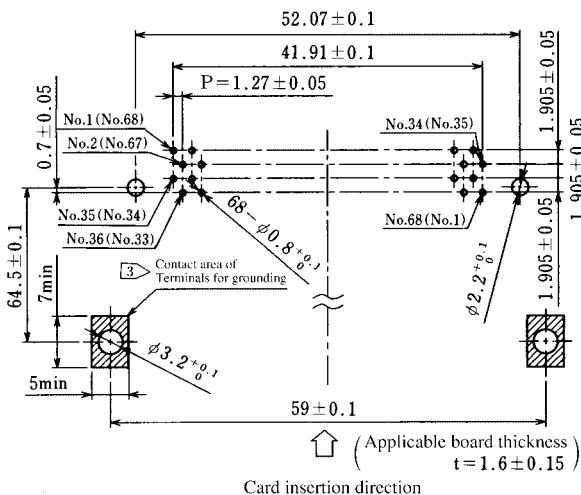
**2** The applicable range of indicated dimensions ( $54.2^{+0.1}_{-0.05}$ ,  $3.5^{+0.1}_{-0.05}$ ) are taken as 10mm from the bottom.

**3** The terminal for grounding should be securely fastened from the bottom surface of the board using a screw (M2×0.4), flat washer and lock washer.

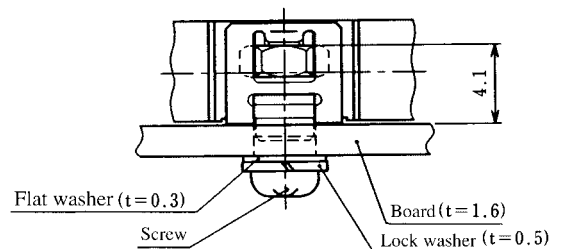
**4** Pay attention to the Contact No. since the reverse type is marked "R". See the numbers in parentheses ( ) for the Contact No. of the reverse type.

**5** The guide groove dimensions of the reverse type are left-right reversed.

## PCB mounting pattern



## Example of Screw Fastening (Recommendation)



## Single Slot Connector

● Without Eject Button

● Standard type

IC7-68PD-1.27DS  
CL640-0405-0

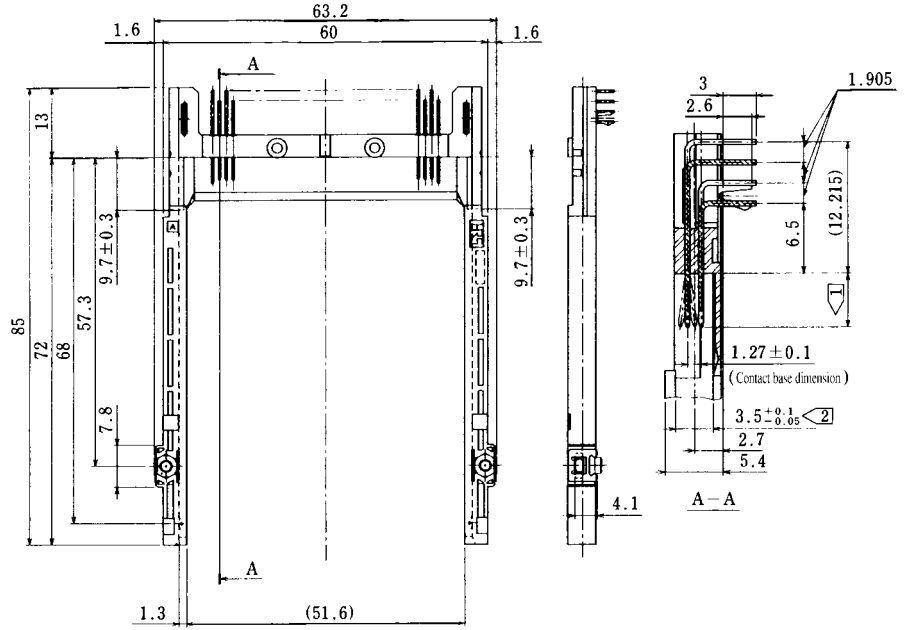
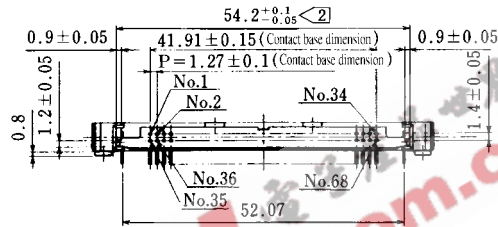


Table 1 ①

Contact No.	Contact Length
1, 17, 34, 35, 51, 68	$5.0 \pm 0.1$
36, 67	$3.5 \pm 0.1$
Other than above	$4.25 \pm 0.1$



Note ① The contacts length is indicated in Table 1.

② The applicable range of indicated dimensions ( $54.2^{+0.1}_{-0.05}$ ,  $3.5^{+0.1}_{-0.05}$ ) are taken as 10mm from the bottom.

③ The terminal for grounding should be securely fastened from the bottom surface of the board using a screw (M2×0.4), flat washer and lock washer.

## PCB mounting pattern

## Example of Screw Fastening (Recommendation)

