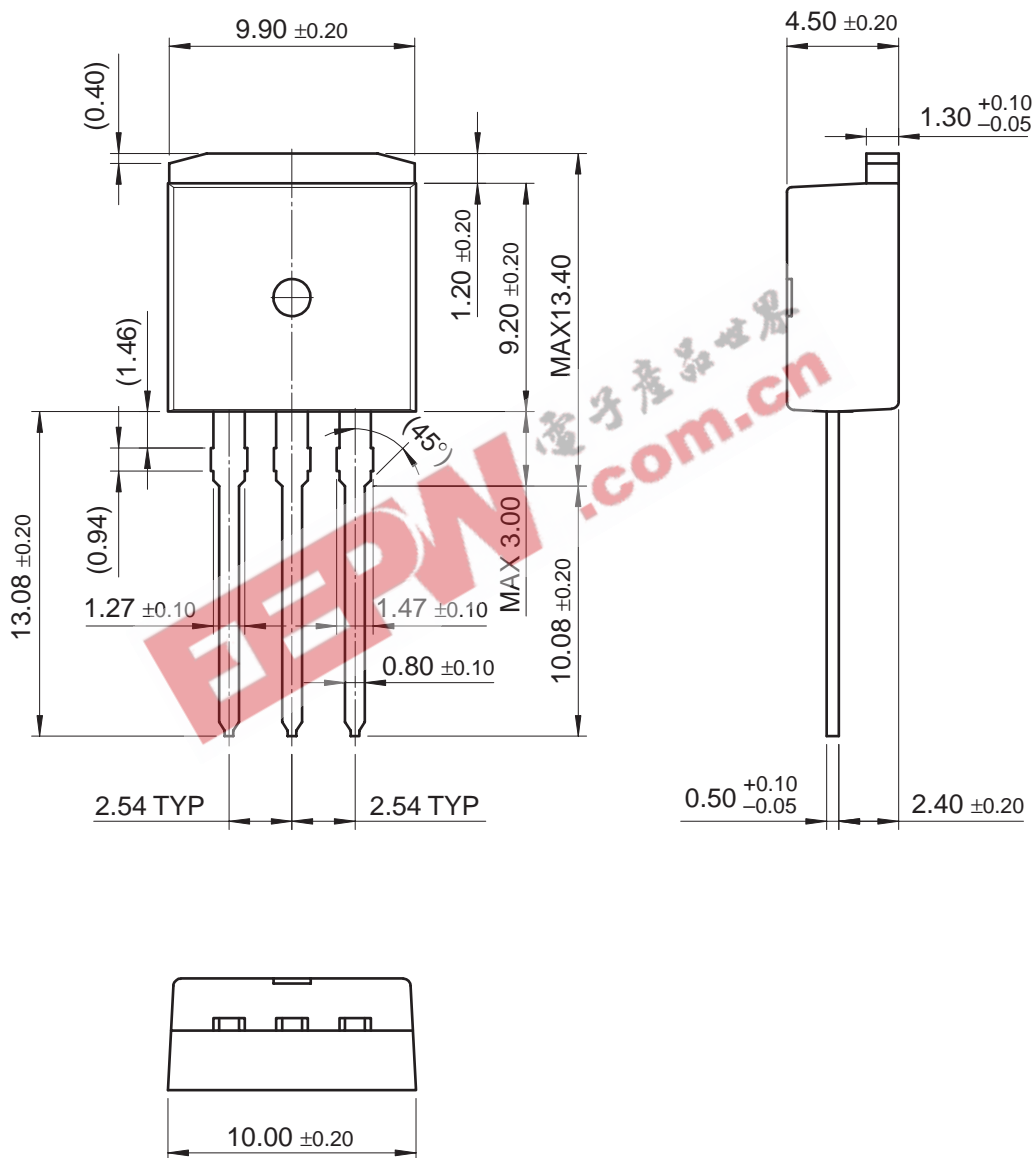


I²PAK Package Dimensions



I²PAK (FS PKG CODE AO)



Dimensions in Millimeters

August 1999, Rev B