

## ILC7280 *Advance*

Micropower Dual 150mA CMOS RF LDO™ Regulators with 75dB Ripple Rejection



### General Description

The ILC7280 is two independent 150mA low dropout (LDO) voltage regulators in an 8-pin MSOP package. Each regulator output is independently short circuit protected and has independent enable lines. The device offers a unique combination of low dropout voltage and low quiescent current of CMOS as well as the low noise and high ripple rejection characteristics of bipolar LDO regulators. Moreover, only one input capacitor is required.

**Dropout Voltage:** Typically 150mV at 150mA load, and 1mV at 1mA load.

**Ground pin current:** Typically 130µA at 1mA load, and 135µA at 150mA load.

**Ripple Rejection:** 55dB at 1kHz and 60dB at 100kHz.

**Shutdown mode:** Less than 0.5µA quiescent current in shutdown mode.

**Small package:** MSOP-8

**Small capacitor:** Requires only a 0.47µF external capacitor on the regulator output.

**Precision output:** Output voltage trimmed to 1% accuracy.

**Output Noise:** 80µV<sub>RMS</sub>, optional noise bypass capacitor at pin 3 will further reduce noise on V<sub>OUTA/B</sub>

**Voltage Pairings available:** 3.0/3.0V, 3.0/2.8V, 3.0/2.5V, 2.8/2.8V

### Features

- Guaranteed 150mA output per regulator
- Ultra low 150mV dropout at 150mA
- 1% output voltage accuracy
- Requires only 0.47µF output capacitor
- Only 150µA ground current at 150mA load
- 60dB ripple rejection at 1kHz (C<sub>OUT</sub> = 0.47µF)
- 80µV<sub>RMS</sub> noise at BW = 300Hz to 50kHz
- Excellent line and load transient response
- Over current / over temperature protection
- 8-pin MSOP package
- -60dB cross talk

### Applications

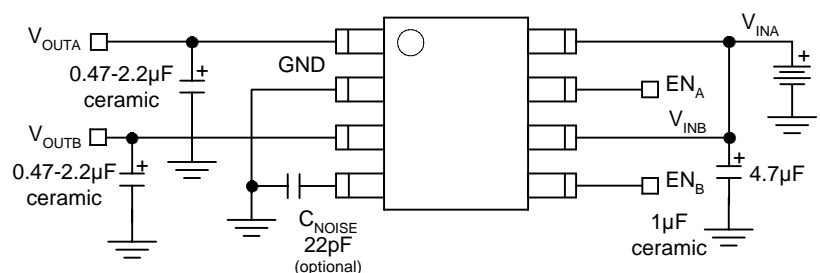
- Cellular Phones, pagers and wireless headsets
- Palmtops, organizers, PDAs and portable electronics
- Battery powered portable appliances and equipment
- Remote data accumulation and instrumentation

### Ordering Information\* (T<sub>A</sub> = -40°C to +85°C)

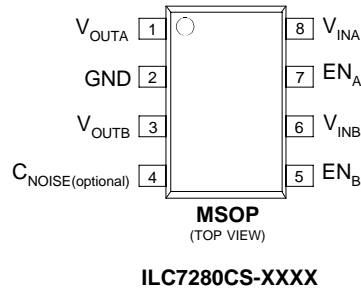
ILC7280CS-2530	150mA 2.5V and 3.0V LDO regulators
ILC7280CS-3028	150mA 3.0V and 2.8V LDO regulators
ILC7280CS-2828	150mA 2.8V and 2.8V LDO regulators
ILC7280CS-3030	150mA 3.0V and 3.0V LDO regulators
ILC7280CS-3025	150mA 3.0V and 2.5V LDO regulators

### Figure 1: Typical Application

Note: Enable may be connected to V<sub>IN</sub>, C<sub>NOISE</sub> is common to both LDOs



## Pin-Package Configurations



## Pin Functions ILC7280

Pin Number	Pin Name	Pin Description
1	$V_{OUTA}$	Regulator Output A
2	GND	Ground
3	$V_{OUTB}$	Regulator Output B
4	$C_{NOISE}$ (optional)	Voltage Reference Bypass: Connect external 22pF capacitor to GND to minimize output noise in regulator "A" or "B." May be left open. Do not ground.
5	$EN_B$	Enable/Shutdown B (input): CMOS compatible input. Logic high = enable, logic low or open = shutdown. Do not leave floating.
6	$V_{INB}$	Supply Input B (Internally connected to pin 8)*
7	$EN_A$	Enable/Shutdown A (Input): CMOS compatible input. Logic high = enable, logic low or open = shutdown. Do not leave floating.
8	$V_{INA}$	Supply Input A (Internally connected to pin 6)* Galvanic connection only.

\*If maximum current required from each regulator then connect both pin 6 and pin 8 to  $V_{DD}$

## Absolute Maximum Ratings (Note 1)

Parameter	Symbol	Ratings	Units
Input Voltage	$V_{IN}$	-0.3 to +12	V
S/D Input Voltage	$V_{S/D}$	-0.3 to $V_{IN}$	V
Output Current	$I_{OUT}$	Short circuit protected	mA
Output Voltage	$V_{OUT}$	-0.3 to 10	V
Power Dissipation	$P_D$	Internally Limited	mW
Maximum Junction Temperature	$T_{J(max)}$	175	°C
Storage Temperature	$T_{stg}$	-40~+125	°C
ESD Rating		2	kV
Operating Input Voltage	$V_{IN}$	2.1 to 8	V
Operating Ambient Temperature	$T_A$	-40 to +85	°C
Package Thermal Resistance	$\theta_{JA}$	200	°C/W

### Electrical Characteristics ILC7280CS

Unless otherwise specified, all limits are at  $T_A = 25^\circ\text{C}$ ;  $V_{IN} = V_{O(NOM)} + 1\text{V}$ ,  $I_{OUT} = 1\text{mA}$ ,  $C_{OUT} = 0.47\mu\text{F}$ ,  $V_{S/D} = 2\text{V}$ .

**Boldface** limits apply over the operating temperature range. **(Note 2)**

Parameter	Symbol	Conditions	Min	Typ	Max	Units
Output Voltage	$V_{OUT}$	$I_{OUT} = 1\text{mA}$	-1	$V_{OUT}$ (Nom.)	+1	%V (Nom.)
Output Voltage	$V_{OUT}$	$1\text{mA} < I_{OUT} < 100\text{mA}$ $1\text{mA} < I_{OUT} < 100\text{mA}$	-2	$V_{OUT}$ (Nom.)	+2	%V (Nom.)
Output Voltage	$V_{OUT}$	$1\text{mA} < I_{OUT} < 150\text{mA}$ $1\text{mA} < I_{OUT} < 150\text{mA}$	-3	$V_{OUT}$ (Nom.)	+3	%V (Nom.)
Line Regulation	$\Delta V_O / \Delta V_{IN}$	$V_{O(NOM)} + 1\text{V} \leq V_{IN} \leq 10\text{V}$		0.007	0.014 <b>0.032</b>	%/V
Dropout Voltage <b>(Note 3)</b>	$V_{IN} - V_{OUT}$	$I_{OUT} = 0\text{mA}$		0.1	1 <b>2</b>	mV
Dropout Voltage <b>(Note 3)</b>	$V_{IN} - V_{OUT}$	$I_{OUT} = 10\text{mA}$		10	15 <b>20</b>	mV
Dropout Voltage <b>(Note 3)</b>	$V_{IN} - V_{OUT}$	$I_{OUT} = 150\text{mA}$		150	175 <b>200</b>	mV
Ground Pin Current One regulator on	$I_{GND}$	$I_{OUT} = 0\text{mA}$		90		$\mu\text{A}$
Ground Pin Current One regulator on	$I_{GND}$	$I_{OUT} = 10\text{mA}$		100		$\mu\text{A}$
Ground Pin Current One regulator on	$I_{GND}$	$I_{OUT} = 150\text{mA}$		135		$\mu\text{A}$
Ground pin Current Both regulator on	$I_{GND}$	$I_{OUT} = 0\text{mA}$		105		$\mu\text{A}$
Ground pin Current Both regulators on	$I_{GND}$	$I_{OUT} = 10\text{mA}$		115		$\mu\text{A}$
Ground pin Current Both regulators on	$I_{GND}$	$I_{OUT} = 150\text{mA}$		150		$\mu\text{A}$
Shutdown Current	$I_{S/D}$			0.1	<b>1</b>	$\mu\text{A}$

### Electrical Characteristics ILC7280CS

Unless otherwise specified, all limits are at  $T_A = 25^\circ\text{C}$ ;  $V_{IN} = V_{O(NOM)} + 1\text{V}$ ,  $I_{OUT} = 1\text{mA}$ ,  $C_{OUT} = 0.47\mu\text{F}$ ,  $V_{S/D} = 2\text{V}$ .

**Boldface** limits apply over the operating temperature range. **(Note 2)**

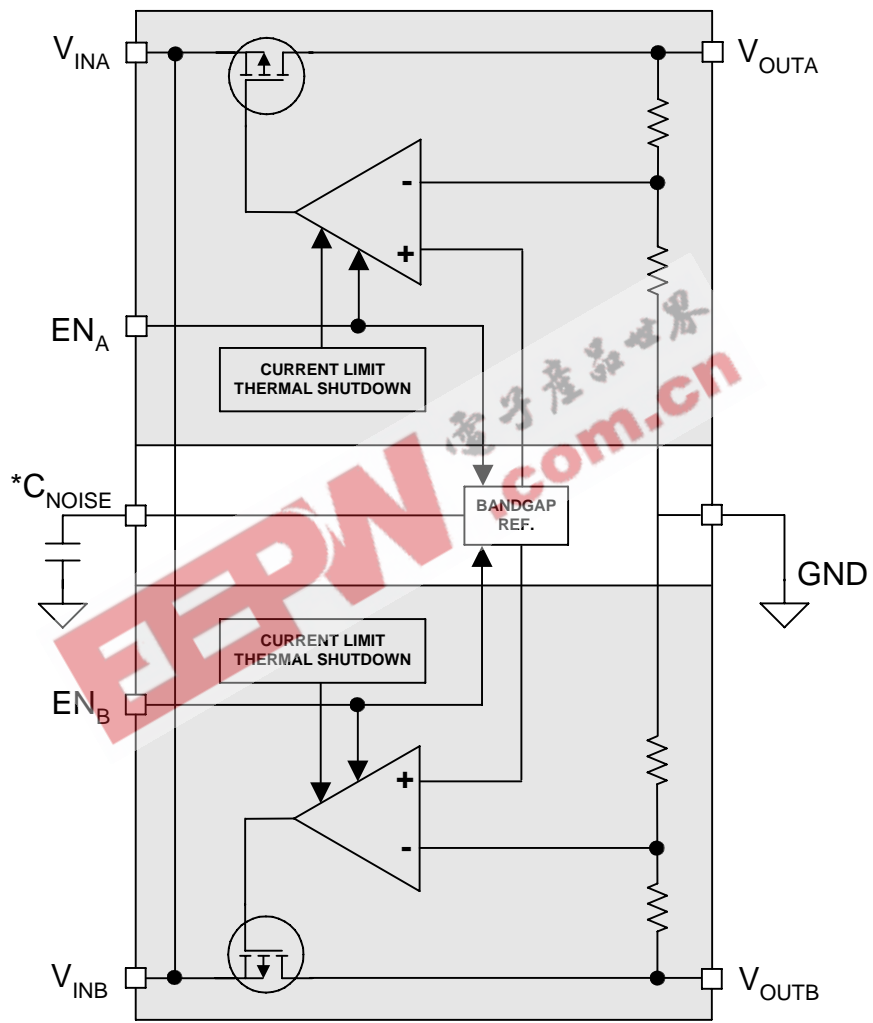
Parameter	Symbol	Conditions	Min	Typ	Max	Units
Shut Down Input Voltage	$V_{S/D}$	High = Regulator On Low = Regulator Off	<b>2.0</b>		<b>10</b> <b>0.6</b>	V
Peak Output Current <b>(Note 4)</b>	$I_{O(peak)}$	$V_{OUT} \geq 0.95V_{O(NOM)}$	300	500		mA
Output Noise Voltage (RMS)	$e_N$	BW = 300Hz to 50kHz, $C_{NOISE} = 0\text{pF}$				$\mu\text{V}$
Ripple Rejection	$\Delta V_O/\Delta V_{IN}$	freq = 1kHz freq = 10kHz		60 60		dB
Dynamic Line Regulation	$\Delta V_{O(line)}$	freq = 100kHz $V_{IN}$ : $V_{O(NOM)} + 1\text{V}$ to $V_{O(NOM)} + 2\text{V}$ ; $dV_{IN}/dt = 1\text{V}/\mu\text{s}$ ; $I_O = 150\text{mA}$		60 10		mV
Dynamic Load Regulation	$\Delta V_{O(load)}$	$I_{OUT}$ : 0 to 150mA; $d(I_{OUT})/dt = 50\text{A}/\mu\text{s}$ , with $C_{OUT} = 2.2\mu\text{F}$		40 20		mV
Short Circuit Current	$I_{SC}$	$V_{OUT} = 0\text{V}$		300		mA

**Note 1:** Absolute maximum ratings indicate limits which when exceeded may result in damage to the component. Electrical specifications do not apply when operating the device outside of its rated operating conditions.

**Note 2:** Specified Min/Max limits are production tested or guaranteed through correlation based on statistical control methods. Measurements are taken at constant junction temperature as close to ambient as possible using low duty pulse testing.

**Note 3:** Dropout Voltage is defined as the measured Differential Voltage between input and output voltage, when the output voltage drops 2% below the nominal output voltage as  $V_{IN}$  is decreased, and approaches  $V_{OUT}$ . Nominal output voltage is defined at  $V_{IN} = V_{OUT} + 1\text{V}$ .

**Note 4:** Guaranteed by design



\*Optional

## APPLICATIONS INFORMATION

**+V<sub>IN</sub> A and B**

These pins are connected internally through a galvanic connection for maximum power from each regulator, both V<sub>INA</sub> and V<sub>INB</sub> must be connected externally to V<sub>DD</sub>.

**Enable/Shutdown**

Forcing EN<sub>A</sub> and/or EN<sub>B</sub> to a voltage greater than 2V, enables the regulator(s). These inputs are CMOS logic compatible gates. If this feature is not required, connect EN<sub>A</sub> and/or EN<sub>B</sub> to V<sub>IN</sub>. Note that V<sub>INA</sub> and V<sub>INB</sub> are connected internally. To minimize the effect of imbalanced current sharing and possible noise, both V<sub>INA</sub> and V<sub>INB</sub> should also be connected externally.

**Input Capacitor**

A 1μF capacitor should be placed from V<sub>INA/B</sub> to GND if there is more than 10 inches of wire between the input and the ac filter capacitor or if a battery is used as the input.

**Reference Bypass Capacitor**

C<sub>NOISE</sub> (the reference voltage bypass capacitor) is connected to the internal V<sub>ref</sub> which is common to regulator's A and B. A 22pF capacitor connected between C<sub>NOISE</sub> and GND decouples the reference output voltage and provides a significant reduction in regulator output noise. An effect of C<sub>NOISE</sub> also reduces the regulator phase margin. When using C<sub>NOISE</sub>, output capacitors of 2.2μF or greater are required to maintain stability.

Also affected by C<sub>NOISE</sub> is the start up speed of the ICL7280. The speed is inversely proportional to the value of C<sub>NOISE</sub>. If a slow or delayed start up time is desired, a larger value of C<sub>NOISE</sub> is used. Conversely, faster start up times or instant-on applications will require smaller values of C<sub>NOISE</sub> or its omission with the pin left open. The trade-off of noise to response should be considered.

**Output Capacitor**

An output capacitor is required from V<sub>OUTA</sub> and V<sub>OUTB</sub> to GND to prevent oscillation and minimize the effect of load transient currents. The minimum size of the output capacitor(s) is dependent on the usage of C<sub>NOISE</sub> and its value. Without C<sub>NOISE</sub>, a minimum of 1μF is recommended. For C<sub>NOISE</sub> = 22pF, a minimum of 2.2μF is recommended (See figure 1). Larger values of output capacitance will slow the regulator's response during power up. The upper limit of capacitance is indefinite, however, it should have an equivalent series resistance (ESR) of approximately 5Ω or less and a series resonance above 1MHz. Stability is assured with the use of a capacitor having ultra-low ESR and as such will not produce low amplitude oscillations nor an underdamped transient response. This allows the use of modern ceramic capacitors in preference to their more costly Tantalum counterparts.

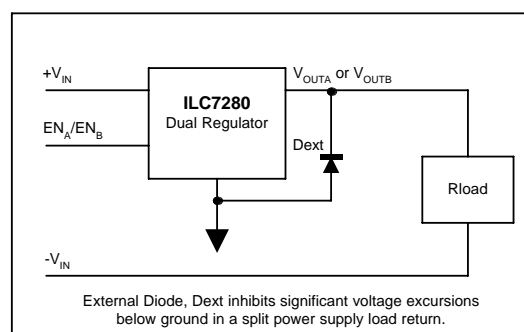
If the system design calls for smaller load currents, lower capacitance may be used. Below 10mA the capacitance may be reduced to 0.47μF and below 1mA to 0.33μF.

**No-Load Stability**

The ILC7280 will remain stable and in regulation with no load current. These are desirable performance features for applications such as keep-alive modes in CMOS systems.

**Split-Supply Operation**

When using the ILC7280 in a system requiring that the load be returned to the negative voltage source, the output(s) must be diode clamped to inhibit significant voltage excursions below ground. A simple external diode clamp to ground will afford protection from damage to the device. (See figure below).



## APPLICATIONS INFORMATION cont.

**Thermal Considerations**

For optimum Thermal dissipation and device reliability, devices mounted on conventional FR4 PCB material should be surrounded and connected to as much ground copper as possible. In a worse case application with minimum trace widths and no ground plane, the MSOP-8 package exhibits a thermal resistance of 200 °C/W. The risk to the device can be calculated in the following examples. (An Excel spreadsheet calculator is also available at the Impala Linear web site: Products/ILC7280.)

**Thermal Evaluation Examples**

For an ambient temperature of 50°C, the maximum package power dissipation is:

$$P D(\max) = (125^{\circ}\text{C} - 50^{\circ}\text{C}) / 200^{\circ}\text{C}/\text{W}$$

$$P D(\max) = 375\text{mW}$$

If the intent is to operate from a 4V power source with a 150mA load current from both outputs at a 50°C ambient temperature, the expected power dissipation is found in the following calculation:

$$P D(\text{each regulator}) = (V_{\text{IN}} - V_{\text{OUT}}) * I_{\text{OUT}} + (V_{\text{IN}} * I_{\text{GND}})$$

$$P D(\text{each regulator}) = (4\text{V} - 3\text{V}) * 150\text{mA} + (4\text{V} * 0.12\text{mA})$$

$$P D(\text{each regulator}) = 150\text{mW}$$

$$P D(\text{both regulators}) = 2 * 150\text{mW}$$

$$P D(\text{both regulators}) = 300\text{mW}$$

In this example the total power dissipated is 300mW which is below the 375mW maximum package consideration and therefore safe to operate. It should be noted that it is not always possible to operate both regulators at the maximum output current. For example in a 5V input and 3V output application at 50°C, one regulator operating at 150ma would dissipate 267.5mW. The remaining regulator must be limited to 375mW - 267.5mW or 107.5mW.

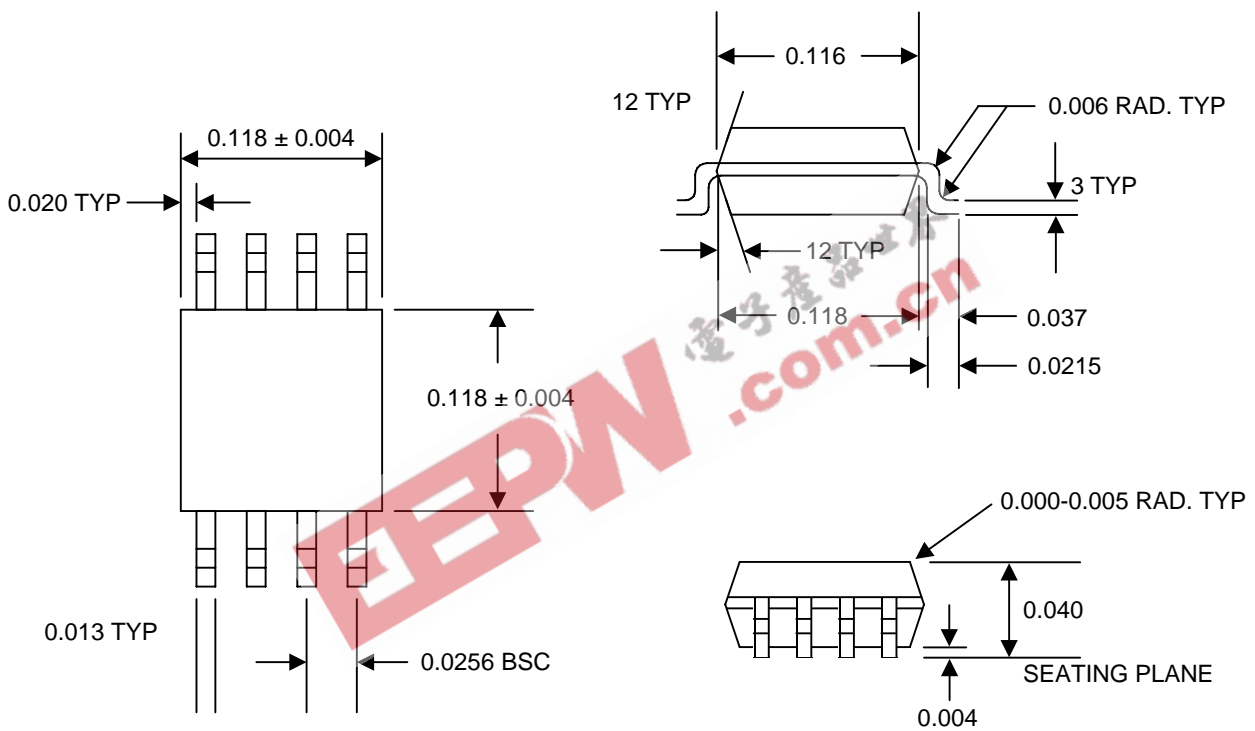
An advantage of the ILC7280 low-dropout voltage characteristic is that using the lowest possible input voltage can minimize power dissipation.

電子產品世界  
www.eepw.com.cn



Package Dimensions

MSOP-8



All dimensions in inches

Devices sold by Impala Linear Corporation are covered by the warranty and patent indemnification provisions appearing in its Terms of Sale only. Impala Linear Corporation makes no warranty, express, statutory, implied, or by description regarding the information set forth herein or regarding the freedom of the described devices from patent infringement. Impala Linear Corporation makes no warranty of merchantability or fitness for any purpose. Impala Linear Corporation reserves the right to discontinue production and change specifications and prices at any time and without notice.

This product is intended for use in normal commercial applications. Applications requiring an extended temperature range, unusual environmental requirements, or high reliability applications, such as military and aerospace, are specifically not recommended without additional processing by Impala Linear Corporation.

Impala Linear Corporation assumes no responsibility for the use of any circuitry other than circuitry embodied in an Impala Linear Corporation product. No other circuits, patents, licenses are implied.

Life Support Policy

Impala Linear Corporation's products are not authorized for use as critical components in life support devices or systems.

1. Life support devices or systems are devices or systems which, (a) are intended for surgical implant into the body, or (b) support or sustain life, and whose failure to perform, when properly used in accordance with instructions for use provided in the labeling, can be reasonably expected to result in a significant injury to the user.
2. A critical component is any component of a life support device or system whose failure to perform can be reasonably expected to cause the failure of the life support device or system, or to affect its safety or effectiveness.