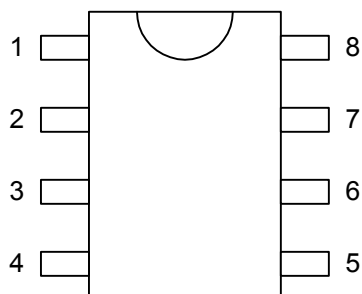


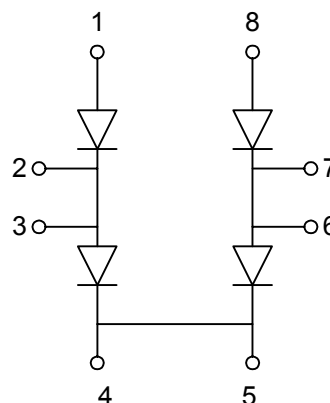
# IW0140A4

## ULTRAFAST RECTIFIER DIODE ARRAY

Pinning



Electric scheme



Ultrafast diode array designed for use in systems of protection of telephone lines from overvoltage. The device is available in DIP-8 case

### MAXIMUM RATINGS (for every diode of assembly)

Rating	Symbol	Mode of measurement	Value	Unit
Peak Repetitive Reverse Voltage	$U_{RR}$		400	V
Peak Rectified Forward Current	$I_F$	T=1 sec Q=50	0,4	A
Operating Junction Temperature	$T_J$		150	°C
Storage Temperature	$T_{STG}$		-40-150	°C
Thermal resistance junction to ambient	$R_{thj-a}$		140	°C/W

### ELECTRICAL CHARACTERISTICS (for every diode of assembly) for $T_{AMB}=25^{\circ}C$

Rating	Symbol	Mode of measurement	Value	Unit
Maximum Instantaneous Forward Voltage*	$U_F$	$I_F=1A$	1,75	V
Maximum Instantaneous Reverse Current*	$I_R$	$U_R=400B$	100	$\mu A$
Maximum Reverse Recovery Time	$t_{Rr}$	$I_F=1 A,$ $di/dt=50 A/\mu s,$	100	ns

