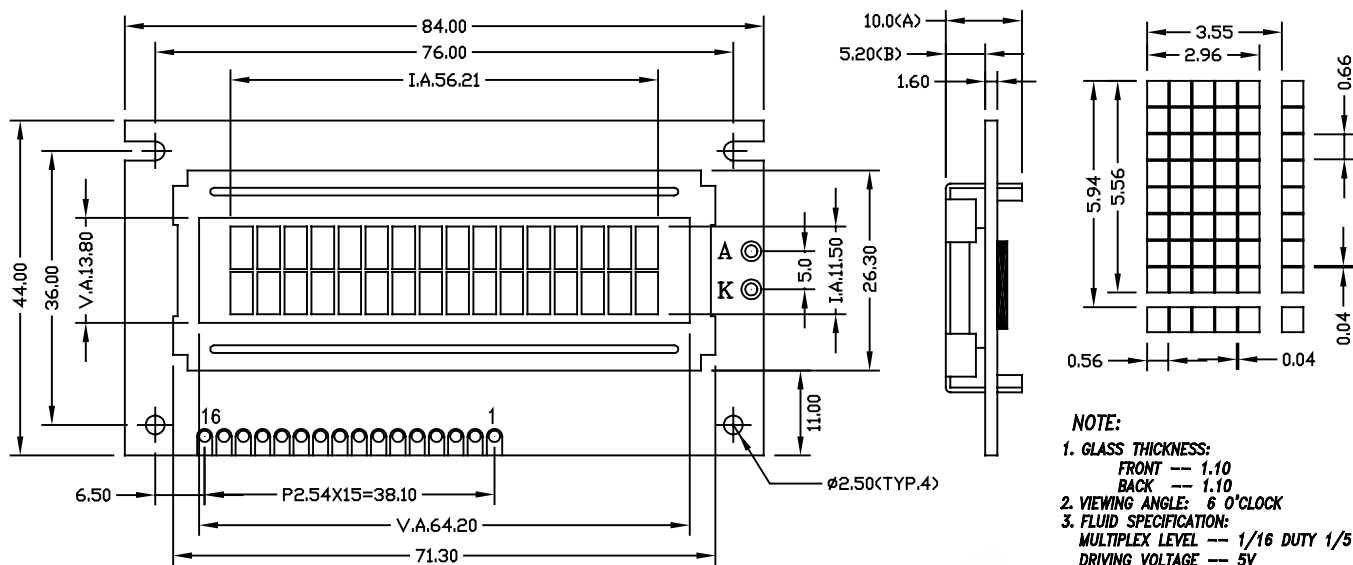


① EXTERNAL DIMENSION



	A	B
LED B/L	13.40mm	9.0mm
WITHOUT B/L	10.00mm	5.2mm

- NOTE:**
- GLASS THICKNESS:
FRONT --- 1.10
BACK --- 1.10
 - VIEWING ANGLE: 6 O'CLOCK
 - FLUID SPECIFICATION:
MULTIPLEX LEVEL --- 1/16 DUTY 1/5 BIAS
DRIVING VOLTAGE --- 5V
OPERATING TEMPERATURE: 0°C TO 50°C
STORAGE TEMPERATURE: -20°C TO 70°C
 - CONNECTOR: ZEBRA
 - STN YELLOW-GREEN MODE
 - TRANSFLECTIVE

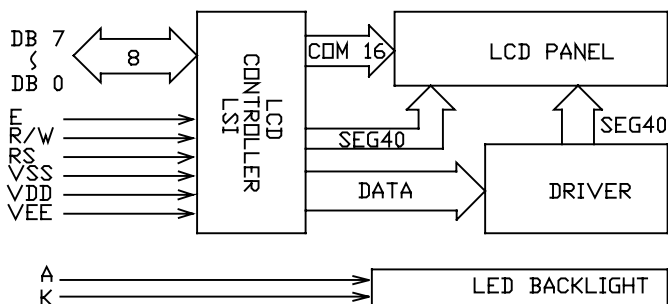
② MECHANICAL DATA

ITEM	SPECIFICATION	UNIT
Module Size (W X H X T)	84.0 X 44.0 X 10.0	mm
Viewing Area (W X H)	64.2X 13.8	mm
Internal Area (W X H)	56.21 X 11.50	mm
Dot Pitch (W X H)	0.70 X 0.60	mm
Dot Size (W X H)	0.66 X 0.56	mm
Character Pith (WXH)	5.94 X 3.55	mm
Character Size (W X H)	5.56 X 2.96	mm
Number of Character	16 Character X 2 Line	Char

③ PIN CONFIGURATION

ITEM	SYMBOL	LEVEL	DESCRIPTION
1	A	H	LED BACKLIGHT +
2	K	L	LED BACKLIGHT -
3	VSS	L	Power GND
4	VDD	H	Power Positive
5	VEE	L	Voltage For LCD Panel Drive
6	RS	H/L	Register Select
7	R/W	H/L	Read/Write Select
8	E	H/L	Read/Write Enable
9	DB0	H/L	Data Bus
10	DB1	H/L	
11	DB2	H/L	
12	DB3	H/L	
13	DB4	H/L	
14	DB5	H/L	
15	DB6	H/L	
16	DB7	H/L	

④ BLOCK DIAGRAM



⑤ ABSOLUTE MAXIMUM RATINGS(25°C)

PARAMETER	SYMBOL	MIN.	MAX.	UNIT
Supply Voltage Logic	V _{DD}	-0.3	+7.0	V
Supply Voltage Driver	V _{LCD}	V _{DD} -15.0	V _{DD} +0.3	V
Input Voltage	V _{IN}	-0.3	V _{DD} +0.3	V