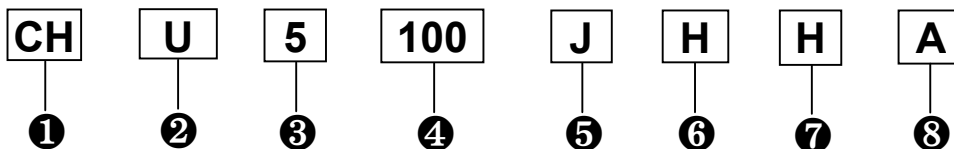


HOW TO ORDER – PART NUMBER EXPLANATION

To Order, please specify Pan Overseas Part No. as the following example :



① Temperature Characteristics Code :

	CH (NPO)	SL	B (Y5P)	E (Z5U)	F (Z5V)	X (X7R)	RY (Y5R)	FY (Y5V)
T.C.(PPM/) or Cap. Change %	0 ± 60PPM	+ 350 - 12000PPM	± 10%	+ 22% -56%	+ 22% - 82%	± 15%	± 15%	+ 22% - 82%

② Rated Voltage :

	B	T	U	A	C	M	M2	M3
Voltage	16V	25V	50V	100V	500V	1000V	2000V	3000V

③ Part Diameter(mm) :

Code	Diameter	Code	Diameter	Code	Diameter	Code	Diameter
5	5mm	8	8mm	A	11mm	D	14mm
6	6mm	9	9mm	B	12mm	E	15mm
7	7mm	0	10mm	C	13mm	F	16mm

④ Capacitance Code :

Code	Capacitance (pF)	Code	Capacitance (pF)
010	1	102	1000
1R5	1.5	222	2200
100	10	472	4700
101	100	103	10000

⑤ Tolerance Code :

Code	Tolerance	Code	Tolerance
C	± 0.25pF	K	± 10%
D	± 0.50pF	M	± 20%
J	± 5%	Z	+ 80-20%

⑥ Lead Configuration Code-Bulk & Taping Package

Bulk Lead Code	Taping Lead Code	Configuration and Dimension			
		Kinked / Straight	Lead Space (F)	Lead Length (L)	Remarks
2		Straight	5.0mm	5±1mm	
5		Straight	2.5mm	25 mm Min.	
6	G or L	Straight	5.0mm	25mm Min.	G = Ammo, L = Reel
7		Straight	6.4mm	25mm Min.	
8		Inside Kinked	5.0mm	5±1mm	
9	H or R	Inside Kinked	5.0mm	25 mm Min.	H = Ammo, R = Reel
A		Straight	10.0mm	5±1mm	
B		Inside Kinked	10.0mm	5±1mm	
C		Straight	10.0mm	25 mm Min.	

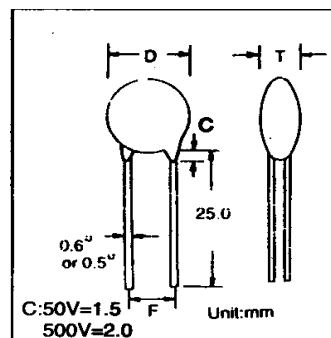
⑦ High temperature soldering type.

⑧ Epoxy coating material is used on 2KV & 3KV parts only.

CLASS I TEMPERATURE COMPENSATION TYPE

FEATURES :

- Capacitance has linear temperature coefficient
- Capacitance high stability
- Low lost at wide range of frequency



GENERAL SPECIFICATION

Capacitance Range	1pF to 820pF
Capacitance Tolerance	±0.25pF, ±0.5pF, ±5%, ±10%
Operating Temperature Range	-25 ~ 85
Rated Working Voltage Rating	50, 500 VDC
Q Factor @ 1MHz, 1±0.2Vrms, 25	C 30 pF.....Q 1,000, C < 30 pF.....Q 400+20°C
Insulation Resistance (IR) @ 25	10,000 M Minimum
Dielectric Strength	3 times the rated WVDC
Testing Parameters	1MHz ±20%, 1.0Vrms±0.2Vrms

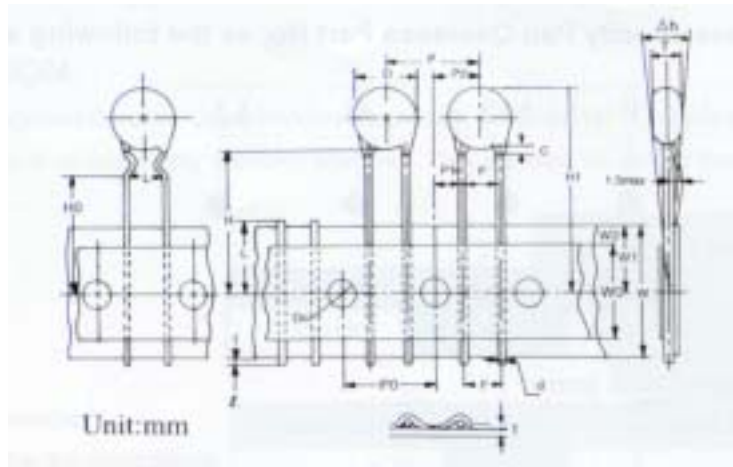
CAPACITANCE CHART :

Temp. Char.	Part Dia.	Rated Voltage	Capacitance		Dim.(mm) Max.		
			Range (pF)	Tol.	D	T	F
CH 0±60 ppm/	5	U (50V)	0.5 - 47	C, D (≤ 10pF)	5.5	3.5	5.00
	6		51 - 75		6.5		
	7		82 - 100		7.5		
	8		120 - 150		8.5		
	10		180 - 270		10.5		
	12		300 - 390		12.5		
	5	C (500V)	0.5 - 36	J, K (≥ 10pF)	5.5	4.0	
	6		39 - 56		6.5		
	8		68 - 100		8.5		
	10		120 - 150		10.5		

Temp. Char.	Part Dia.	Rated Voltage	Capacitance		Dim.(mm) Max.		
			Range (pF)	Tol.	D	T	F
SL + 350 -1200 ppm/	5	U (50V)	10 - 120	J, K	5.5	3.5	5.00
	6		150 - 220		6.5		
	7		240 - 330		7.5		
	8		360 - 470		8.5		
	10		500 - 820		10.5		
	5		C (500V)		10 - 82		
	6	100 - 150		6.5			
	8	180 - 220		8.5			
	10	240 - 390		10.5			

• When Ordering, please use the Pan Overseas part number as indicated on page no. 13.

TAPING SPECIFICATION AND DIMENSION



Item	Symbol	Specification		Remarks	
		Value	Tolerance		
Body diameter	D	11.0	Max		
Body thickness	T	3.5	Max		
Lead-wire diameter	d	0.6	+0.06-0.05		
Pitch of component	P	12.7	±1.0		
Feed hole pitch	P ₀	12.7	±0.3	Cumulative pitch error : 1.0 mm/20 pitch	
Feed hole center to lead	P ₁	3.85	±0.7	To be measured at bottom of clinch	
Hole center to component center	P ₂	6.35	±1.3		
Lead-to lead distance	F	5.0	+0.8 -0.2		
Component alignment, F-R.	h	0	±2.0		
Tape width	W	18.0	+1.0 -0.5		
Hold-down tape width	W ₀	11.0	Min		
Hole position	W ₁	9.0	+0.75 -0.5		
Hold-down tape position	W ₂	3.0	Max		
Height of component form tape center	For Straight Lead Type	H	20.0	+1.0 -0.5	
	For Kinked Lead Type	H ₀	16.0	±0.5	
Component height	H ₁	32.25	Max		
Lead-wire protrusion	l	2.0	Max		
Feed hole diameter	D ₀	4.0	±0.3		
Total tape thickness	t	0.7	±0.2		
Length of snapped lead	L	11.0	Max	Ground paper : 0.5±0.1 mm	
Coating rundown on leads	C	1.5	Max		

These radial taped ceramic disc capacitors are designed especially for automatic insertion, and is only available for those parts have diameter of 11.0mm or smaller.

