

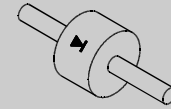
2,500 V - 10,000 V Rectifiers

1.5 A - 3.0 A Forward Current

3000 ns Recovery Time

K25S
K50S
K100S

AXIAL LEADED
EPOXY MOLDED

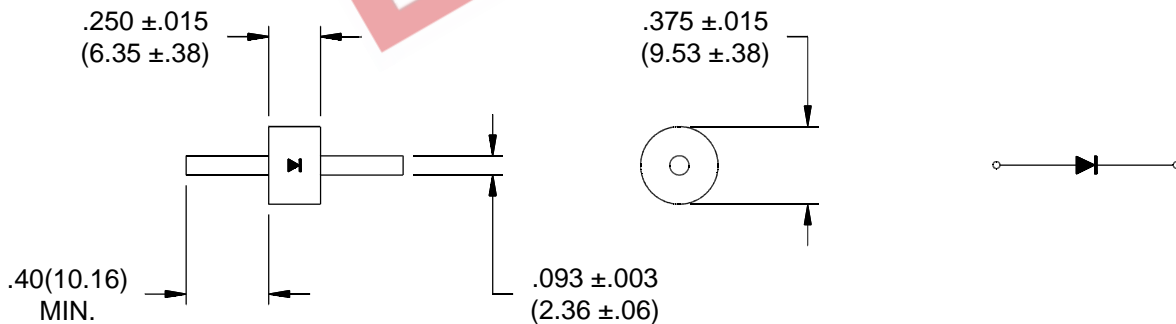


5

ELECTRICAL CHARACTERISTICS AND MAXIMUM RATINGS

Part Number	Working Reverse Voltage (V _{rw})	Average Rectified Current (I _o)		Reverse Current @ V _{rw} (I _r)		Forward Voltage (V _f)		1 Cycle Surge Current t _p =8.3ms (I _{fsm})	Repetitive Surge Current (I _{frm})	Reverse Recovery Time (3) (T _{rr})	Thermal Impedance θ _{J-L}		Junction Cap. @50VDC @ 1kHz (C _j)
		55°C(1)	100°C(2)	25°C	100°C	25°C	25°C				L=.000	L=.250	
	Volts	Amps	Amps	μA	μA	Volts	Amps	Amps	Amps	ns	°C/W	°C/W	pF
K25S	2500	3.00	1.50	2.0	100	5.5	3.0	200	50	3000	2	4.5	70
K50S	5000	2.20	1.10	2.0	100	8.5	2.2	150	35	3000	2	4.5	50
K100S	10000	1.50	0.75	2.0	100	12.0	1.5	100	25	3000	2	4.5	35

(1)TL=55°C L=0.375" (2)TL=100°C L=0.375" (3)I_f=0.5A, I_r=1.0A, I_{rr}=0.25A *Op. Temp. = -55°C to +150°C Stg. Temp. = -55°C to +175°C



Dimensions: In. (mm) • All temperatures are ambient unless otherwise noted. • Data subject to change without notice.



VOLTAGE MULTIPLIERS INC.
8711 W. Roosevelt Ave.
Visalia, CA 93291

TEL 559-651-1402
FAX 559-651-0740
www.voltagemultipliers.com

K25S K50S K100S

