

## Single Phase Full Wave Bridge Rectifiers — D.C. Current ( $I_O$ ) to 25 Amperes

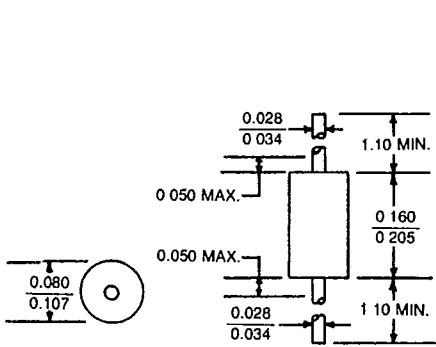
### Hi-Pac® II Series

All bridges are available in FAST RECOVERY versions,  $T_{RR} < 200\text{ns}$ . To order, add FS to suffix.

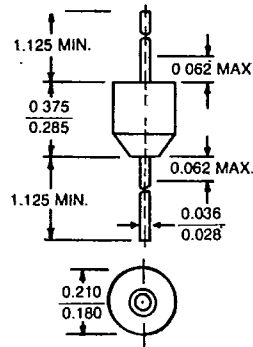
PART NO.	JEDEC PART NO.	PRV VOLTS	$V_F$ VOLTS	$I_O$ AMPS	$I_R$ $\mu\text{A}$	$I_{FSM}$ AMPS	$T_{RR}$ nsec	CASE STYLE
BHC0001		100	1.2	10	10	300		3A
BHC0002		200	1.2	10	10	300		3A
BHC0003		300	1.2	10	10	300		3A
BHC0004		400	1.2	10	10	300		3A
BHC0005		600	1.2	10	10	300		3A
K850-0		50	1.2	10	10	300		3B
K850-1		100	1.2	10	10	300		3B
K850-2		200	1.2	10	10	300		3B
K850-3		300	1.2	10	10	300		3B
K850-4		400	1.2	10	10	300		3B
K850-6		600	1.2	10	10	300		3B
K850-8		800	1.2	10	10	300		3B
TJ118-0		50	1.2	10	10	300		3C
TJ118-1		100	1.2	10	10	300		3C
TJ118-2		200	1.2	10	10	300		3C
TJ118-3		300	1.2	10	10	300		3C
TJ118-4		400	1.2	10	10	300		3C
TJ118-5		500	1.2	10	10	300		3C
TJ118-6		600	1.2	10	10	300		3C
TJ118-8		800	1.2	10	10	300		3C
E814-0		50	1.0	12	25	300		3D
E814-1		100	1.0	12	25	300		3D
E814-2		200	1.0	12	25	300		3D
E814-3		300	1.0	12	25	300		3D
E814-4		400	1.0	12	25	300		3D
E814-6		600	1.0	12	25	300		3D
E814-8		800	1.0	12	25	300		3D
E815-0		50	1.0	15	25	300		3D
E815-1		100	1.0	15	25	300		3D
E815-2		200	1.0	15	25	300		3D
E815-3		300	1.0	15	25	300		3D
E815-4		400	1.0	15	25	300		3D
E815-6		600	1.0	15	25	300		3D
E815-8		800	1.0	15	25	300		3D
G775-0U		50	1.0	25	10	300		3E
G775-1U		100	1.0	25	10	300		3E
G775-2U		200	1.0	25	10	300		3E
G775-3U		300	1.0	25	10	300		3E
G775-4U		400	1.0	25	10	300		3E
G775-6U		600	1.0	25	10	300		3E
G775-8U		800	1.0	25	10	300		3E
J775-0		50	1.0	25	10	300		3F
J775-1		100	1.0	25	10	300		3F
J775-2		200	1.0	25	10	300		3F
J775-3		300	1.0	25	10	300		3F
J775-4		400	1.0	25	10	300		3F
J775-6		600	1.0	25	10	300		3F
J775-8		800	1.0	25	10	300		3F

For Case Outlines and Dimensions see Pages 36-41.

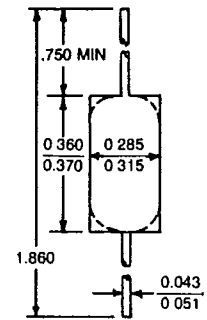
# Case Outlines and Dimensions



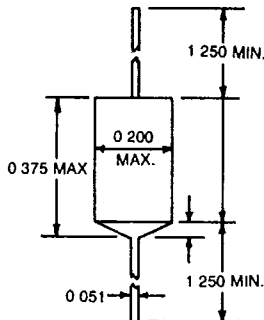
**Case Style 1A  
(DO-41)**



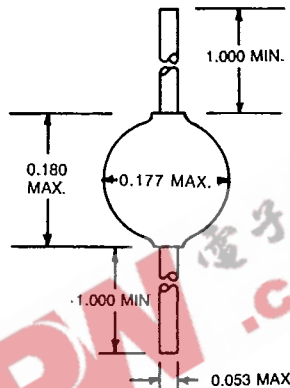
**Case Style 1B  
(DO-27)**



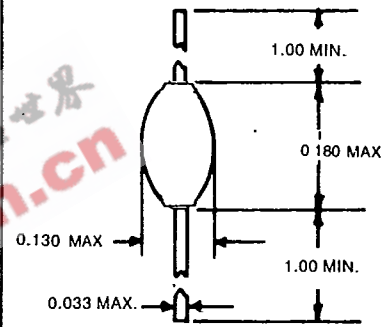
**Case Style 1C**



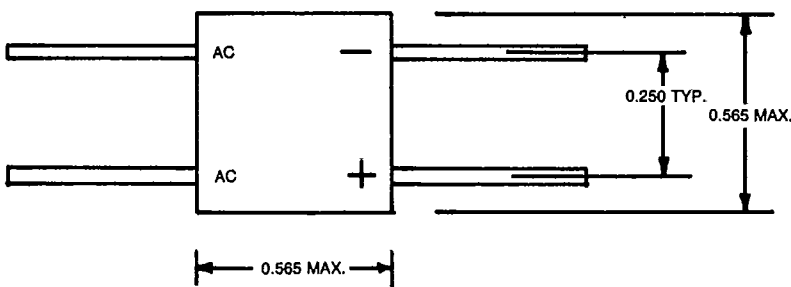
**Case Style 1D**



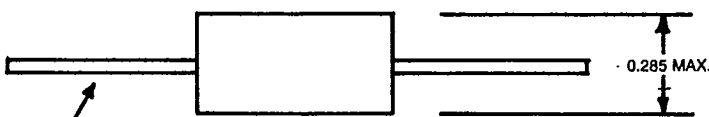
**Case Style 1E**



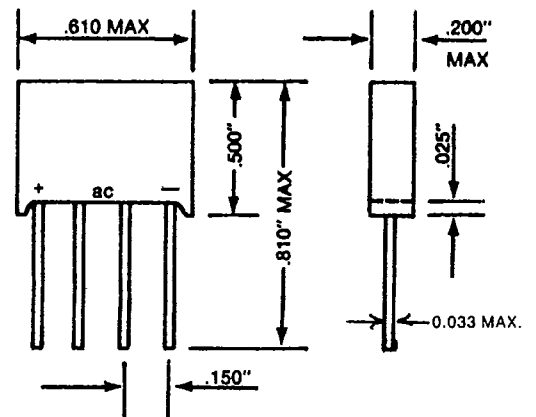
**Case Style 1F**



**Case Style 2A\***



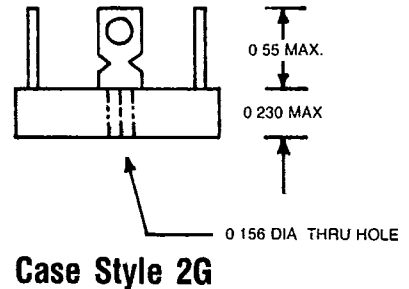
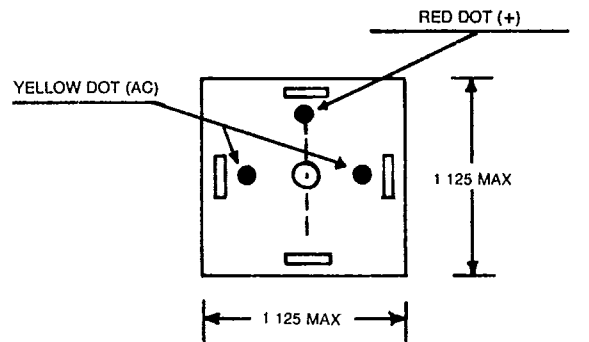
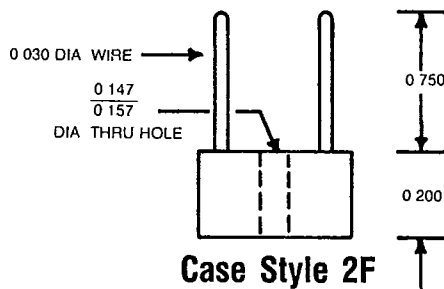
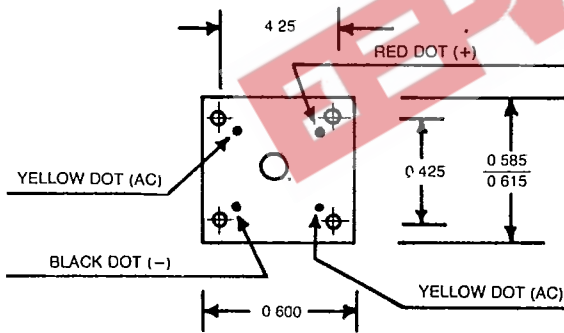
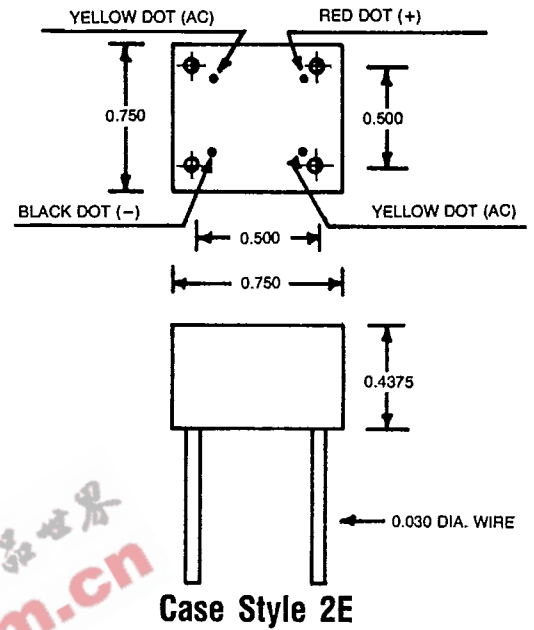
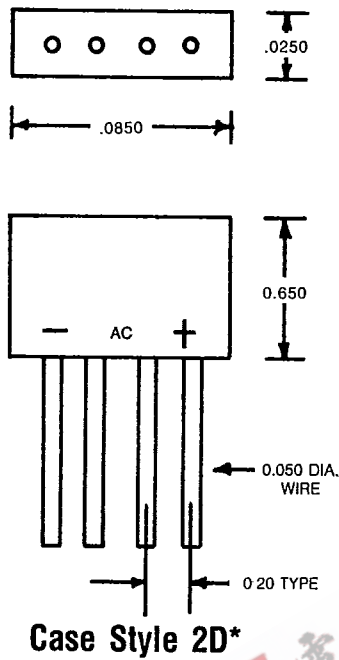
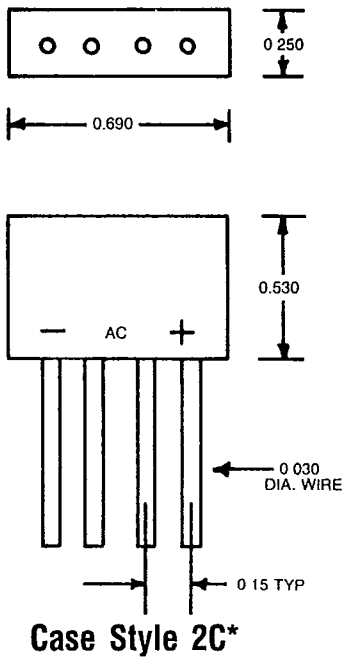
0.030 DIA. WIRE



**Case Style 2B\***

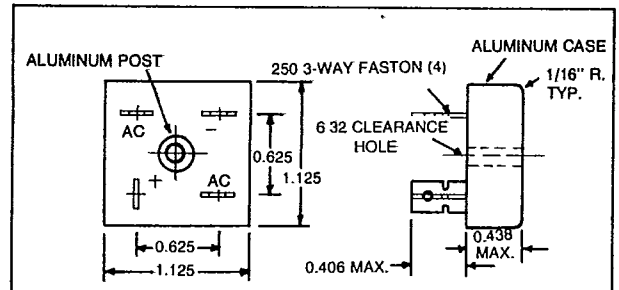
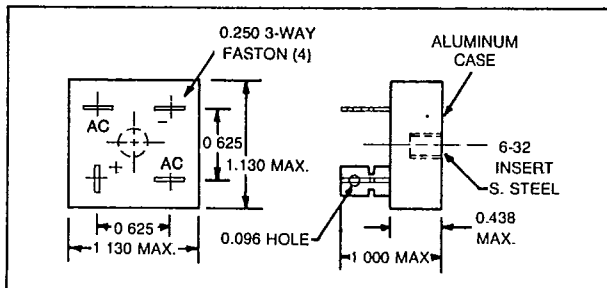
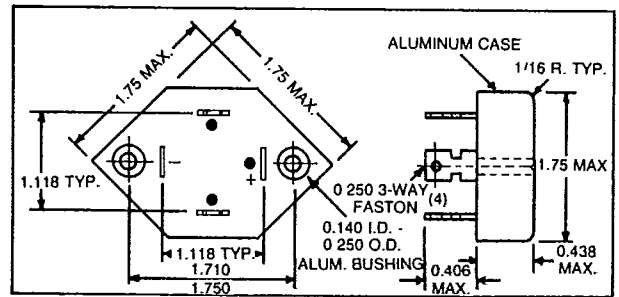
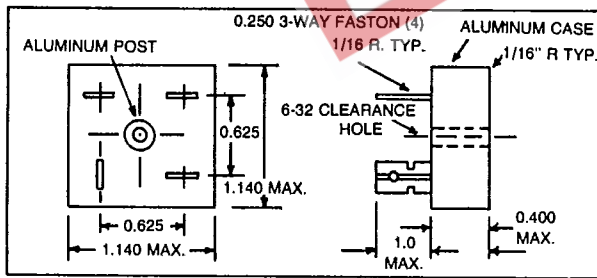
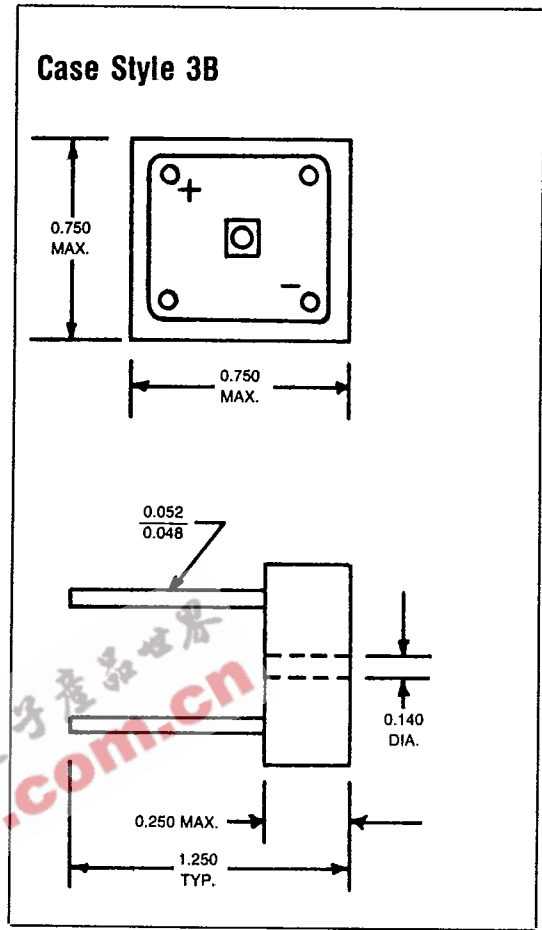
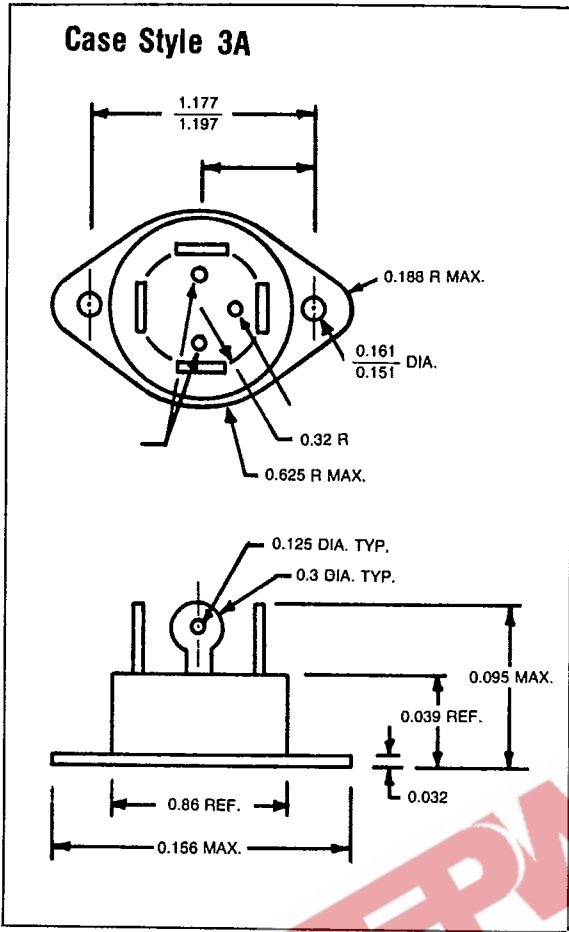
\*Also available in lower cost conformal coated package.

### Case Outlines and Dimensions



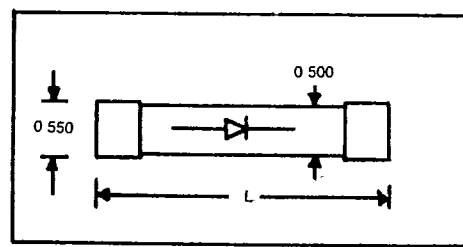
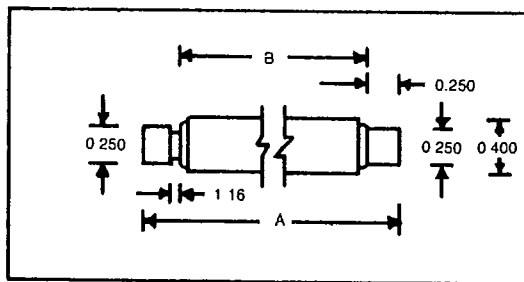
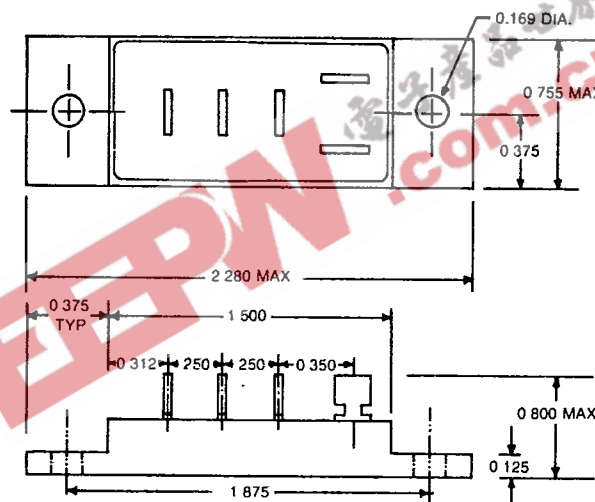
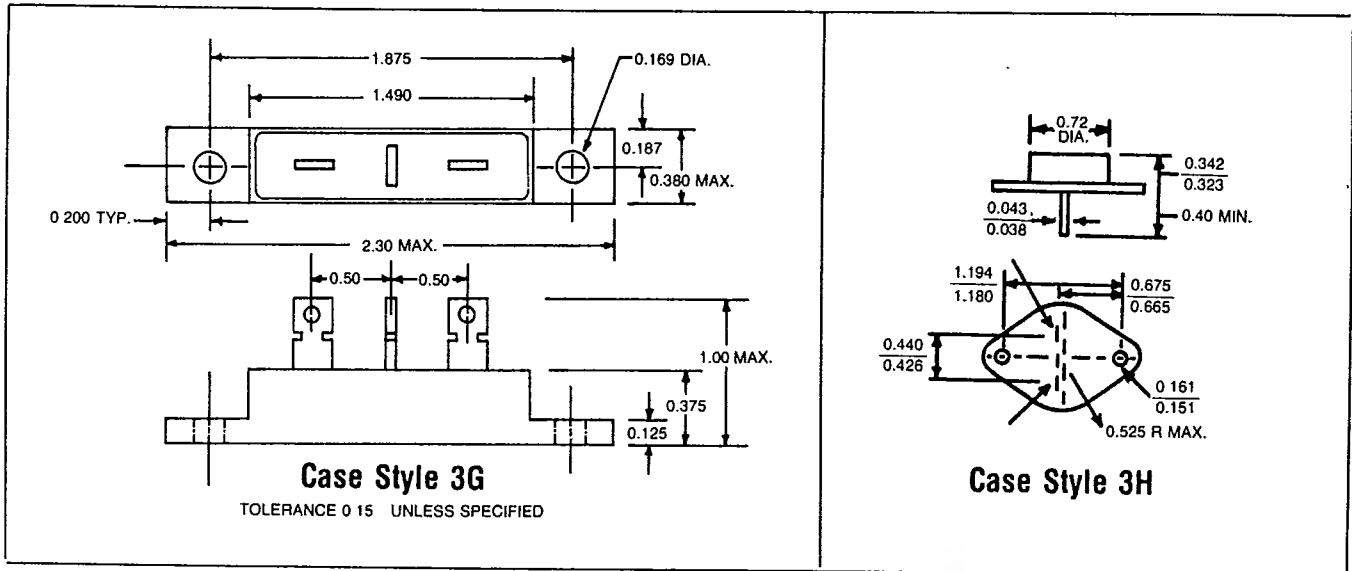
\*Also available in lower cost conformal coated package.

# Case Outlines and Dimensions

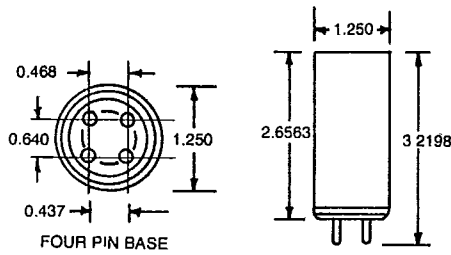


T-23-05

### Case Outlines and Dimensions

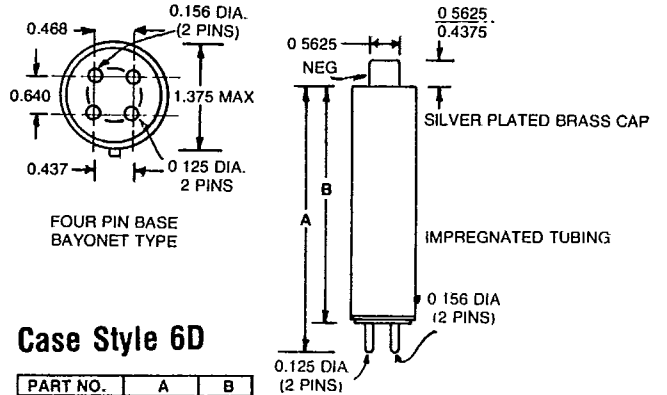


# Case Outlines and Dimensions



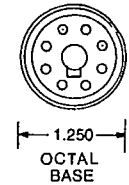
**Case Style 6A**

PART NO.	A	B	C
1N1150	3-7/32"	2-21/32"	1-1/4"
1N2634			

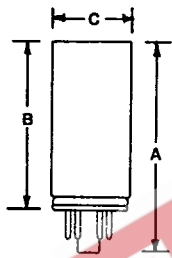


**Case Style 6D**

PART NO.	A	B
T7KV	4-1/16	3-1/2
T10KV	5-1/8	4-1/2
1N2637		

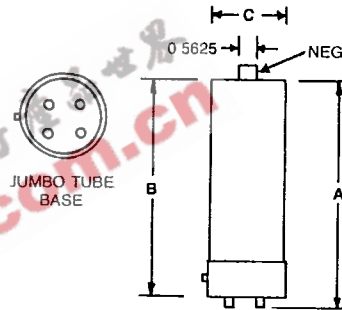


OCTAL BASE  
THREE PIN BASE



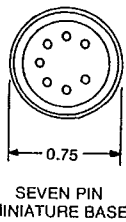
**Case Style 6B**

PART NO.	A	B	C	NO. OF PINS
1N1237				
1N1238				
1N2631	3-7/32	2-21/32	1-1/4	8
1N2632				
1N2633				
1N1239	4-5/16	3-3/4	1-3/8	3
1N1262	4-5/16	3-3/4	1-3/16	8
1N2389	3.25 1.125	2.6875 0.5625	1-3/16	8



**Case Style 6E**

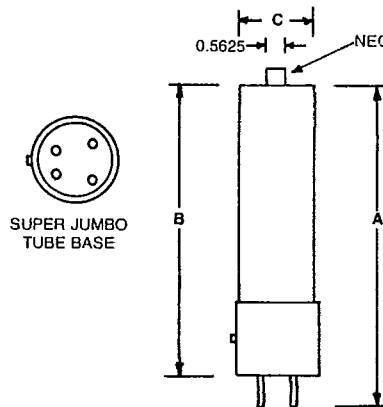
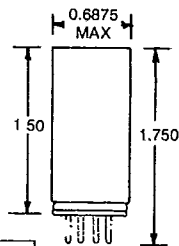
PART NO.	A	B	C	(-) PIN CONN.
2ASLD-10TRA	7-3/4	7-3/8	2-5/16	4
2ASLD-15TR	9-3/4	9-3/8	3-7/8	4



SEVEN PIN MINIATURE BASE

**Case Style 6C**

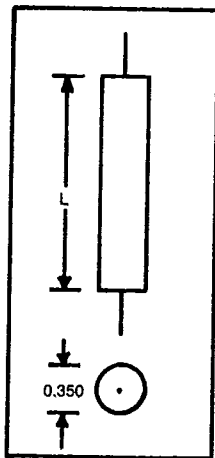
PART NO.	A	B
1N2490		
1N2630	1-3/4"	1-1/2"
1N2635		



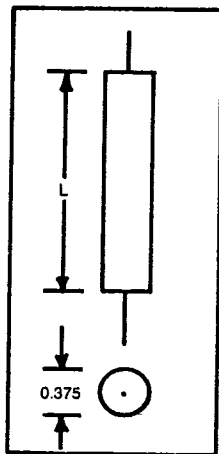
**Case Style 6F**

PART NO.	A	B	C	(+) PIN CONN.
2ASLD-10TRB	8-1/4	7-1/2	2-5/16	3
2ASLD-40TR	9-1/8	8-3/8	2-5/16	2

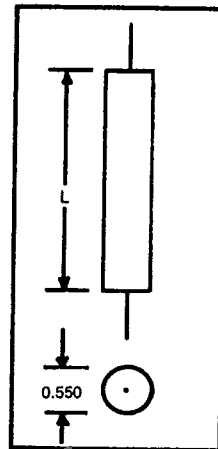
# Case Outlines and Dimensions



Case Style 5A\*

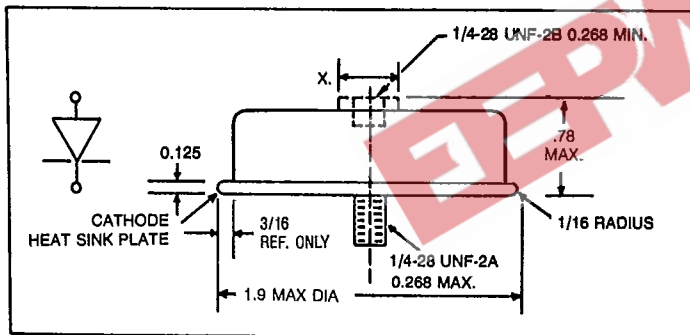


Case Style 5B\*

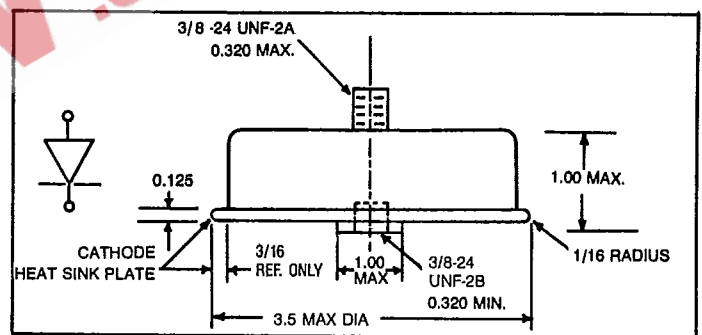


Case Style 5C\*

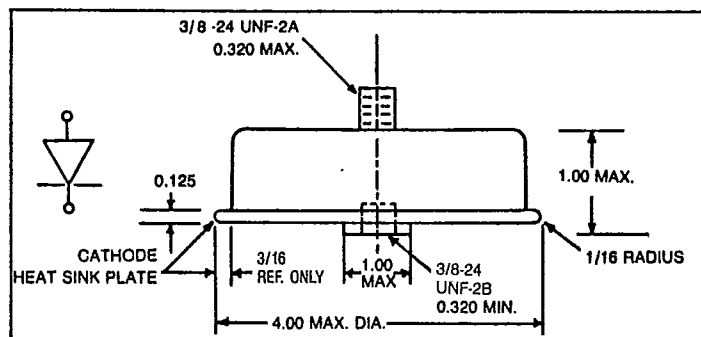
\*Lead Length 0.032" x 1.25" Long.



Case Style 7A



Case Style 7B



Case Style 7C