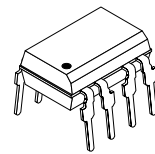
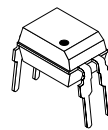
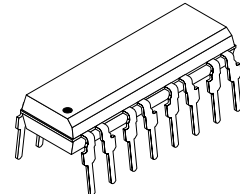


Optocoupler with Photodarlington Output

Description

The K815P/ K825P/ K845P consist of a photodarlington optically coupled to a gallium arsenide infrared-emitting diode in an 4-lead up to 16-lead plastic dual inline package.

The elements are mounted on one leadframe using a **coplanar technique**, providing a fixed distance between input and output for highest safety requirements.



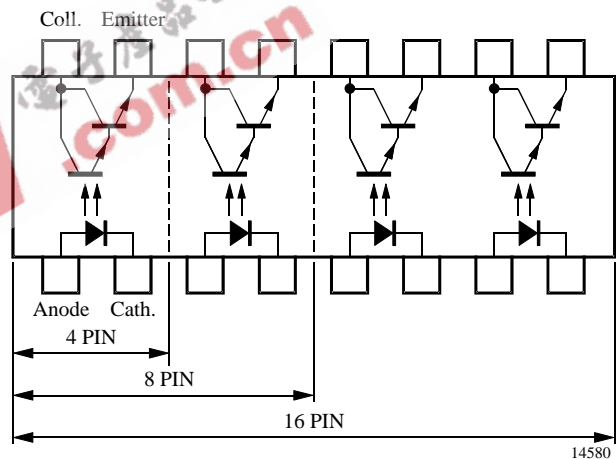
Applications

Programmable logic controllers, modems, answering machines, general applications

14925

Features

- Endstackable to 2.54 mm (0.1") spacing
- Isolation test voltage $V_{IO} = 5 \text{ kV RMS}$
- Low coupling capacitance of typical 0.3 pF
- Low temperature coefficient of CTR
- Wide ambient temperature range
- Underwriters Laboratory (UL) 1577 recognized, file number E-76222
- CSA (C-UL) 1577 recognized, file number E- 76222 - Double Protection
- Coupling System U



Order Instruction

Ordering Code	CTR Ranking	Remarks
K815P	> 600%	4 Pin = Single channel
K825P	> 600%	8 Pin = Dual channel
K845P	> 600%	16 Pin = Quad channel



Absolute Maximum Ratings

Input (Emitter)

Parameter	Test Conditions	Symbol	Value	Unit
Reverse voltage		V_R	6	V
Forward current		I_F	60	mA
Forward surge current	$t_p \leq 10 \mu s$	I_{FSM}	1.5	A
Power dissipation	$T_{amb} \leq 25^\circ C$	P_V	100	mW
Junction temperature		T_j	125	$^\circ C$

Output (Detector)

Parameter	Test Conditions	Symbol	Value	Unit
Collector emitter voltage		V_{CEO}	35	V
Emitter collector voltage		V_{ECO}	7	V
Collector current		I_C	80	mA
Peak collector current	$t_p/T = 0.5, t_p \leq 10 ms$	I_{CM}	100	mA
Power dissipation	$T_{amb} \leq 25^\circ C$	P_V	150	mW
Junction temperature		T_j	125	$^\circ C$

Coupler

Parameter	Test Conditions	Symbol	Value	Unit
AC Isolation test voltage (RMS)	$t = 1 min, f = 50 Hz$	$V_{IO}^{1)}$	5	kV
Total power dissipation	$T_{amb} \leq 25^\circ C$	P_{tot}	250	mW
Operating ambient temperature range		T_{amb}	-40 to +100	$^\circ C$
Storage temperature range		T_{stg}	-55 to +125	$^\circ C$
Soldering temperature	2 mm from case, $t \leq 10 s$	T_{sd}	260	$^\circ C$

¹⁾ Related to standard climate 23/50 DIN 50014

**Electrical Characteristics** ($T_{amb} = 25^{\circ}\text{C}$)

Input (Emitter)

Parameter	Test Conditions	Symbol	Min.	Typ.	Max.	Unit
Forward voltage	$I_F = 20\text{ mA}$	V_F		1.2	1.4	V
Reverse current	$V_R = 6\text{ V}$	I_R			10	μA

Output (Detector)

Parameter	Test Conditions	Symbol	Min.	Typ.	Max.	Unit
Collector emitter voltage	$I_C = 100\ \mu\text{A}$	V_{CEO}	35			V
Emitter collector voltage	$I_E = 100\ \mu\text{A}$	V_{ECO}	7			V
Collector dark current	$V_{CE} = 10\text{ V}, I_F = 0, E = 0$	I_{CEO}			100	nA

Coupler

Parameter	Test Conditions	Symbol	Min.	Typ.	Max.	Unit
Collector emitter saturation voltage	$I_F = 20\text{ mA}, I_C = 5\text{ mA}$	V_{CEsat}			0.1	V
Cut-off frequency	$I_F = 10\text{ mA}, V_{CE} = 5\text{ V}, R_L = 100\ \Omega$	f_c		10		kHz
Coupling capacitance	$f = 1\text{ MHz}$	C_k		0.3		pF

Current Transfer Ratio (CTR)

Parameter	Test Conditions	Type	Symbol	Min.	Typ.	Max.	Unit
I_C/I_F	$V_{CE} = 2\text{ V}, I_F = 1\text{ mA}$	K815P, K825P, K845P	CTR	6.0		8.0	

Switching Characteristics

Parameter	Test Conditions	Symbol	Typ.	Unit
Rise time	$V_{CE} = 2\text{ V}, I_C = 10\text{ mA}, R_L = 100\ \Omega$ (see figure 1)	t_r	300	μs
Turn-off time		t_{off}	250	μs

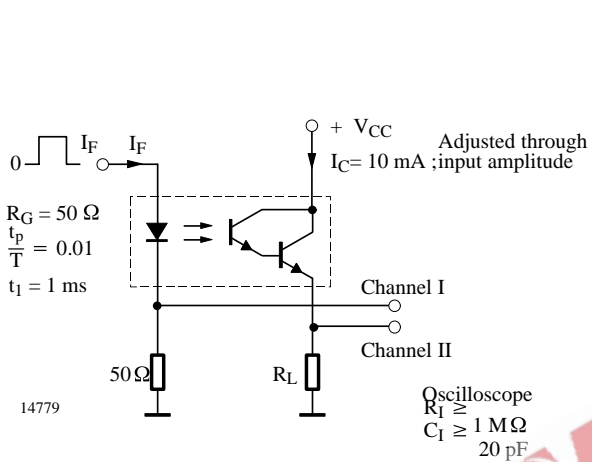


Figure 1. Test circuit, non-saturated operation

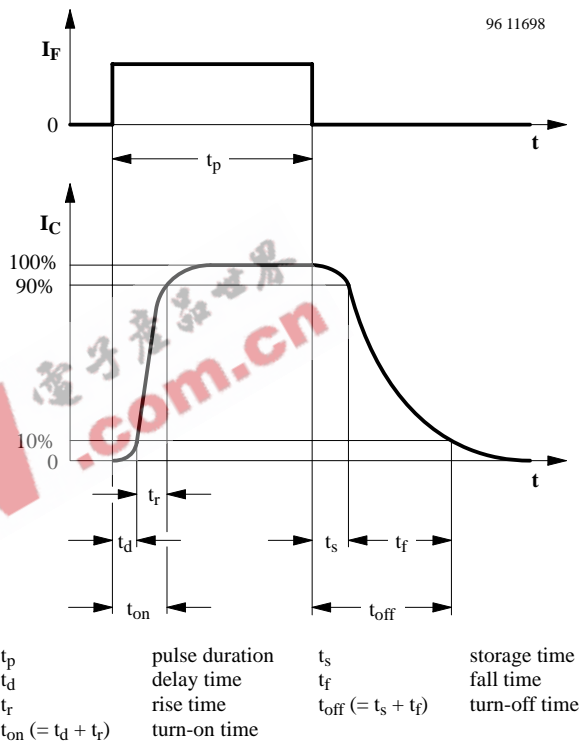


Figure 2. Switching times

Typical Characteristics ($T_{amb} = 25^{\circ}\text{C}$, unless otherwise specified)

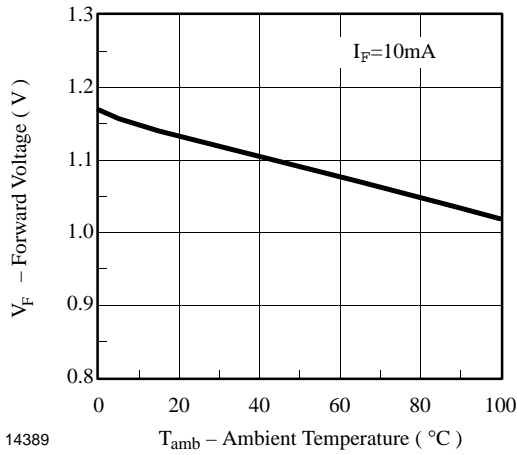


Figure 3. Forward Voltage vs. Ambient Temperature

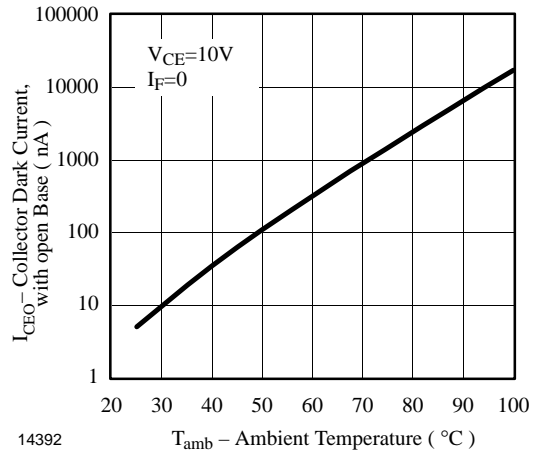


Figure 6. Collector Dark Current vs. Ambient Temperature

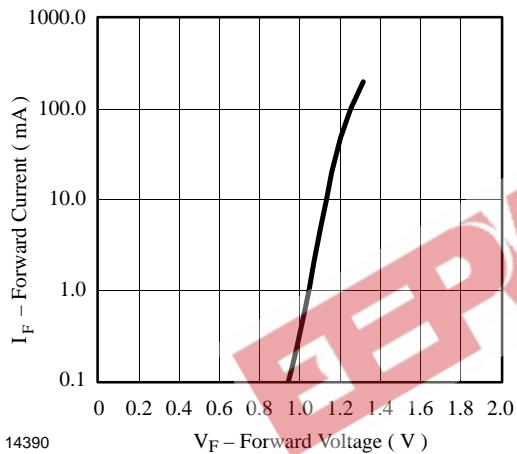


Figure 4. Forward Current vs. Forward Voltage

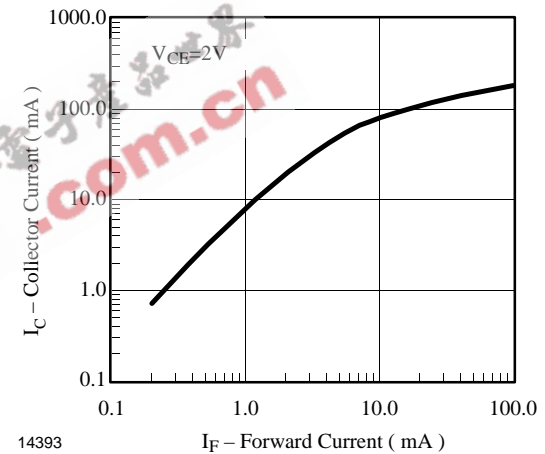


Figure 7. Collector Current vs. Forward Current

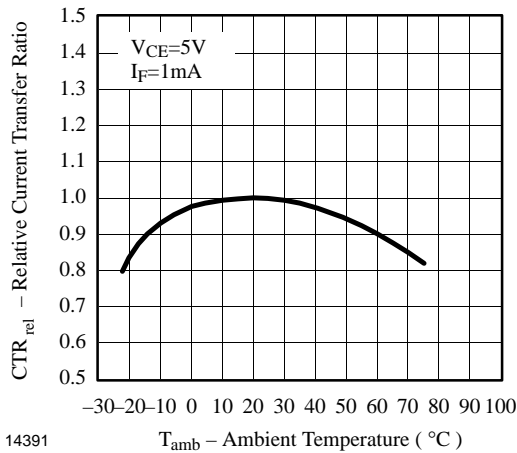


Figure 5. Relative Current Transfer Ratio vs. Ambient Temperature

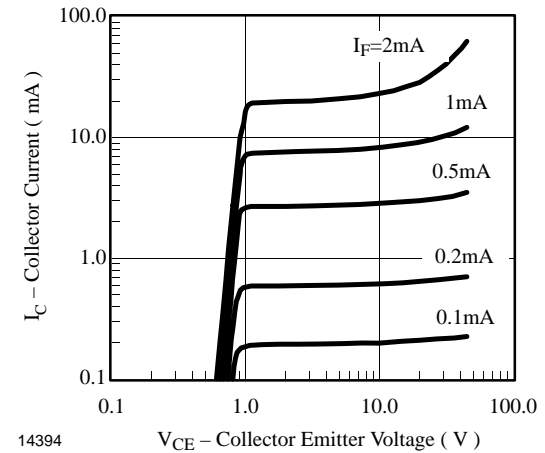


Figure 8. Collector Current vs. Collector Emitter Voltage

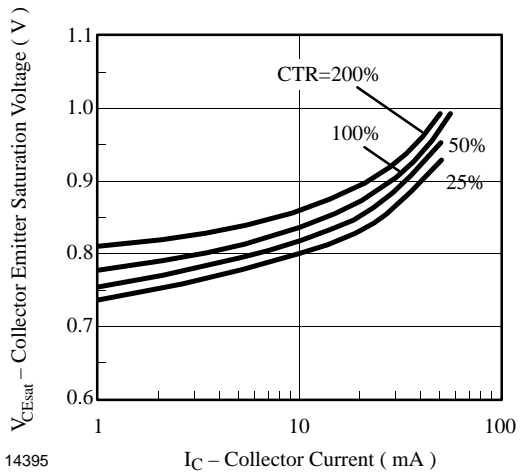


Figure 9. Collector Emitter Saturation Voltage vs. Collector Current

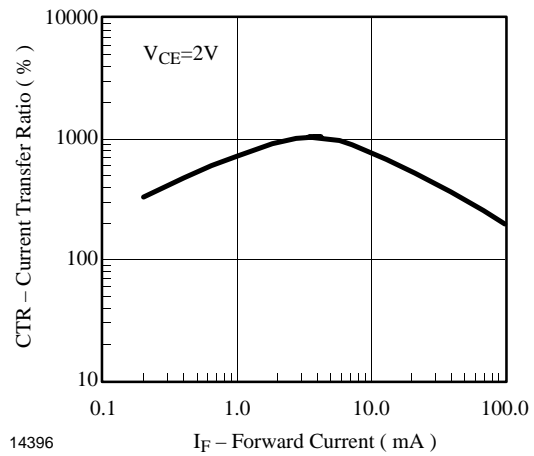


Figure 10. Current Transfer Ratio vs. Forward Current

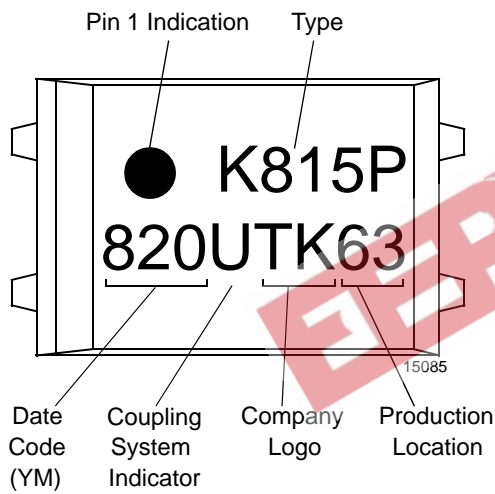
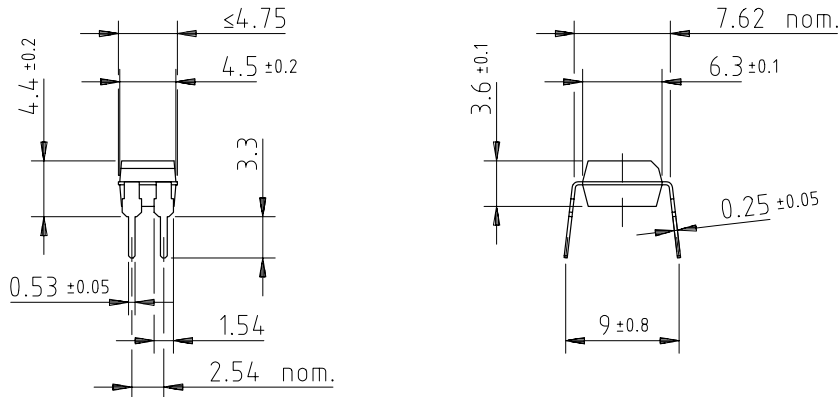


Figure 11. Marking example

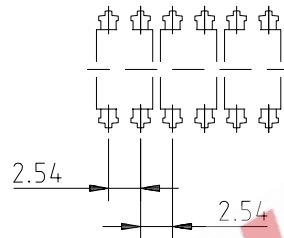
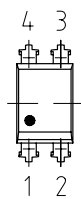
Dimensions of K815P in mm



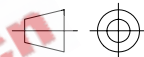
E.g.:
special Features: endstackable
to 2.54mm (.100") spacing

weight: ca. 0.25 g
creepage distance: $\geq 6 \text{ mm}$
air path: $\geq 6 \text{ mm}$

after mounting on PC board

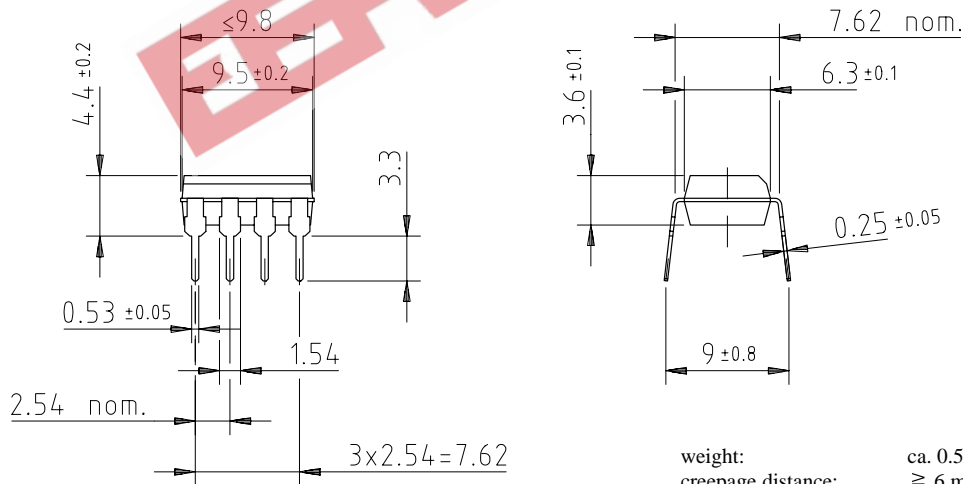


96 12231



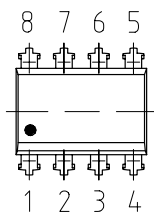
technical drawings
according to DIN
specifications

Dimensions of K825P in mm

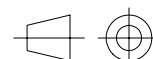


weight: ca. 0.5 g
creepage distance: $\geq 6 \text{ mm}$
air path: $\geq 6 \text{ mm}$

after mounting on PC board



96 12228



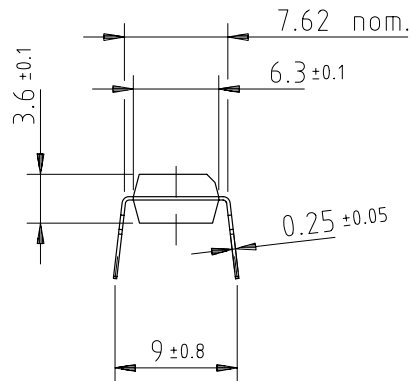
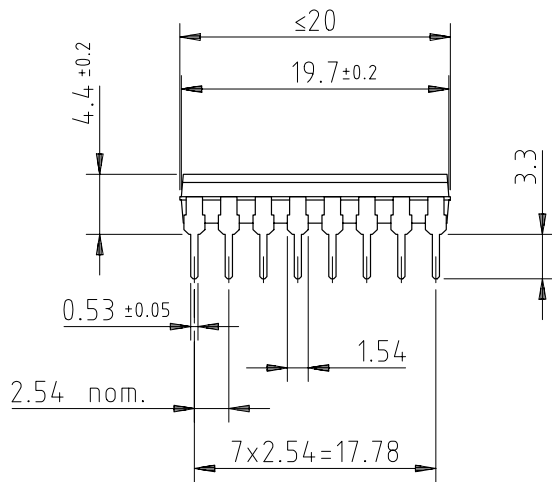
technical drawings
according to DIN
specifications

K815P/ K825P/ K845P

Vishay Telefunken

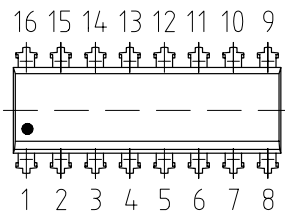


Dimensions of K845P in mm

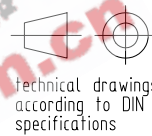


weight: ca. 1.1 g
creepage distance: ≥ 6 mm
air path: ≥ 6 mm

after mounting on PC board



96 12227



Technical drawings according to DIN specifications

EPW.com.cn 电子产品世界



Ozone Depleting Substances Policy Statement

It is the policy of **Vishay Semiconductor GmbH** to

1. Meet all present and future national and international statutory requirements.
2. Regularly and continuously improve the performance of our products, processes, distribution and operating systems with respect to their impact on the health and safety of our employees and the public, as well as their impact on the environment.

It is particular concern to control or eliminate releases of those substances into the atmosphere which are known as ozone depleting substances (ODSs).

The Montreal Protocol (1987) and its London Amendments (1990) intend to severely restrict the use of ODSs and forbid their use within the next ten years. Various national and international initiatives are pressing for an earlier ban on these substances.

Vishay Semiconductor GmbH has been able to use its policy of continuous improvements to eliminate the use of ODSs listed in the following documents.

1. Annex A, B and list of transitional substances of the Montreal Protocol and the London Amendments respectively
2. Class I and II ozone depleting substances in the Clean Air Act Amendments of 1990 by the Environmental Protection Agency (EPA) in the USA
3. Council Decision 88/540/EEC and 91/690/EEC Annex A, B and C (transitional substances) respectively.

Vishay Semiconductor GmbH can certify that our semiconductors are not manufactured with ozone depleting substances and do not contain such substances.

We reserve the right to make changes to improve technical design and may do so without further notice.

Parameters can vary in different applications. All operating parameters must be validated for each customer application by the customer. Should the buyer use Vishay Telefunken products for any unintended or unauthorized application, the buyer shall indemnify Vishay Telefunken against all claims, costs, damages, and expenses, arising out of, directly or indirectly, any claim of personal damage, injury or death associated with such unintended or unauthorized use.

Vishay Semiconductor GmbH, P.O.B. 3535, D-74025 Heilbronn, Germany
Telephone: 49 (0)7131 67 2831, Fax number: 49 (0)7131 67 2423