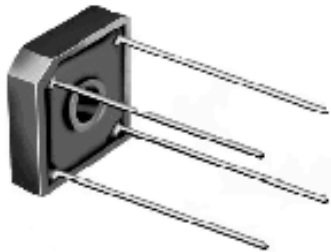


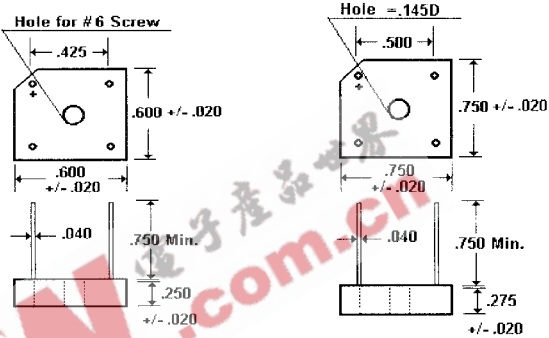
10 to 15 Amp SINGLE PHASE SILICON BRIDGE

KBPSC10 & 15 Series

Description



Mechanical Dimensions



Features

- BUILT-IN INTEGRAL HEAT SINK
- UL RECOGNITION AVAILABLE
- SMALL PACKAGE
- UP TO 300 AMP SURGE OVERLOAD RATING
- LOW LEAKAGE CURRENT, LESS THAN 1 μ A

Electrical Characteristics @ 25°C.	KBPSC10 . . . 15 Series							Units
Maximum Ratings	-00	-01	-02	-04	-06	-08	-10	
Peak Repetitive Reverse Voltage... V_{RRM}	50	100	200	400	600	800	1000	Volts
RMS Reverse Voltage... $V_{R(rms)}$	35	70	140	280	420	560	700	Volts
DC Blocking Voltage... V_{DC}	50	100	200	400	600	800	1000	Volts
Average Forward Rectified Current... $I_{F(av)}$	KBPSC10		10			Amps
	KBPSC15		15			Amps
Non-Repetitive Peak Forward Surge Current... I_{FSM}	KBPSC10		200			Amps
	KBPSC15		300			Amps
Forward Voltage... V_F	KBPSC10		1.1			Volts
	KBPSC15		1.1			Volts
Isolation Voltage Case to Leads... V_{ISO}			2000			Volts AC
DC Reverse Current... I_R @ Rated DC/Element			10			μ Amps
Thermal Resistance... $R_{\theta JC}$ (Note 1)			1.2			°C / W
Operating & Storage Temperature Range... T_J, T_{STRG}			-65 to 175			°C