

ROTARY SWITCHES



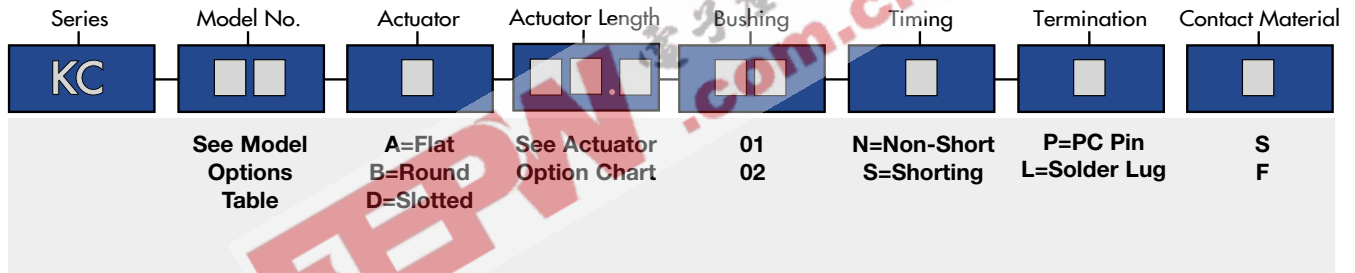
**SPECIFICATIONS**

Ratings: 350 mA @ 125 VAC  
 150 mA @ 250 VAC  
 Electrical Life: 10,000 cycles typical  
 Contact Resistance: 25mΩ initial @ 2-4 VDC, 100mA  
 Dielectric Strength: 1,500 max V rms at sea level  
 Insulation Resistance: 100MΩ min.  
 Operating Force: 8.6 N/cm

**MATERIALS**

Housing, Base, Shaft: Glass filled nylon  
 Contact: Silver plated copper alloy  
 Gold flash over silver plate  
 Hardware: Nut-Zinc, nickel plated  
 Lockwasher-Steel, zinc plated  
 Stop ring-Brass, nickel plated

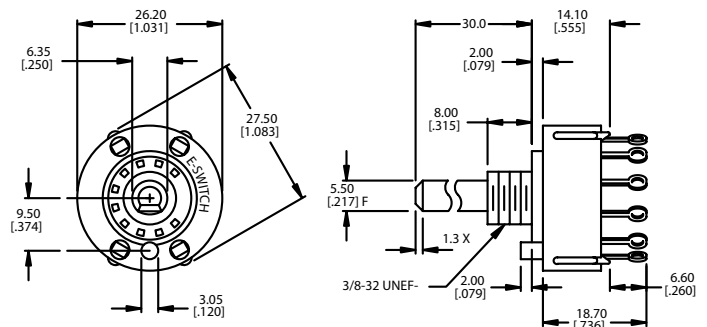
HOW TO ORDER



EXAMPLE

KC → 13 → B → 7.0 → 02 → N → L → S

GENERAL INFORMATION



MODEL NUMBER OPTIONS

(SP Models)

| Model | Sw. Func.         | Terms          |
|-------|-------------------|----------------|
| 10    | 12-pos.-No stops  | A, 1-12        |
| 11    | ST                | A, 2*          |
| 12    | DT                | A, 1,2*        |
| 13    | 3 pos.            | A, 1-3*        |
| 14    | 4 pos.            | A, 1-4*        |
| 15    | 5 pos.            | A, 1-5*        |
| 16    | 6 pos.            | A, 1-6*        |
| 17    | 7 pos.            | A, 1-7         |
| 18    | 8 pos.            | A, 1-8         |
| 19    | 9 pos.            | A, 1-9         |
| 50    | 10 pos.           | A, 1-10        |
| 51    | 11 pos.           | A, 1-11        |
| 52    | 12 pos.           | A, 1-12        |
| 53    | 2 pos. -60° index | A, 1,3*        |
| 54    | 2 pos. -90° index | A, 1,4*        |
| 55    | 3 pos. -60° index | A, 1,3,5*      |
| 56    | 3 pos. -90° index | A, 1,4,7       |
| 57    | 4 pos. -60° index | A,1,3,5,7      |
| 58    | 4 pos. -90° index | A,1,4,7,10     |
| 59    | 5 pos. -60° index | A,1,3,5,7,9    |
| 60    | 6 pos. -60° index | A,1,3,5,7,9,11 |

(DP Models)

| Model | Sw. Func.        | Terms            |
|-------|------------------|------------------|
| 20    | 6-pos.-No stops  | A,C,1-12         |
| 21    | ST               | A, C,2,8         |
| 22    | DT               | A,C,1,2,7,8      |
| 23    | 3 pos.           | A,C 1-3, 7-9     |
| 24    | 4 pos.           | A,C,1-4,7-10     |
| 25    | 5 pos.           | A,C,1-5, 7-11    |
| 26    | 6 pos.           | A,C,1-12         |
| 70    | 2 pos. 60° index | A,C,1,3,7,9      |
| 71    | 2 pos. 90° index | A,C,1,4,7,10     |
| 72    | 2 pos. 60° index | A,C,1,3,5,7,9,11 |

(3P Models)

| Model | Sw. Func.         | Terms              |
|-------|-------------------|--------------------|
| 30    | 4-pos.-No stops   | A,B,C,1-12         |
| 31    | ST                | A,B,C,2,6,10       |
| 32    | DT                | A,B,C,1,2,5,6,9,10 |
| 33    | 3 pos.            | A,B,C,1-3,5-7,9-11 |
| 34    | 4 pos.            | A,B,C,1-12         |
| 80    | 2 pos. 60° index  | A,B,C,1,3,5,7,9,11 |
| 81    | 2 pos. -90° index | A,B,C,1,4,5,8,9,12 |

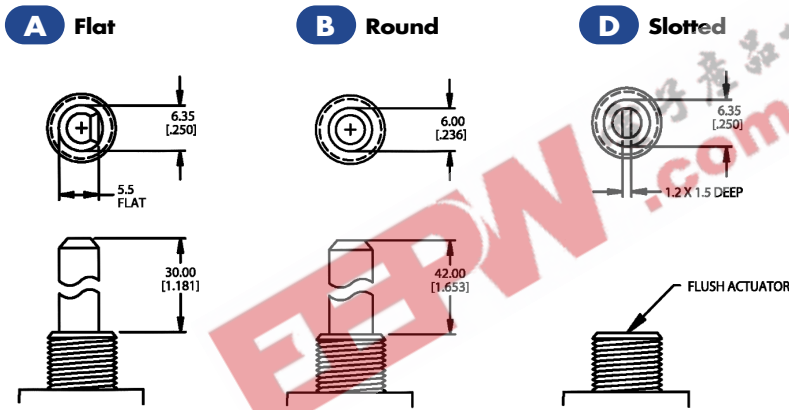
(4P Models)

| Model | Sw. Func.        | Terms                |
|-------|------------------|----------------------|
| 40    | 3-pos.-No stops  | all terms            |
| 41    | ST               | A,B,C,D,2,5,8,11     |
| 42    | DT               | A,B,C,D,1,2,4,5,7,10 |
| 43    | 3 pos.           | all terms            |
| 91    | 2 pos. 60° index | A,B,C,D,1,3,4,6,7,10 |

\* Note: Switches with P terminations (PC pins) have additional terminal no. 9 as switch support only. This terminal is not connected electrically inside switch.

All models 30° indexing unless otherwise noted.

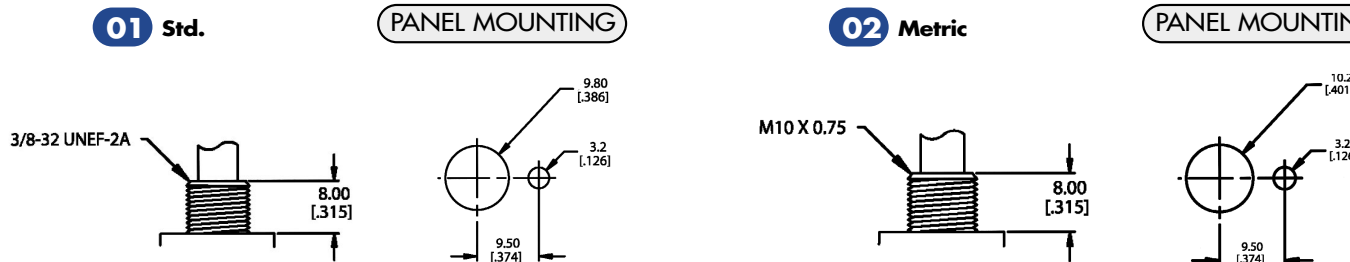
ACTUATOR OPTIONS



| Actuator | Available Actuator Lengths (mm) |      |     |     |      |      |
|----------|---------------------------------|------|-----|-----|------|------|
|          | 30.0                            | 38.0 | 9.5 | 7.0 | 10.0 | 13.0 |
| A        | 30.0                            | 38.0 | 9.5 | 7.0 | 10.0 | 13.0 |
| B        | 30.0                            | 10.0 | 7.0 |     |      |      |
| D        | 0.0                             | 31.5 |     |     |      |      |

\*All actuators shown in Pos. 1, fully CCW.

BUSHING OPTIONS



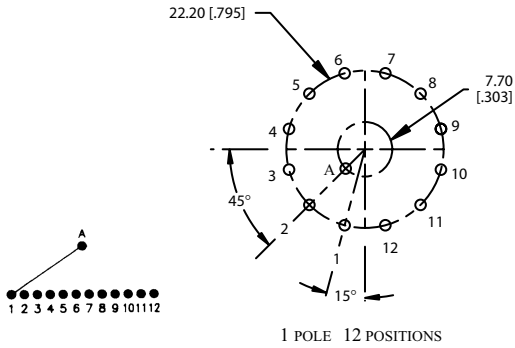
SPECIFICATIONS SUBJECT TO CHANGE WITHOUT NOTICE.

# SERIES **K C** SWITCHES

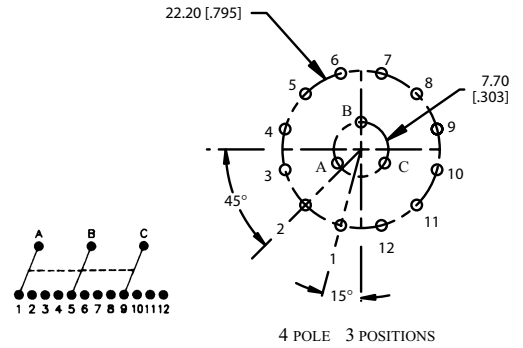
## ROTARY SWITCHES

### SCHEMATICS & P.C. MOUNTING

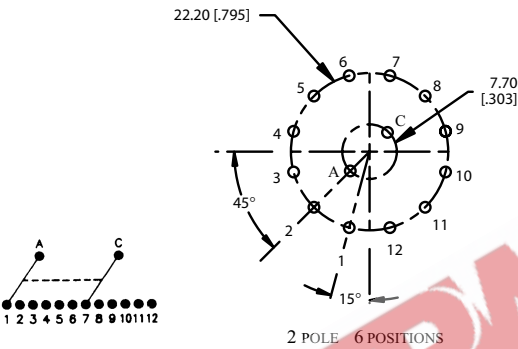
#### SP Model



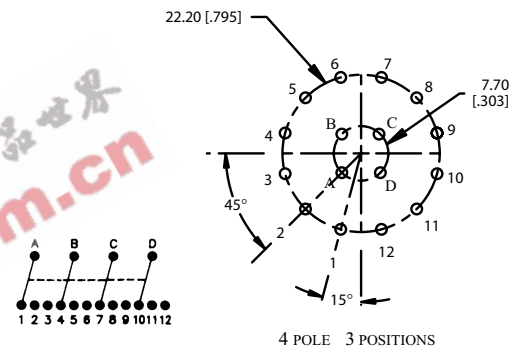
#### 3P Model



#### DP Model



#### 4P Model



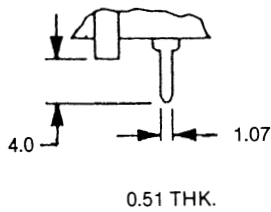
### TIMING OPTIONS

N = (STD.) Non-shorting – break before make  
S = Shorting – make before break

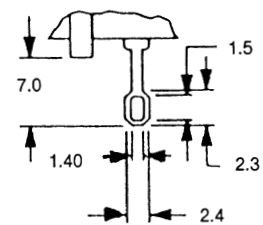
Note: (S) shorting contacts available only with 30° indexing

### TERMINATION OPTIONS

#### P P.C. Pin



#### L Solder Lug



### CONTACT MATERIAL OPTIONS

S = Standard Silver over copper alloy

F = Gold Flash over silver plate over copper alloy