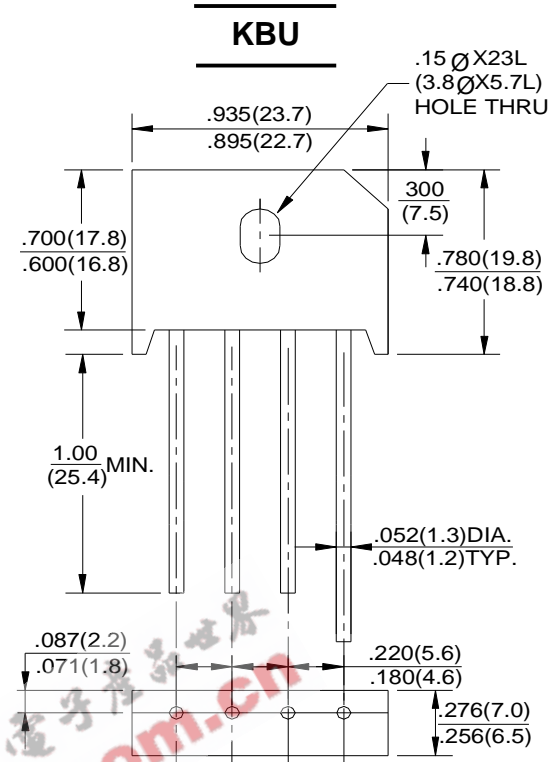


SILICON BRIDGE RECTIFIERS

REVERSE VOLTAGE - 50 to 1000Volts
FORWARD CURRENT - 10/15/25/35 Amperes

FEATURES

- Surge overload rating -240~400 amperes peak
- Ideal for printed circuit board
- Reliable low cost construction utilizing molded plastic technique
- Plastic material has U/L flammability classification 94V-0
- Mounting position:Any



Dimensions in inches and (millimeters)

MAXIMUM RATINGS AND ELECTRICAL CHARACTERISTICS

Rating at 25°C ambient temperature unless otherwise specified.

Single phase, half wave ,60Hz, resistive or inductive load.

For capacitive load, derate current by 20%

CHARACTERISTICS	SYMBOL	KBU	KBU	KBU	KBU	KBU	KBU	KBU	UNIT	
		10005 15005 25005 35005	1001 1501 2501 3501	1002 1502 2502 3502	1004 1504 2504 3504	1006 1506 2506 3506	1008 1508 2508 3508	1010 1510 2510 3510		
Maximum Recurrent Peak Reverse Voltage	V _{RRM}	50	100	200	400	600	800	1000	V	
Maximum RMS Voltage	V _{RMS}	30	70	140	280	420	560	700	V	
Maximum DC Blocking Voltage	V _{DC}	50	100	200	400	600	800	1000	V	
Maximum Average Forward (with heatsink Note 2) Rectified Current @ T _C =100°C (without heatsink)	I _(AV)	10 3.0		15 3.2		25 3.6		35 4.2		A
Peak Forward Surage Current 8.3ms Single Half Sine-Wave Super Imposed on Rated Load (JEDEC Method)	I _{FSM}	KBU 10 240		KBU 15 300		KBU 25 400		KBU 35 400		A
Maximum Forward Voltage at 5.0/7.5/12.5/17.5A DC	V _F	1.0			1.1				V	
Maximum DC Reverse Current @ T _J =25°C at Rated DC Blocking Voltage @ T _J =125°C	I _R	10 500								uA
Operating Temperature Range	T _J	-55 to+125								°C
Storage Temperature Range	T _{STG}	-55 to+125								°C

NOTES: 1.Measured at 1.0MHz and applied reverse voltage of 4.0V DC.

2.Device mounted on 100mm*100mm*1.6mm cu plate heatsink.

FIG. 1 – MAXIMUM FORWARD SURGE CURRENT

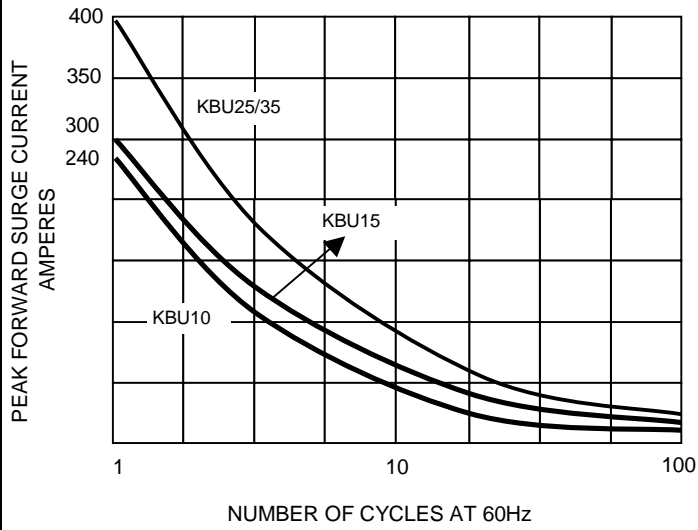


FIG. 2 – DERATING CURVE OUTPUT RECTIFIED CURRENT

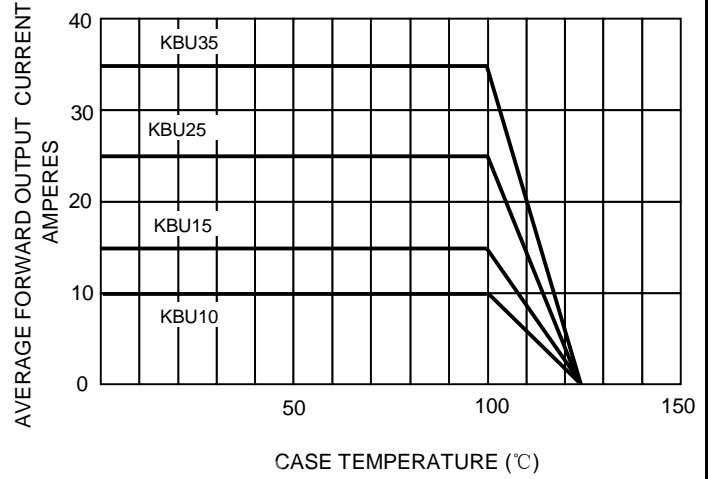


FIG.3– TYPICAL FORWARD CHARACTERISTICS

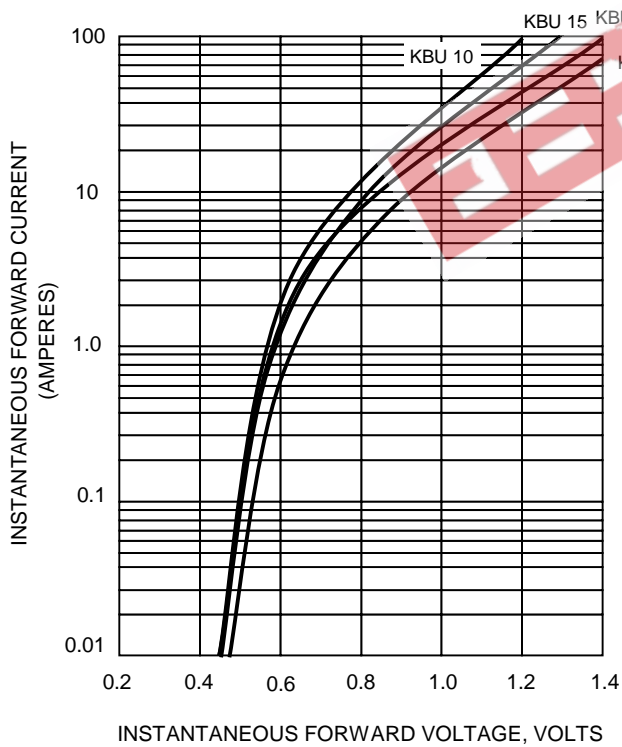


FIG.4– TYPICAL REVERSE CHARACTERISTICS

