

Infrared Emitting Diode(GaAs) KELD001

Description

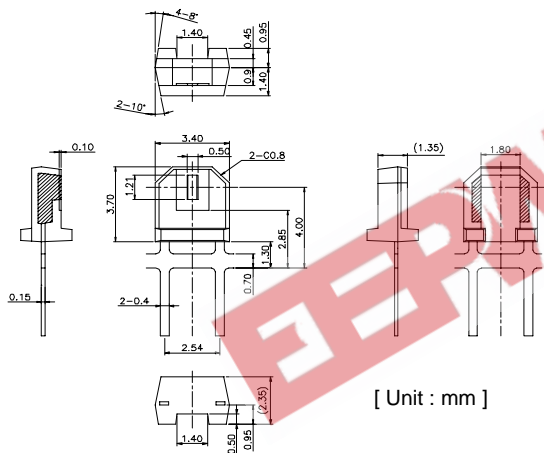
The KELD001, high-power GaAs IRED mounted in a 2nd Mold package, is compact, and easy to mount.

Features

- Compact
- Side-looking with plastic package
- RoHS Compliance
- Small 2nd Mold Package

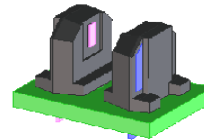


Outline Dimensions



Application

- Encoders
- Mouses
- OA machines
- Photointerrupter



Characteristics

[Ta= 25°C]

Description	Symbol	Condition	Min.	Typ.	Max.	Unit
Forward Current	I_F		-	50	-	mA
Reverse Voltage	V_R		-	5	-	V
Power Dissipation	P_D		-	75	-	mW
Radiant intensity	P_O	$I_F=20mA$	-	0.2	-	mW/sr
Forward Voltage	V_F	$I_F=20mA$	-	1.2	2.0	V
Peak Wavelength	λ_p	$I_F=20mA$	-	940	-	nm
Half Angle	$\Delta\theta$		-	± 15	-	deg.