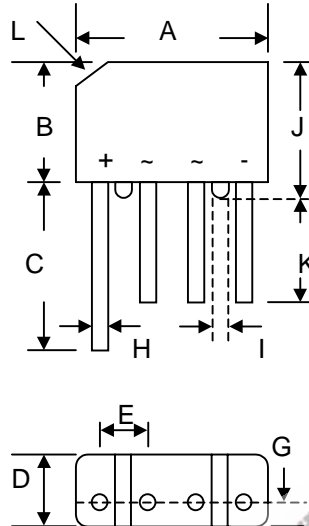


KBP200G – KBP2010G

2.0A GLASS PASSIVATED BRIDGE RECTIFIER

Features

- Glass Passivated Die Construction
- Low Forward Voltage Drop
- High Current Capability
- High Reliability
- High Surge Current Capability
- Ideal for Printed Circuit Boards



KBP		
Dim	Min	Max
A	14.22	15.24
B	10.67	11.68
C	15.2	—
D	4.57	5.08
E	3.60	4.10
G	2.16	2.67
H	0.76	0.86
I	1.52	—
J	11.68	12.7
K	12.7	—
L	3.2 x 45° Typical	
All Dimensions in mm		

Mechanical Data

- Case: Molded Plastic
- Terminals: Plated Leads Solderable per MIL-STD-202, Method 208
- Polarity: As Marked on Body
- Weight: 1.7 grams (approx.)
- Mounting Position: Any
- Marking: Type Number

Maximum Ratings and Electrical Characteristics @ $T_A=25^\circ\text{C}$ unless otherwise specified

Single Phase, half wave, 60Hz, resistive or inductive load.
For capacitive load, derate current by 20%.

Characteristic	Symbol	KBP 200G	KBP 201G	KBP 202G	KBP 204G	KBP 206G	KBP 208G	KBP 2010G	Unit
Peak Repetitive Reverse Voltage	V_{RRM}	50	100	200	400	600	800	1000	V
Working Peak Reverse Voltage	V_{RWM}								
DC Blocking Voltage	VR								
RMS Reverse Voltage	$V_{R(RMS)}$	35	70	140	280	420	560	700	V
Average Rectified Output Current (Note 1)	I_o	2.0							A
		@ $T_A = 50^\circ\text{C}$							
Non-Repetitive Peak Forward Surge Current 8.3ms Single half sine-wave superimposed on rated load (JEDEC Method)	I_{FSM}	60							A
Forward Voltage (per element)	V _{FM}	1.1							V
		@ $I_F = 2.0\text{A}$							
Peak Reverse Current	I_{RM}	10							μA
		@ $T_A = 25^\circ\text{C}$							
		@ $T_A = 100^\circ\text{C}$							
Rating for Fusing ($t < 8.3\text{ms}$)	I^2t	15							A^2s
Typical Junction Capacitance per element (Note 2)	C_j	25							pF
Typical Thermal Resistance (Note 3)	$R_{\theta JA}$	30							K/W
Operating and Storage Temperature Range	T_j, T_{STG}	-55 to +165							$^\circ\text{C}$

- Note: 1. Leads maintained at ambient temperature at a distance of 9.5mm from the case.
2. Measured at 1.0 MHz and applied reverse voltage of 4.0V D.C.
3. Thermal resistance junction to ambient mounted on PC board with 12mm² copper pad.

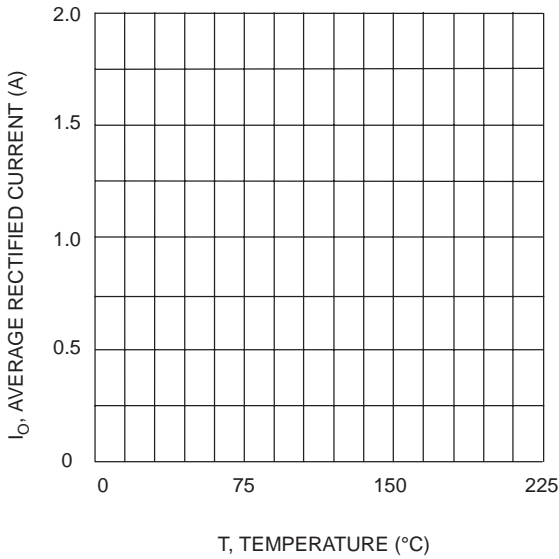


Fig. 1 Forward Current Derating Curve

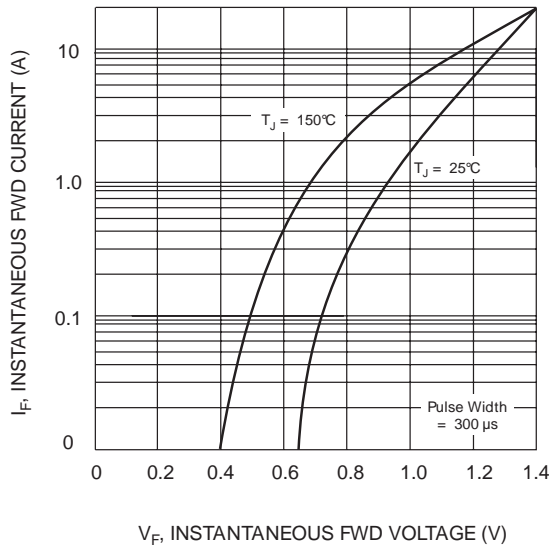


Fig. 2 Typical Fwd Characteristics

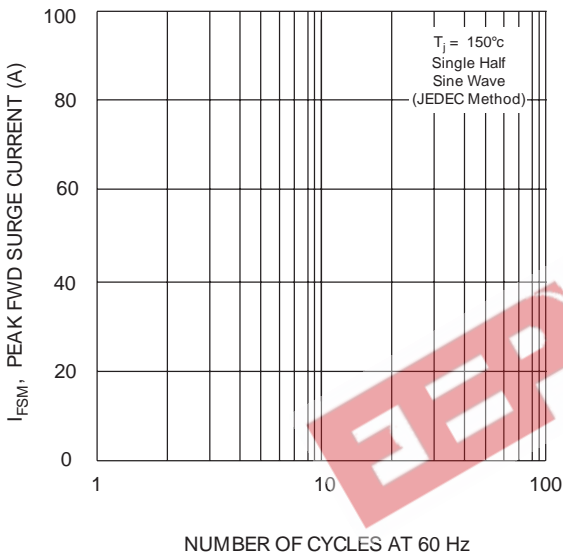


Fig. 3 Max Non-Repetitive Peak Fwd Surge Current

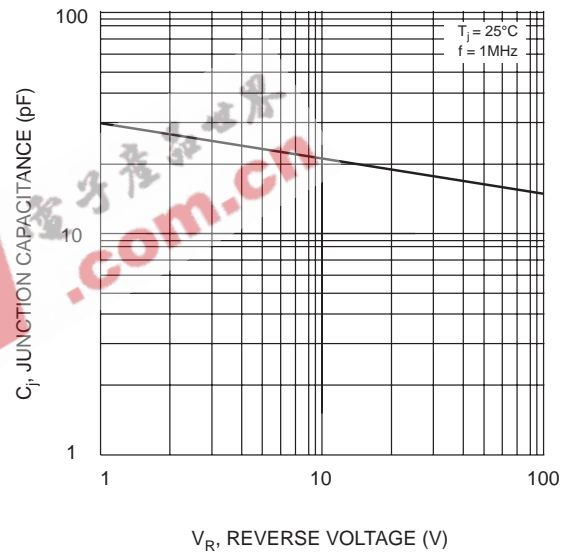


Fig. 4 Typical Junction Capacitance

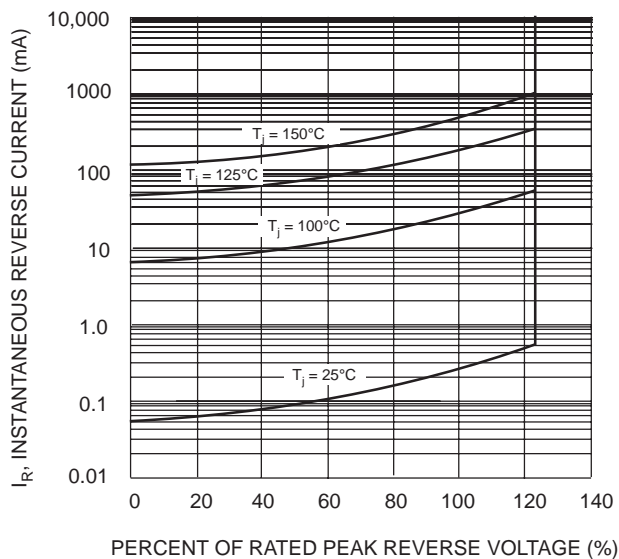


Fig. 5 Typical Reverse Characteristics

ORDERING INFORMATION

Product No.	Package Type	Shipping Quantity
KBP200G	SIL Bridge	1000 Units/Box
KBP201G	SIL Bridge	1000 Units/Box
KBP202G	SIL Bridge	1000 Units/Box
KBP204G	SIL Bridge	1000 Units/Box
KBP206G	SIL Bridge	1000 Units/Box
KBP208G	SIL Bridge	1000 Units/Box
KBP2010G	SIL Bridge	1000 Units/Box

Shipping quantity given is for minimum packing quantity only. For minimum order quantity, please consult the Sales Department.

EEPW 電子產品世界
.com.cn

Won-Top Electronics Co., Ltd (WTE) has checked all information carefully and believes it to be correct and accurate. However, WTE cannot assume any responsibility for inaccuracies. Furthermore, this information does not give the purchaser of semiconductor devices any license under patent rights to manufacturer. WTE reserves the right to change any or all information herein without further notice.

WARNING: DO NOT USE IN LIFE SUPPORT EQUIPMENT. WTE power semiconductor products are not authorized for use as critical components in life support devices or systems without the express written approval.

Won-Top Electronics Co., Ltd.

No. 44 Yu Kang North 3rd Road, Chine Chen Dist., Kaohsiung, Taiwan

Phone: 886-7-822-5408 or 886-7-822-5410

Fax: 886-7-822-5417

Email: sales@wontop.com

Internet: <http://www.wontop.com>

We power your everyday.