



## KBPC8005 THRU KBPC810

### SINGLE PHASE SILICON BRIDGE RECTIFIER

TECHNICAL  
SPECIFICATION

**VOLTAGE: 50 TO 1000V CURRENT: 8.0A**

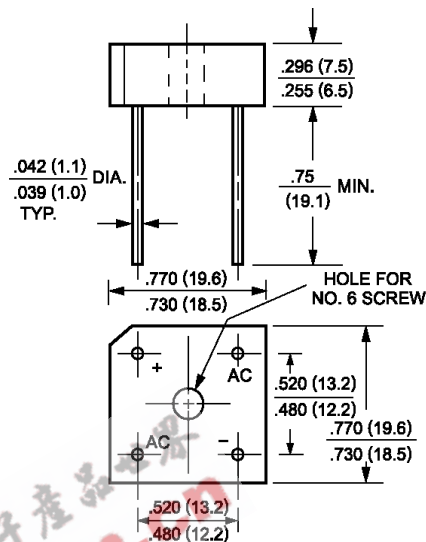
#### FEATURES

- Surge overload rating: 125A peak
- High case dielectric strength
- High temperature soldering guaranteed: 250°C/10sec/0.375"(9.5mm) lead length at 5 lbs tension

#### MECHANICAL DATA

- Terminal: Plated leads solderable per MIL-STD 202E, method 208C
- Case: UL-94 Class V-O recognized flame retardant epoxy
- Polarity: Polarity symbol marked on body
- Mounting position: Hole thru for #6 screw

#### KBPC8



Dimensions in inches and (millimeters)

#### MAXIMUM RATINGS AND ELECTRICAL CHARACTERISTICS

(Single-phase, half-wave, 60Hz, resistive or inductive load rating at 25°C, unless otherwise stated, for capacitive load, derate current by 20%)

RATINGS	SYMBOL	KBPC 8005	KBPC 801	KBPC 802	KBPC 804	KBPC 806	KBPC 808	KBPC 810	UNITS
Maximum Repetitive Peak Reverse Voltage	$V_{RRM}$	50	100	200	400	600	800	1000	V
Maximum RMS Voltage	$V_{RMS}$	35	70	140	280	420	560	700	V
Maximum DC Blocking Voltage	$V_{DC}$	50	100	200	400	600	800	1000	V
Maximum Average Forward Rectified Current ( $T_c=50^\circ\text{C}$ )	$I_{F(AV)}$	8.0							A
Peak Forward Surge Current (8.3ms single half sine-wave superimposed on rated load)	$I_{FSM}$	125							A
Maximum Instantaneous Forward Voltage (at forward current 4.0A DC)	$V_F$	1.1							V
Maximum DC Reverse Current ( $T_a=25^\circ\text{C}$ ) (at rated DC blocking voltage) ( $T_a=100^\circ\text{C}$ )	$I_R$	10.0 500							$\mu\text{A}$ $\mu\text{A}$
Operating Temperature Range	$T_J$	-55 to +125							$^\circ\text{C}$
Storage Temperature	$T_{STG}$	-55 to +150							$^\circ\text{C}$