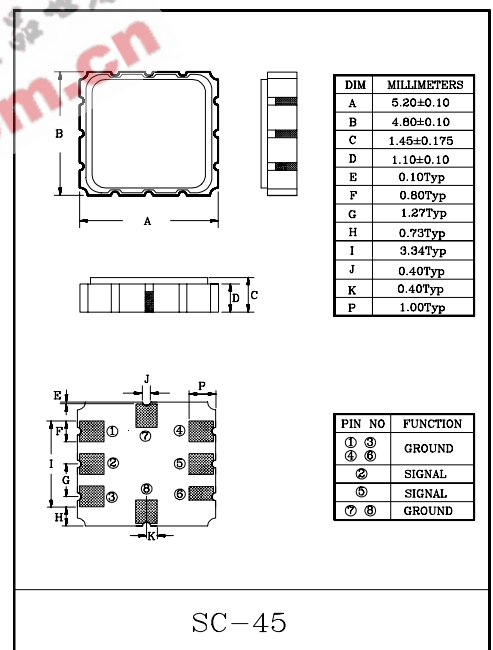
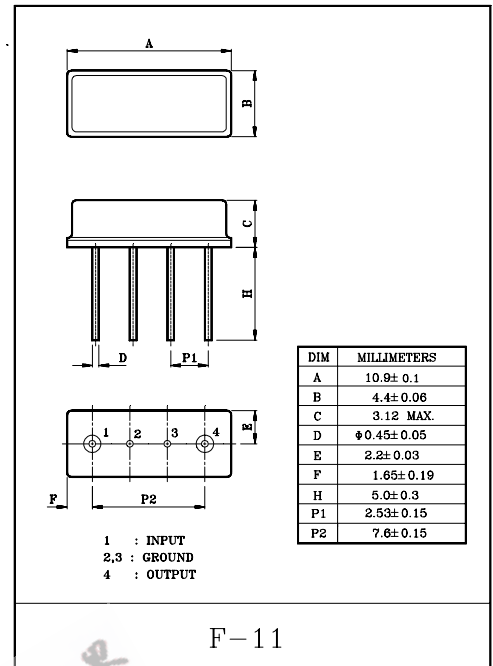


Band pass filters for the receiving RF circuits of pager

- High stability and reliability with good performance.
- Low insertion loss and deep stop band attenuation for interference.

### MAXIMUM RATINGS (T<sub>a</sub>=25°C)

ITEM	SYMBOL	RATING	UNIT
Input Signal Level	IS <sub>max</sub>	0	dBm
DC Permissive Voltage	V <sub>DC</sub>	+10	V
Operating Temperature Range	T <sub>opr</sub>	-10~+50	°C
Storage Temperature Range	T <sub>stg</sub>	-30~+85	°C

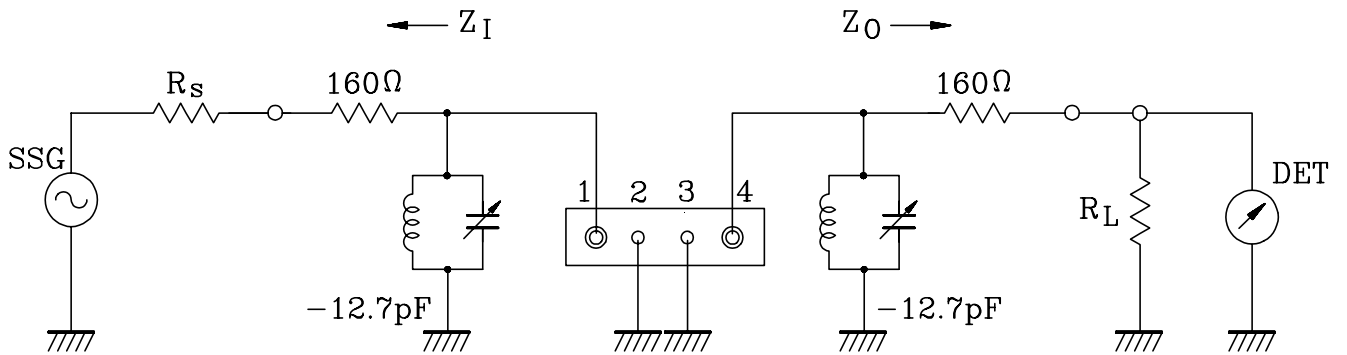


### ELECTRICAL CHARACTERISTICS (Temperature 20±2°C, Humidity 65±5%)

ITEMS	SYMBOL	TEST CONDITION	MIN.	TYP.	MAX.	UNIT
Nominal Center Frequency	f <sub>0</sub>		-	171	-	MHz
Bandwidth	BW <sub>3dB</sub>		f <sub>0</sub> ±4.0	-	-	MHz
Insertion Loss	IL <sub>PASS</sub>	f <sub>0</sub> ±4.0MHz	-	-	6.0	dB
Rejection Level	IL <sub>STOP</sub>	f <sub>0</sub> -100~f <sub>0</sub> -38.8MHz	50	-	-	dB
		f <sub>0</sub> +38.8~f <sub>0</sub> +100MHz	42	-	-	dB
Input/Output Impedance	Z <sub>i</sub> (Z <sub>o</sub> )		-	210Ω// -12.7pF	-	-

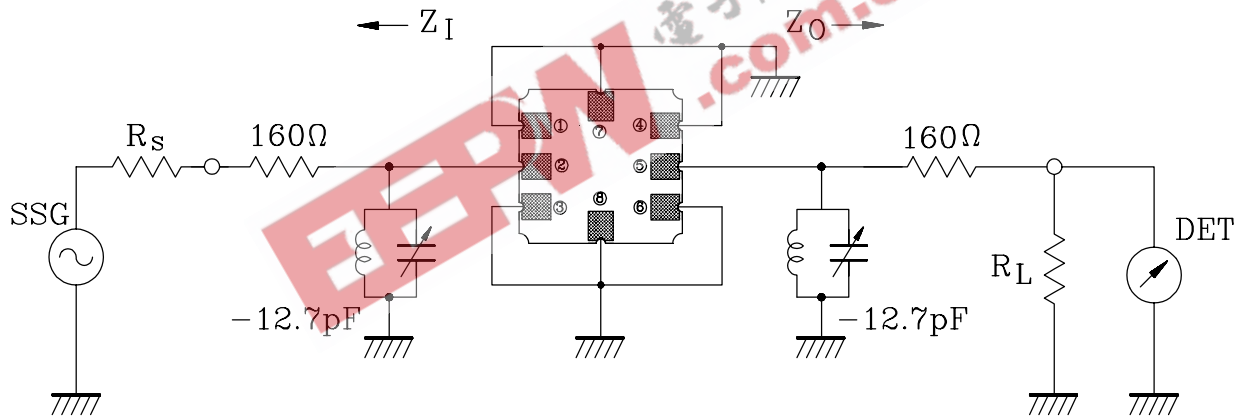
# KF171/S

## TEST CIRCUIT



1 : Input    2,3 : Ground    4 : Output

$R_s, R_L : 50\Omega$  (Internal Impedance of Source and Load)



② : INPUT    ①, ③, ④, ⑥, ⑦, ⑧ : GROUND    ⑤ : OUTPUT

# KF171/S

## ATT - f

