



Micro Commercial Components
 21201 Itasca Street Chatsworth
 CA 91311
 Phone: (818) 701-4933
 Fax: (818) 701-4939

KBPC2500GS THRU KBPC2510GS

Features

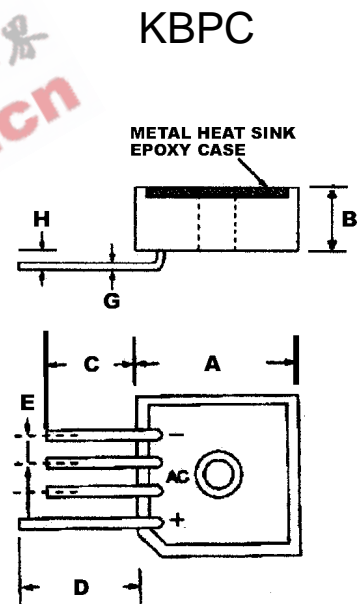
- Low Forward Voltage Drop
- High Current Capability
- High Reliability
- High Surge Current Capability
- Ideal for Printed Circuit Boards
- Designed for Saving Mounting Space

**25 Amp Glass Passivated
 In-Line Bridge Rectifier
 50 to 1000 Volts**

Maximum Ratings

- Operating Junction Temperature: -65°C to +150°C
- Storage Temperature: -65°C to +150°C

MCC Catalog Number	Device Marking	Maximum Reurrent Peak Reverse Voltage	Maximum RMS Voltage	Maximum DC Blocking Voltage
KBPC2500GS	KBPC2500GS	50V	35V	50V
KBPC2501GS	KBPC2501GS	100V	70V	100V
KBPC2502GS	KBPC2502GS	200V	140V	200V
KBPC2504GS	KBPC2504GS	400V	280V	400V
KBPC2506GS	KBPC2506GS	600V	420V	600V
KBPC2508GS	KBPC2508GS	800V	560V	800V
KBPC2510GS	KBPC2510GS	1000V	700V	1000V



Electrical Characteristics @ 25°C Unless Otherwise Specified

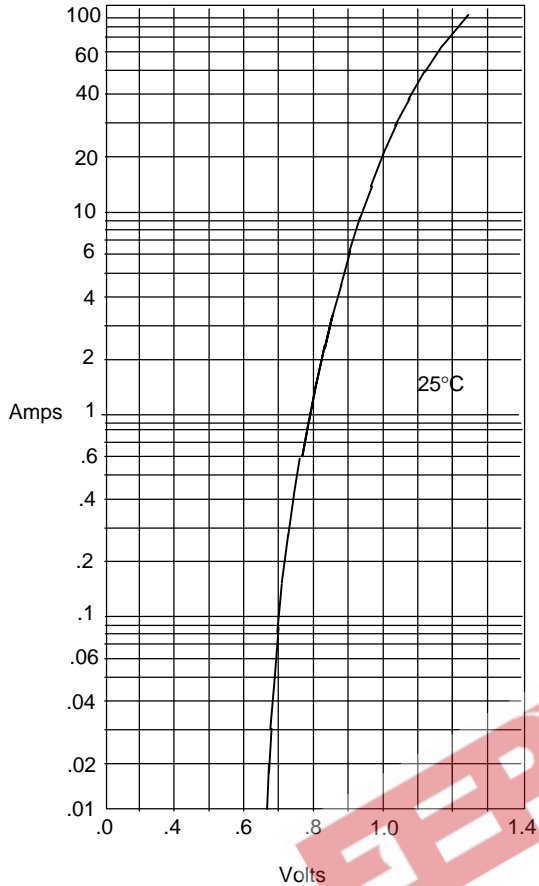
Average Forward Current	$I_{F(AV)}$	25A	$T_C = 55^\circ\text{C}$
Peak Forward Surge Current	I_{FSM}	300A	8.3ms, half sine
Maximum Forward Voltage Drop Per Element	V_F	1.1V	$I_{FM} = 12.5\text{A}$ per element; $T_A = 25^\circ\text{C}$
Maximum DC Reverse Current At Rated DC Blocking Voltage	I_R	5 μA 500 μA	$T_C = 25^\circ\text{C}$ $T_C = 125^\circ\text{C}$

*Pulse test: Pulse width 300 μsec , Duty cycle 1%

DIM	DIMENSIONS				NOTE
	INCHES		MM		
A	MIN 1.12	MAX 1.13	MIN 28.40	MAX 28.70	
B	.432	.442	10.97	11.23	
C	.547	---	13.90	---	
D	.752	---	19.10	---	
E	.201	---	5.10	---	
G	.047	---	1.20	---	∅
H	.120	.142	3.05	3.60	

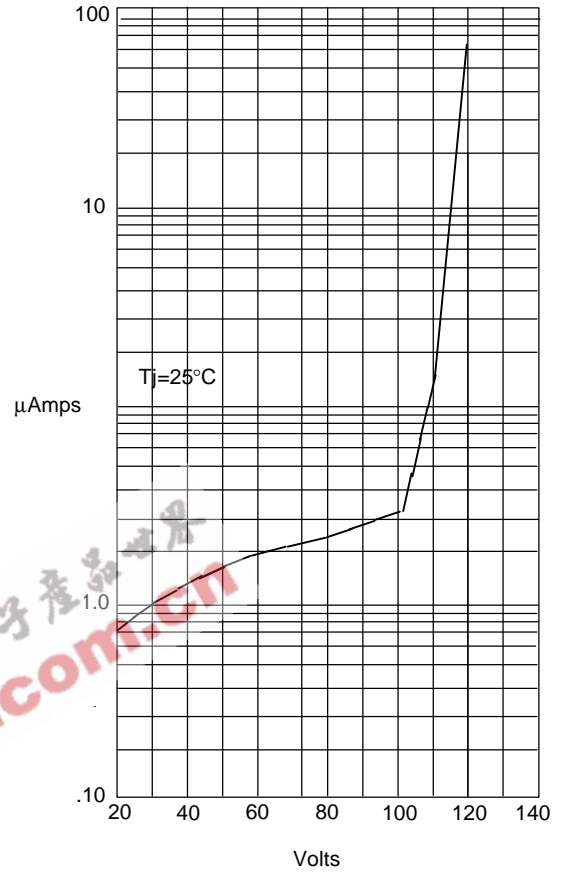
KBPC2500GS thru KBPC2510GS

Figure 1
Typical Forward Characteristics



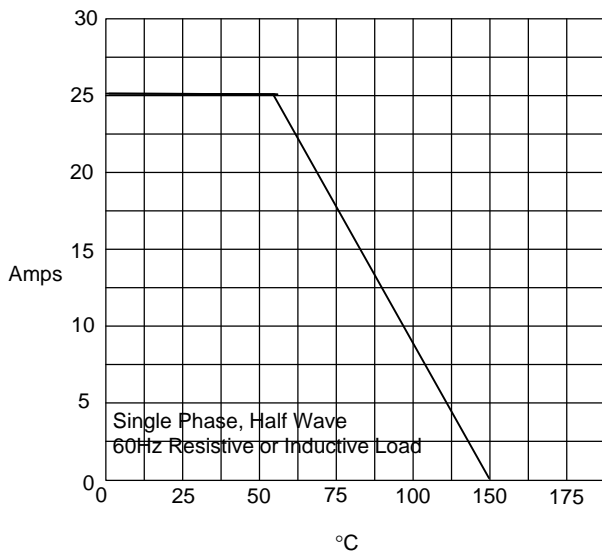
Instantaneous Forward Current - Amperes versus
Instantaneous Forward Voltage - Volts

Figure 2
Typical Reverse Characteristics



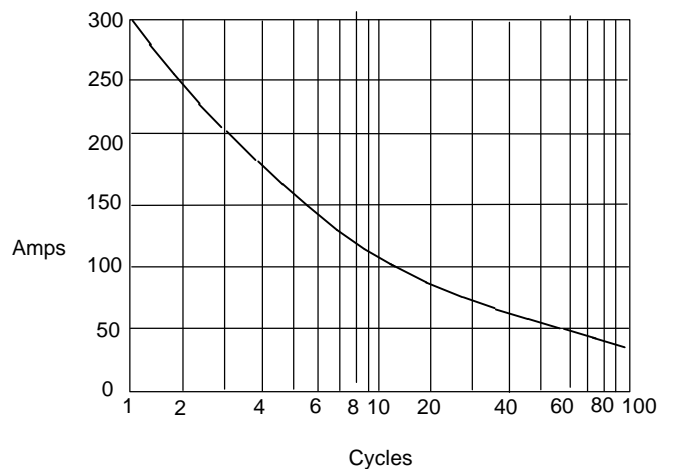
Instantaneous Reverse Leakage Current - μ A
Percent Of Rated Peak Reverse Voltage - Volts

Figure 3
Forward Derating Curve



Average Forward Rectified Current - Amperes versus
Case Temperature - °C

Figure 4
Peak Forward Surge Current



Peak Forward Surge Current - Amperes versus
Number Of Cycles At 60Hz - Cycles