



## KBPC25005 THRU KBPC2510

### SINGLE PHASE SILICON BRIDGE RECTIFIER

### TECHNICAL SPECIFICATION

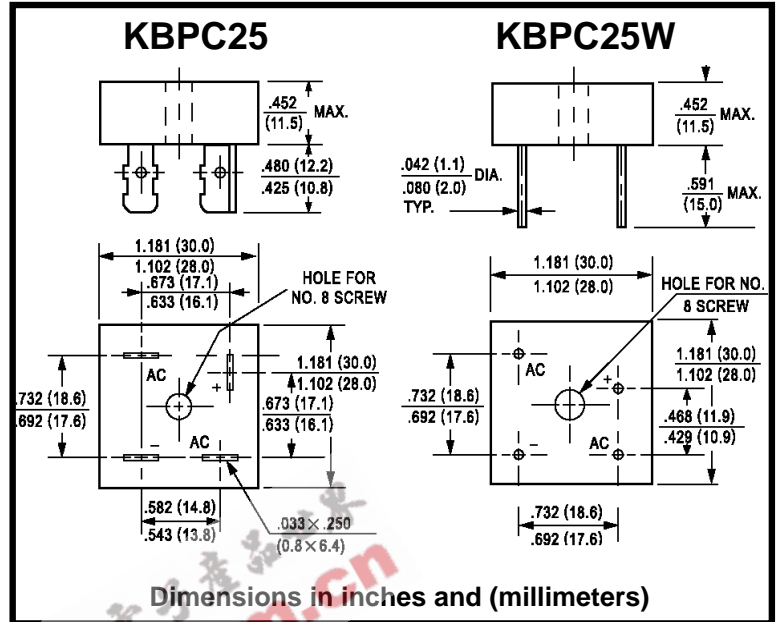
**VOLTAGE: 50 TO 1000V CURRENT: 25A**

#### FEATURES

- Surge overload rating: 300A peak
- High case dielectric strength
- 1/4" universal fasten terminal
- and  $\phi.04$ " lead - wire available
- High temperature soldering guaranteed:  
250°C/10sec/0.375"(9.5mm) lead length  
at 5 lbs tension

#### MECHANICAL DATA

- Polarity: Polarity symbol marked on body
- Mounting position: Hole thru for #8 screw
- Case: metal or plastic



#### MAXIMUM RATINGS AND ELECTRICAL CHARACTERISTICS

(Single-phase, half-wave, 60Hz, resistive or inductive load rating at 25°C, unless otherwise stated, for capacitive load, derate current by 20%)

RATINGS	SYMBOL	KBPC	KBPC	KBPC	KBPC	KBPC	KBPC	KBPC	UNITS
		25005	2501	2502	2504	2506	2508	2510	
Maximum Repetitive Peak Reverse Voltage	$V_{RRM}$	50	100	200	400	600	800	1000	V
Maximum RMS Voltage	$V_{RMS}$	35	70	140	280	420	560	700	V
Maximum DC Blocking Voltage	$V_{DC}$	50	100	200	400	600	800	1000	V
Maximum Average Forward Rectified Current ( $T_c=55^\circ\text{C}$ )	$I_{F(AV)}$	25							A
Peak Forward Surge Current (8.3ms single half sine-wave superimposed on rated load)	$I_{FSM}$	300							A
Maximum Instantaneous Forward Voltage (at forward current 12.5A DC)	$V_F$	1.1							V
Maximum DC Reverse Current ( $T_a=25^\circ\text{C}$ )	$I_R$	10.0							$\mu\text{A}$
(at rated DC blocking voltage) ( $T_a=100^\circ\text{C}$ )		500							$\mu\text{A}$
Storage and Operating Junction Temperature	$T_{STG}, T_J$	-55 to +150							$^\circ\text{C}$

Note:

Suffix "W" for wire type