



DATA SHEET

KBJ2000~KBJ2010

SILICON BRIDGE RECTIFIERS

VOLTAGE - 50 to 1000 Volts CURRENT - 25.0 Amperes

FEATURES

- Plastic material has Underwriters Laboratory Flammability Classification 94V-O
- Ideal for printed circuit board
- Reliable low cost construction utilizing molded plastic technique
- Surge overload rating: 400 Amperes
- High temperature soldering guaranteed:
260° C/10 seconds/.375"(9.5mm) lead length at 5 lbs. (2.3kg) tension
- Pb free product are available : 99% Sn above can meet RoHS environment substance directive request

MECHANICAL DATA

Case: Reliable low cost construction utilizing molded plastic technique

Terminals: Leads solderable per MIL-STD-750,

Method 2026

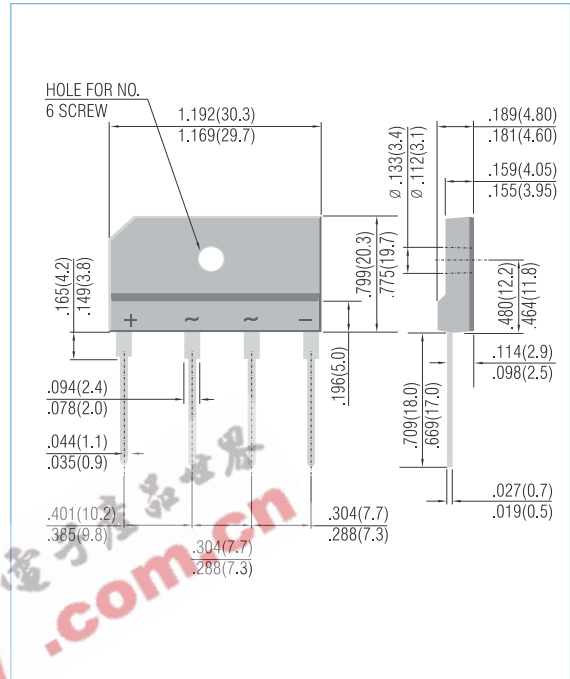
Mounting position: Any

Mounting torque: 20 in. lb. Max.

Weight: 7.056g

KBJ

Unit: inch (mm)



MAXIMUM RATINGS AND ELECTRICAL CHARACTERISTICS

Rating at 25° C ambient temperature unless otherwise specified. Resistive or inductive load, 60Hz.

For Capacitive load derate current by 20%.

PARAMETER	SYMBOL	KBJ 2000	KBJ 2001	KBJ 2002	KBJ 2004	KBJ 2006	KBJ 2008	KBJ 2010	UNITS
Maximum Recurrent Peak Reverse Voltage	V_{RRM}	50	100	200	400	600	800	1000	V
Maximum RMS Voltage	V_{RMS}	35	70	140	280	420	560	700	V
Maximum DC Blocking Voltage	V_{DC}	50	100	200	400	600	800	1000	V
Maximum Average Forward Current for Resistive Load at $T_c = 55^\circ C$	I_{AV}	20							A
Non-repetitive Peak Forward Surge Current, Rated Load	I_{FSM}	300							A
Maximum Forward Voltage per Bridge Element at 20A Specified Current	V_F	1.1							V
Maximum Reverse Leakage Current at Rated @ $T_A = 25^\circ C$	I_R	10							μA
Typical Thermal Resistance(Fig 3)	$R_{\theta JC}$	1.2							$^\circ C / W$
Operating Junction and Storage Temperature Range	T_J, T_{STG}	-50 TO +150							$^\circ C$

NOTES : Device mounted on 100mm *100mm * 1.6mm Cu Plate Heatsink.

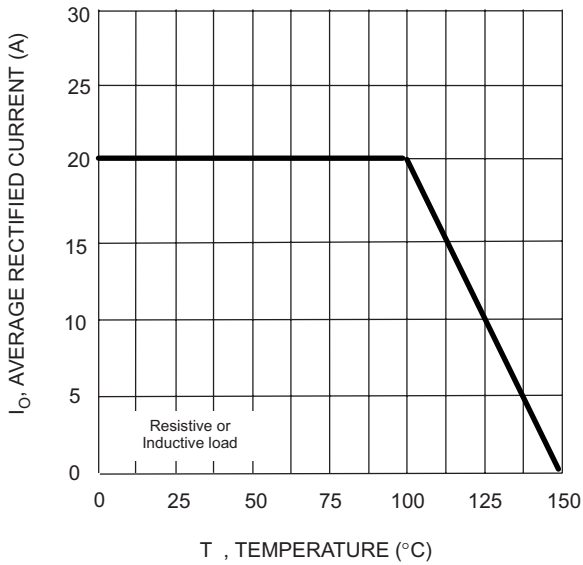


Fig. 1 Forward Current Derating Curve

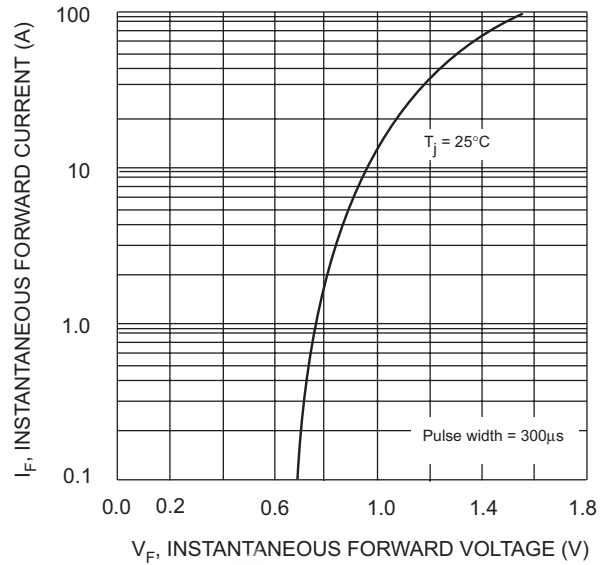


Fig. 2 Typical Fwd Characteristics, per element

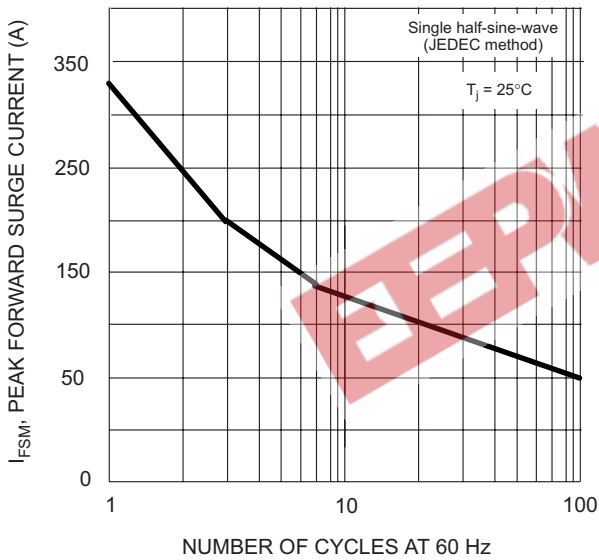


Fig. 3 Maximum Non-Repetitive Surge Current

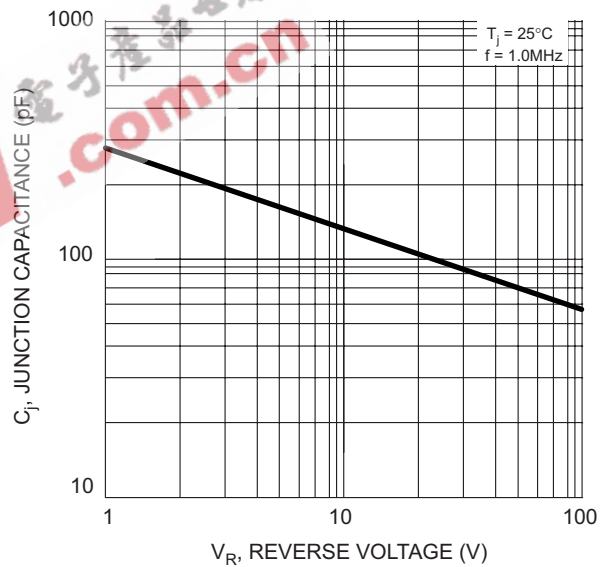


Fig. 4 Typical Junction Capacitance