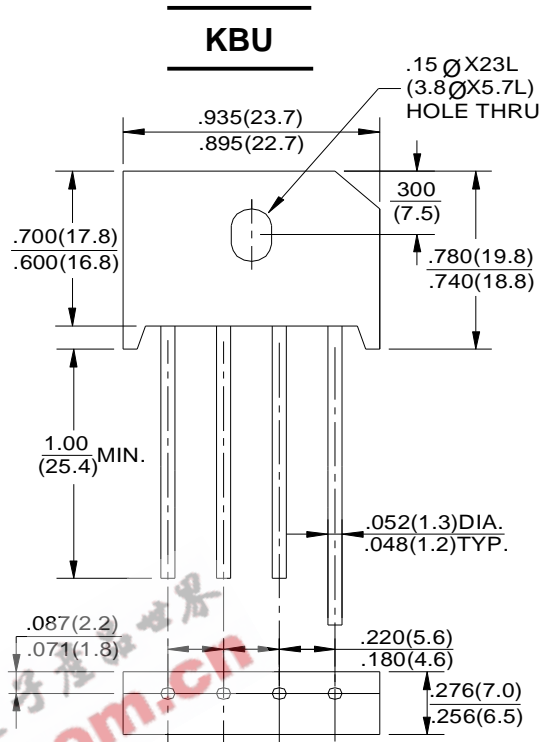


GLASS PASSIVATED BRIDGE RECTIFIERS

REVERSE VOLTAGE - 50 to 1000Volts
FORWARD CURRENT - 4 / 6 / 8 Amperes

FEATURES

- Surge overload rating -125~175 amperes peak
- Ideal for printed circuit board
- Reliable low cost construction utilizing molded plastic technique
- Plastic material has UL
- Mounting position: Any
- Mounting torque: 5 In.lb. Max



Dimensions in inches and (millimeters)

MAXIMUM RATINGS AND ELECTRICAL CHARACTERISTICS

Rating at 25°C ambient temperature unless otherwise specified.

Single phase, half wave, 60Hz, resistive or inductive load.

For capacitive load, derate current by 20%

CHARACTERISTICS	KBU4005G	KBU401G	KBU402G	KBU404G	KBU406G	KBU408G	KBU410G	UNIT
	KBU6005G	KBU601G	KBU602G	KBU604G	KBU606G	KBU608G	KBU610G	
	KBU8005G	KBU801G	KBU802G	KBU804G	KBU806G	KBU808G	KBU810G	
Maximum Recurrent Peak Reverse Voltage	50	100	200	40	600	800	1000	V
Maximum RMS Voltage	35	70	140	280	420	560	700	V
Maximum DC Blocking Voltage	50	100	200	40	600	800	1000	V
Maximum Average Forward Rectified Output Current at T _C =100°C		4.0		6.0			8.0	A
Rectified Output Current at T _A =50°C/40°C/45°C		4.0		6.0			6.0	A
Peak Forward Surge Current 8.3ms single Half Sine-Wave Super Imposed on Rated Load (JEDEC Method)	KBU4G	125	KBU6G	150		KBU8G	175	A
Maximum Instantaneous Forward Voltage Drop per Element at 4.0A/3.0A/4.0A		1.1		1.1			1.1	mV
Maximum Reverse Leakage at rated DC Blocking Voltage Per Element		10		10			10	μA
		100		200			300	mA
Operating and Storage Temperature Range T _J , T _{STG}	-55 to +150							°C

FIG.1-DERATING CURVE FOR OUTPUT RECTIFIED CURRENT

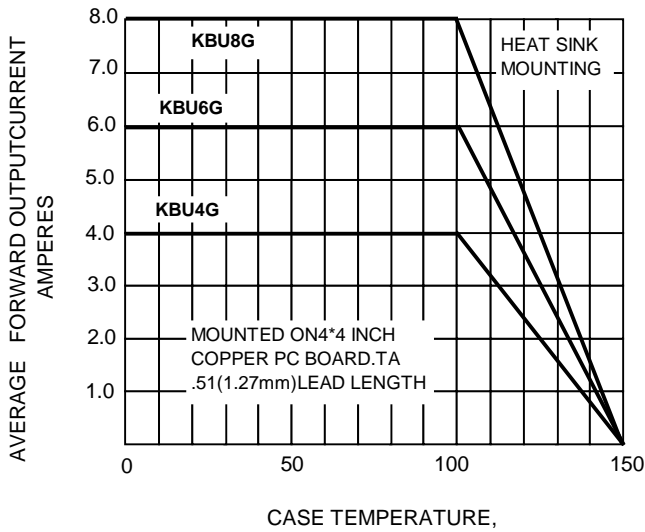


FIG.2 TYPICAL INSTANTANEOUS FORWARD CHARACTERISTIC

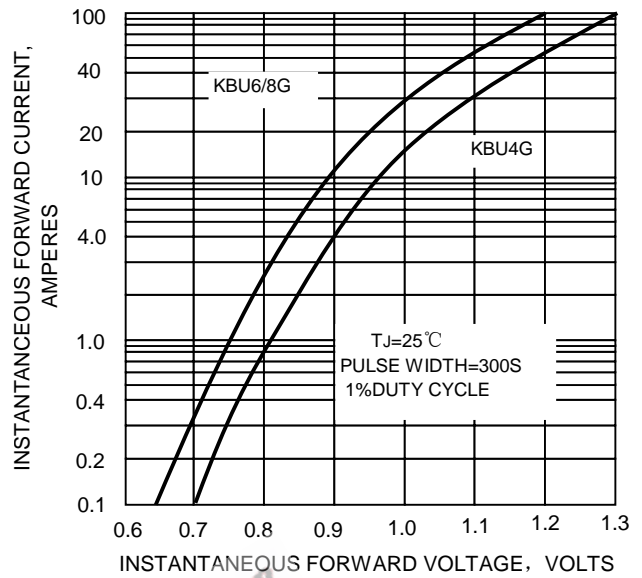


FIG.3-MAXIMUM NON-REPETITIVE PEAK FORWARD SURGE CURRENT

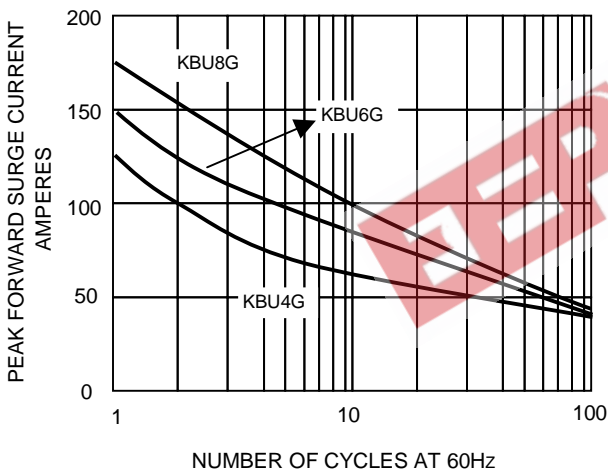


FIG.4-TYPICAL REVERSE CHARACTERISTICS

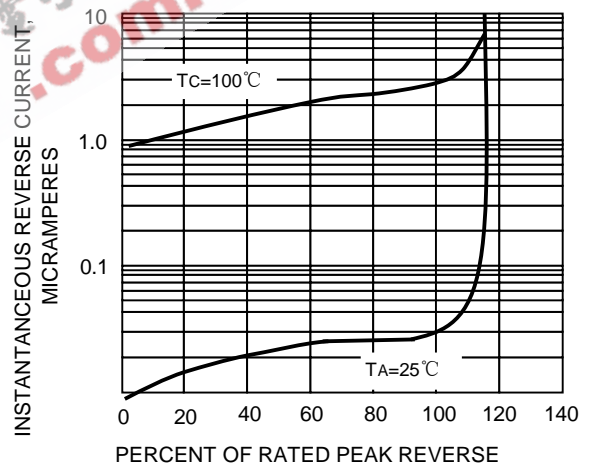


FIG.5-TYPICAL JUNCTION CAPACITANCE PER ELEMENT

