



DC COMPONENTS CO., LTD.
RECTIFIER SPECIALISTS

KBU6A / RS601
THRU
KBU6M / RS607

TECHNICAL SPECIFICATIONS OF SINGLE-PHASE SILICON BRIDGE RECTIFIER
VOLTAGE RANGE - 50 to 1000 Volts CURRENT - 6.0 Amperes

FEATURES

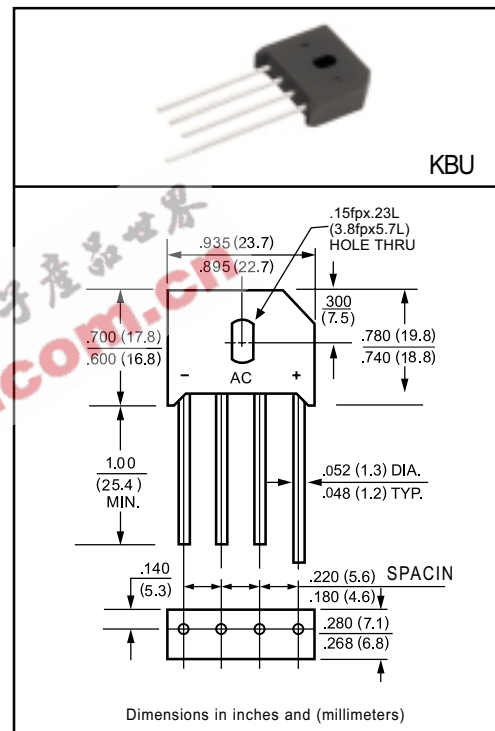
- * Low leakage
- * Low forward voltage
- * Surge overload rating: 250 Amperes peak
- * Molded structure

MECHANICAL DATA

- * Case: Molded plastic
- * Epoxy: UL 94V-0 rate flame retardant
- * Lead: MIL-STD-202E, Method 208 guaranteed
- * Polarity: Symbols molded or marked on body
- * Mounting position: Any
- * Weight: 4.8 grams

MAXIMUM RATINGS AND ELECTRICAL CHARACTERISTICS

Ratings at 25°C ambient temperature unless otherwise specified.
Single phase, half wave, 60 Hz, resistive or inductive load.
For capacitive load, derate current by 20%.



| | SYMBOL | KBU6A | KBU6B | KBU6D | KBU6G | KBU6J | KBU6K | KBU6M | UNITS | |
|------------------------------------------------------------------------------------|----------------------------------|-------|-------|-------|-------|--------------|-------|-------|-------|--------------------|
| Maximum Recurrent Peak Reverse Voltage | V _{RRM} | 50 | 100 | 200 | 400 | 600 | 800 | 1000 | Volts | |
| Maximum RMS Bridge Input Voltage | V _{RMS} | 35 | 70 | 140 | 280 | 420 | 560 | 700 | Volts | |
| Maximum DC Blocking Voltage | V _{DC} | 50 | 100 | 200 | 400 | 600 | 800 | 1000 | Volts | |
| Maximum Average Forward Rectified Output Current at T _c = 75°C | I _o | | | | | 6.0 | | | | Amps |
| Peak Forward Surge Current 8.3 ms single half sine-wave superimposed on rated load | I _{FSM} | | | | | 250 | | | | Amps |
| Maximum Forward Voltage Drop per element at 3.0A DC | V _F | | | | | 1.0 | | | | Volts |
| Maximum DC Reverse Current at Rated DC Blocking Voltage per element | I _r | | | | | 10 | | | | uAmps |
| | | | | | | 500 | | | | |
| I ² t Rating for Fusing (t<8.3ms) | I ² t | | | | | 127 | | | | A ² Sec |
| Typical Junction Capacitance (Note1) | C _J | | | | | 186 | | | | pF |
| Typical Thermal Resistance (Note 2) | R _{θJA} | | | | | 10 | | | | °C/W |
| Operating and Storage Temperature Range | T _J ,T _{STG} | | | | | -55 to + 150 | | | | °C |

NOTES : 1. Measured at 1 MHz and applied reverse voltage of 4.0 volts

2. Thermal Resistance from Junction to Ambient and from junction to leadmounted on P.C.B. with 0.47 x 0.47" (12x12mm) copper pads.

RATING AND CHARACTERISTIC CURVES

(KBU6A THRU KBU6M)
 RS601 THRU RS607

FIG. 1 - MAXIMUM NON-REPETITIVE FORWARD SURGE CURRENT

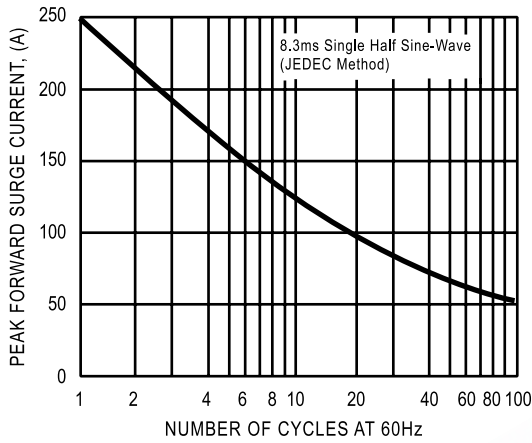


FIG. 2 - TYPICAL FORWARD CURRENT DERATING CURVE

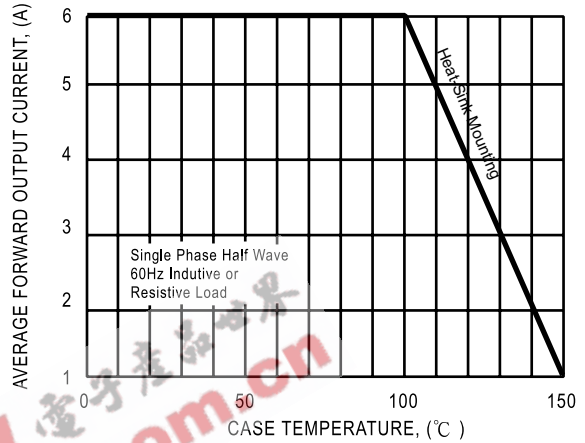


FIG. 3- TYPICAL INSTANTANEOUS FORWARD CHARACTERISTICS

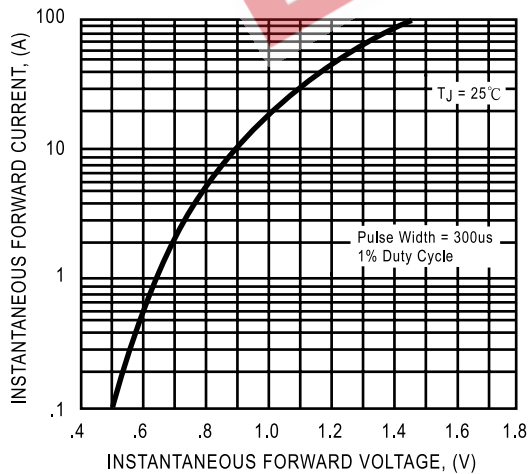


FIG. 4 - TYPICAL REVERSE CHARACTERISTICS

