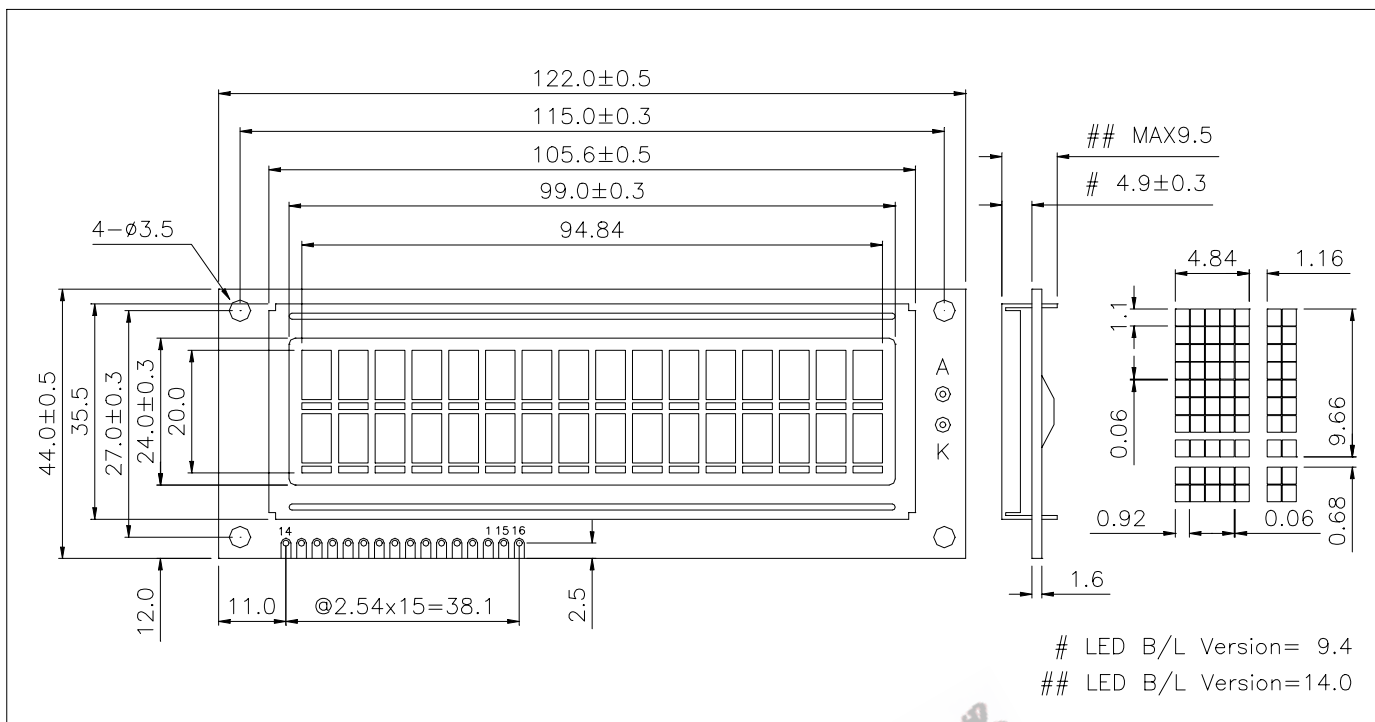


# LC1622

16 characters x 2 lines



## ABSOLUTE MAXIMUM RATINGS

Item	Symbol	Min.	Max.	Unit
Supply Voltage (Logic)	$V_{DD} - V_{SS}$	-0.3	7.0	V
Supply Voltage (LCD)	$V_{DD} - V_o$	-0.3	13.0	V
Input Voltage	$V_i$	-0.3	$V_{DD} + 0.3$	V
Operating Temp.	$T_{opr}$	-20	70	$^{\circ}C$
Storage Temp.	$T_{stg}$	-30	80	$^{\circ}C$

## MECHANICAL DATA

Item	Nominal Dimensions	Unit
Module Size (W x H x T)	122.0 x 44.0 x 9.5	mm
Viewing Area (W x H)	99.0 x 24.0	mm
Character Size (W x H)	4.84 x 9.66	mm
Dot Size (W x H)	0.92 x 1.1	mm
Weight		g

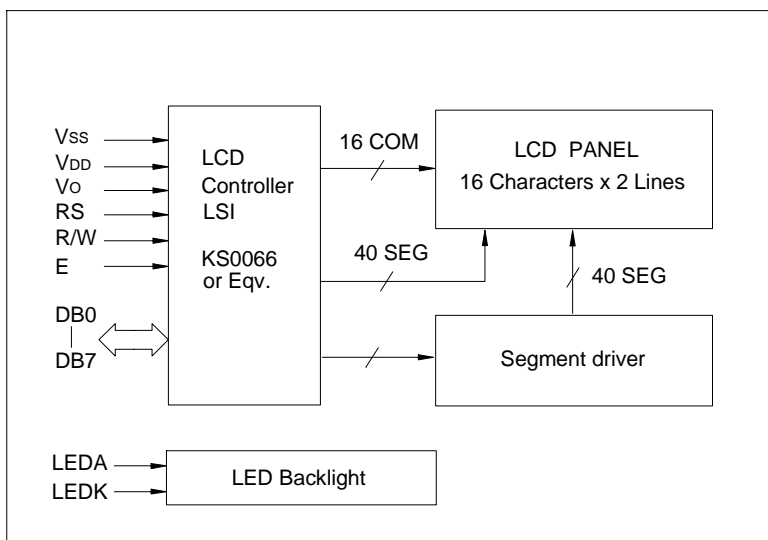
## ELECTRICAL CHARACTERISTICS ( $V_{DD} = 5V \pm 0.25V$ )

Item	Symbol	Test Condition	Min.	Typ.	Max.	Unit
Input High Voltage	$V_{IH}$	--	2.2	--	$V_{DD}$	V
Input Low Voltage	$V_{IL}$	--	-0.3	--	0.6	V
Output High Voltage	$V_{OH}$	$I_{OH} = -0.2mA$	2.4	--	$V_{DD}$	V
Output Low Voltage	$V_{OL}$	$I_{OL} = 1.2mA$	0	--	0.4	V
Supply Current	$I_{DD}$	$V_{DD} = 5.0V$	--	1.5	3.0	mA
LCD Driving Voltage	$V_{DD} - V_o$	$T_a = 25^{\circ}C$	--	4.6	--	V

## PIN CONNECTIONS

Pin	Symbol	Level	Function
1	$V_{SS}$	--	GND ( 0V )
2	$V_{DD}$	--	Supply Voltage for Logic(+5V)
3	$V_o$	--	LCD Driving Voltage
4	RS	H/L	H : Data L : Instruction Code
5	R/W	H/L	H : Read L : Write
6	E	H, H>L	Enable Signal
7	DB0	H/L	Data Bus Line
8	DB1	H/L	
9	DB2	H/L	
10	DB3	H/L	
11	DB4	H/L	
12	DB5	H/L	
13	DB6	H/L	
14	DB7	H/L	
15	LEDA	--	LED Backlight Power Supply
16	LEDK	--	

## BLOCK DIAGRAM



## LED BACKLIGHT SPECIFICATIONS ( $T_a = 25^{\circ}C$ )

Item	Symbol	Typ.	Max.	Unit
Forward Voltage	$V_f$	4.05	4.25	V
Forward Current	$I_f$	240	--	mA
Emission Wave Length	$\lambda_p$	568	--	nm