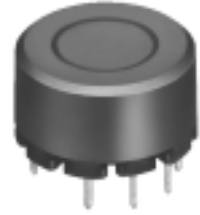


Type: LC128B

◆ **Product Description**

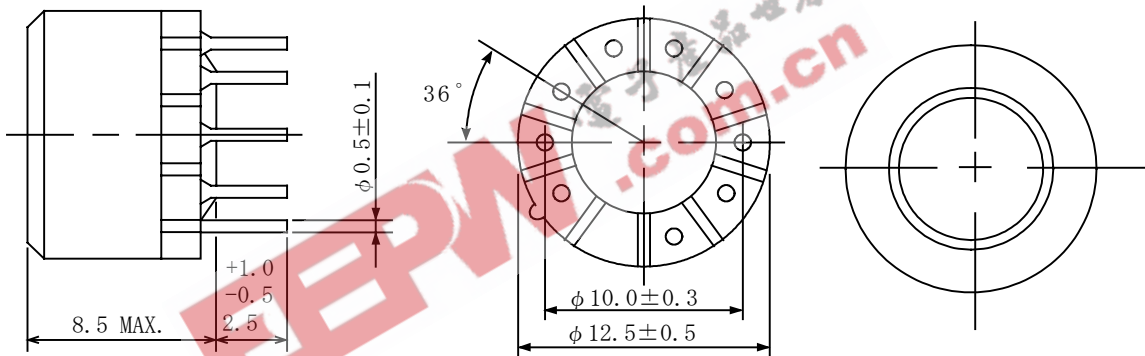
- ϕ 13.0mm Max.(L×W), 8.5mm Max. Height.
- In addition to the typical versions of parameters shown here, custom designs are available to meet your exact requirements.



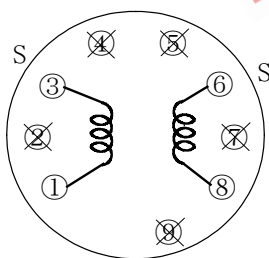
◆ **Feature**

- Magnetically shielded construction.
- Max. Operating frequency 500kHz,
Max. Operating Power 2.9W (500kHz), 1.9W(300kHz), 0.8W(100kHz).
- Ideally used in Portable equipment, Drive for fluorescent display tube.
- RoHS Compliance

◆ **Dimensions (mm)**



◆ **Schematics (Bottom)**



"S" is winding start

◆ **Specification**

Sample No.	Inductance (7-9) 1kHz/1V	Hi-pot (1,3 - 6,8) (50/60Hz)	Hi-pot (1,3,6,8- Core) (50/60Hz)
0350 - T048	5.2mH \pm 30%	AC 1000Vrms/1min.	AC 1000Vrms/1min.