

63E D ■ 7997076 0011267 437 ■ TSAJ

**LC7860KA,  
7863KA**

SANYO SEMICONDUCTOR CORP



3044B

CMOS LSI

## Digital Signal Processor for Compact Disc Players

©3158A

### Overview

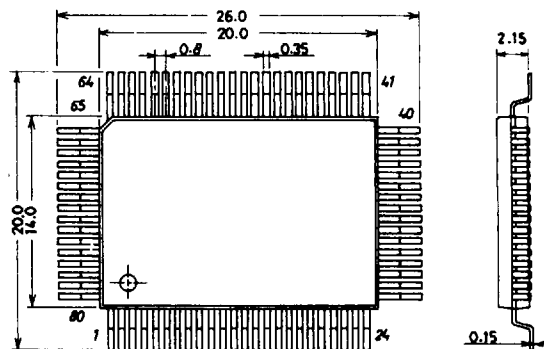
The Sanyo LC7860KA and LC7863KA CMOS Digital Signal Processing LSIs provide servo control and signal processing for the digital audio sections of compact disk and laser disk players. Available in surface-mount 80-pin plastic flat package, the LC7860KA and LC7863KA integrate several Compact Disk player functions into a single chip for reduced system costs. Both devices perform several signal processing functions, including demodulation of the EFM signal from the optical pickup, de-interleave, detection and correction of error signals, and digital filtering for sound quality improvement. In addition, they can process control commands from a microprocessor for the servo system. Both the LC7860KA and LC7863KA can be direct interfaced to the Sanyo LC7880 Serial I/O Digital-to Analog Converter LSI. The difference between LC7860KA and LC7863KA lies in the conditions for reading subcode Q as well as track jumping and the LRCLK timing. For further details, see Notes 1 and 2 (page 9, 10).

### Functions

- When an HF signal is input, it is sliced at the proper level and converted to an EFM signal. Phase comparison with VCO is carried out and a 4.3218MHz (average) phase-locked loop playback clock signal is generated.
- A 4.3218MHz standard clock and necessary internal timing can be generated by connecting an external crystal oscillator.
- Disk motor rotation speed is controlled by the frame phase differential signal generated using the playback and standard clocks.
- Detection, protection, and interpolation of the frame sync signal ensures stable data reading.
- The EFM signal is demodulated and converted to 8-bit symbol data.
- Subcodes are separated from the EFM modulation signal and output to an external microprocessor.
- The subcode Q signal is output to the microprocessor using serial I/O after cyclical redundancy checking. (SLB first out order can be selected.)
- Using external RAM, the EFM modulated signal is buffered to absorb jitter (up to  $\pm 4$  frames) caused by fluctuations in the disk rotation speed.

Continued on next page.

Case Outline 3044B  
(unit : mm)



SANYO: QIP80A

LC7860KA, 7863KA

Continued from preceding page.

SANYO SEMICONDUCTOR CORP.

- Unscrambling and de-interleaving is performed by arranging EFM demodulated signal in required order.
- Detection, correction and flag processing for error signals using C1, two-level C2, two-level correction method.
- C2 flag is set by reference to C1 flag and C2 ccheck results, and signal interpolation and previous value hold is performed by C2 flag.
- DAC signal with improved output data continuity is obtained by over-sampling (2×) and digital filtering.
- Functions such as track jump, focus start, disk motor start/stop and muting ON/OFF can be performed using commands from a microprocessor (8-bit serial input).

Features

- Compact surface-mount 80-pin plastic flat pack
- Low-power silicon-gate CMOS technology
- Single +5V power supply
- Easily calibrated using DEMO pin

Absolute Maximum Ratings at Ta = 25°C, VSS = 0V

		unit
Maximum Supply Voltage	VDD max	VSS - 0.3 to 7 V
Input Voltage	VIN	VSS - 0.3 to VDD + 0.3 V
Output Voltage	VOUT	VSS - 0.3 to VDD + 0.3 V
Allowable Power Dissipation	Pd max	300 mW
Operating Temperature	Topg	-30 to +75 °C
Storage Temperature	Tstg	-40 to +125 °C

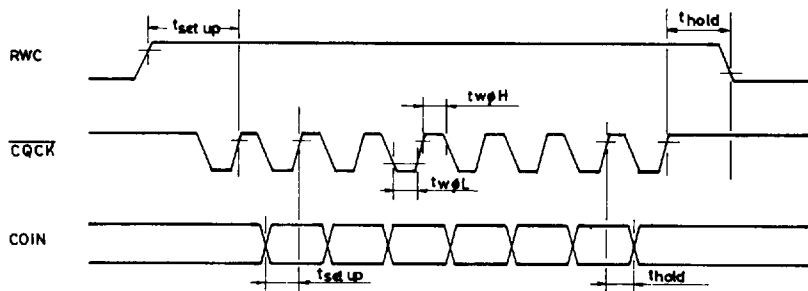
Allowable Operating Conditions at Ta = 25°C, VSS = 0V

		min	typ	max	unit
Supply Voltage	VDD	VDD	4.5	5.5	V
Input 'H'-Level Voltage	VIH(1)	(TEST1 to 5)AI, FZD, HFL, DEMO, IOFF, DFOFF, DSPOFF, M/L, MSBF, RES	0.7VDD	VDD	V
	VIH(2)	DFIN, DB0 to 7, SBCK, RWC, COIN, CQCK	2.2	VDD	V
	VIH(3)	EFMIN	0.6VDD	VDD	V
	VIH(4)	TES	0.8VDD	VDD	V
Input 'L'-Level Voltage	VIL(1)	(TEST1 to 5)AI, FZD, HFL, DEMO, IOFF, DFOFF, DSPOFF, M/L, MSBF, RES	VSS	0.3VDD	V
	VIL(2)	DFIN, DB0 to 7, SBCK, RWC, COIN, CQCK	VSS	0.8	V
	VIL(3)	EFMIN	VSS	0.4VDD	V
	VIL(4)	TES	VSS	0.2VDD	V
Data Setup Time	tset up	COIN, RWC, Fig.1	400		ns
Data Hold Time	t hold	RWC, Fig.1	400		ns
'H'-Level Clock Pulse Width	t w φH	SBCK, CQCK, RWC, Figs.1,2,3	400		ns
'L'-Level Clock Pulse Width	t w φL	CQCK, SBCK, Figs.1,2,3	400		ns
Data Read Access Time	tRAC	Figs.2,3	0	400	ns
Subcode Q Signal	tSQE	Fig.2, without RWC signal		11.2	ms
Read Enable Time					
Subcode Read Cycle	tSC	Fig.3		136	μs
Subcode Read Enable	tSE	Fig.3	400		ns
Reset Pulse Width	tWRES	RES	400		ns
X'tal OSC Frequency	f x'tal	XIN, XOUT		8.6436	MHz
Operating Frequency Range	fop (1)	AI	2.0	8.6436	10 MHz
	fop (2)	EFMIN, VIN ≥ 1Vp-p			10 MHz

LC7860KA, 7863KA

Electrical Characteristics at Ta = 25°C, VSS = 0V, VDD = 5V		min	typ	max	unit
Current Dissipation	$I_{DD}$		15	30	mA
Input 'H'-Level Current	$I_{IH}(1)$			5	$\mu A$
	$I_{IH}(2)$	20		75	$\mu A$
Input 'L'-Level Current	$I_{IL}(1)$	-5			$\mu A$
	$I_{IL}(2)$				$\mu A$
Output 'H'-Level Voltage	$V_{OH}(1)$	$V_{DD} - 1$			V
	$V_{OH}(2)$	$V_{DD} - 1$			V
Output 'L'-Level Voltage	$V_{OL}(1)$			1	V
	$V_{OL}(2)$			0.4	V
	$V_{OL}(3)$			0.75	V
Output OFF-Leak Current	$I_{OFF}(1)$			5	$\mu A$
	$I_{OFF}(2)$	-5			$\mu A$
Write Cycle Time	$t_{WC}$		462.8		ns
Read Cycle Time	$t_{RC}$		462.8		ns
Address Setup Time	$t_{AS}$	80		150	ns
Write Pulse Width	$t_{WP}$		231.4		ns
Read Pulse Width	$t_{RP}$		347.1		ns
Address Access Time	$t_{AA}$	80		170	ns
Output Hold Time	$t_{OH}$	-10		80	ns
Read/Write Setup Time	$t_{WS}$	0		20	ns

Fig.1 Command Input



LC7860KA, 7863KA

SANYO SEMICONDUCTOR CORP

Fig.2 Subcode Q Output

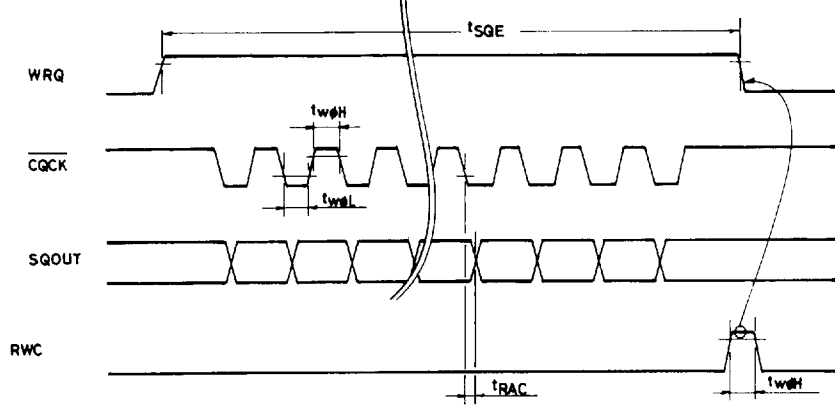


Fig.3 Subcode Output

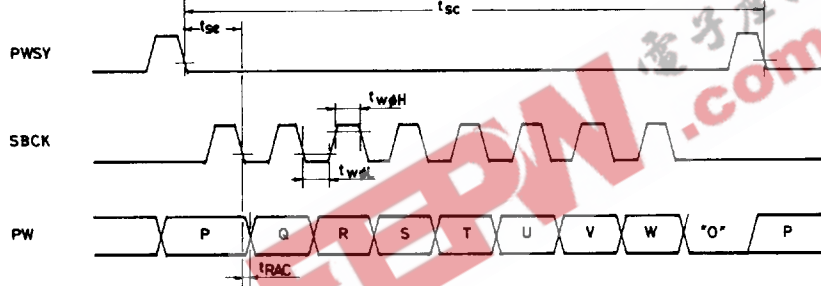
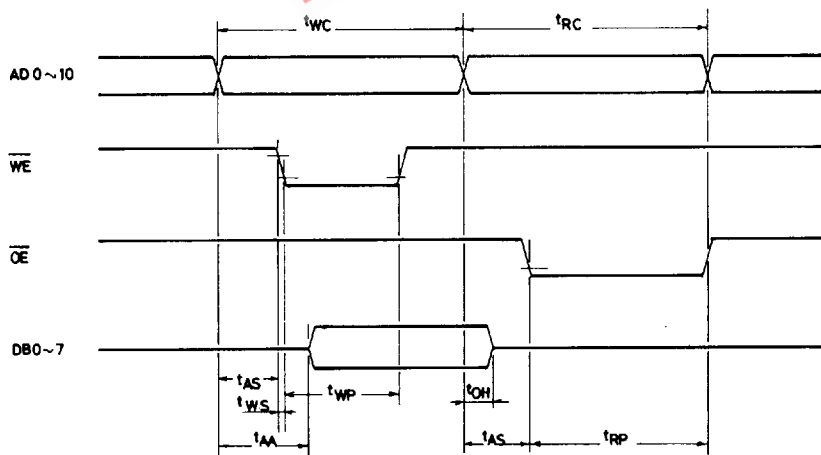


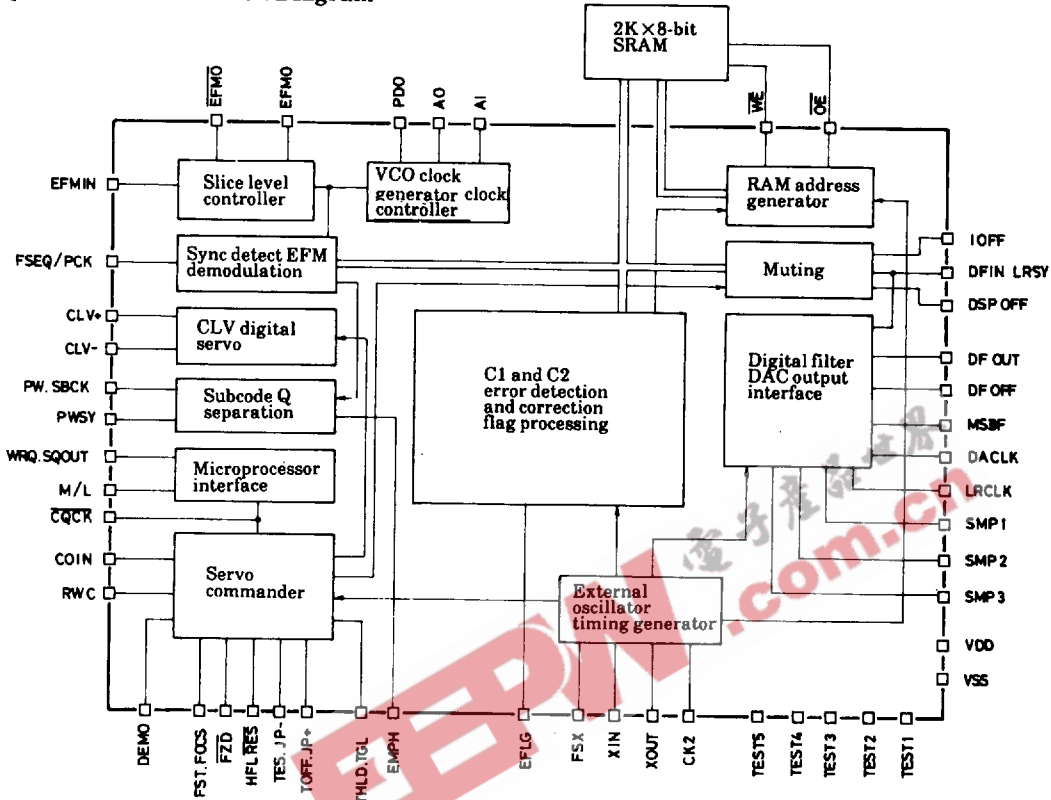
Fig.4 RAM Access



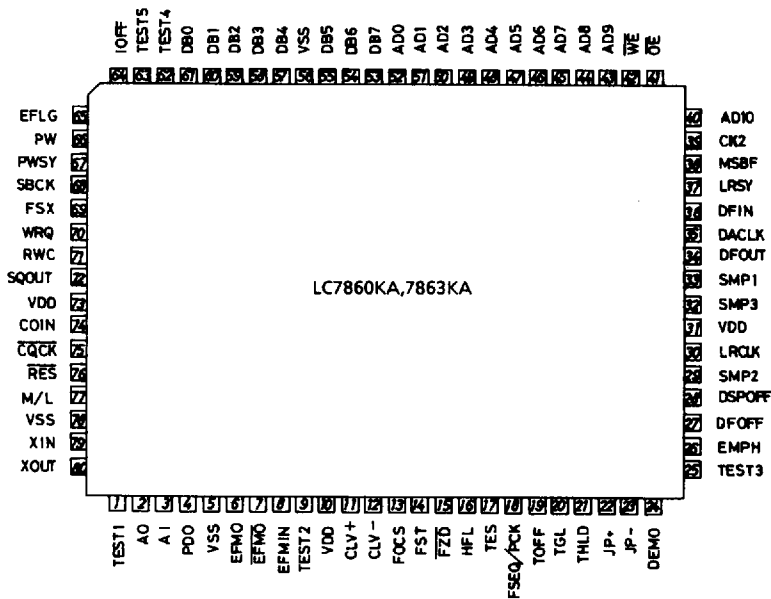
63E D ■ 7997076 0011271 968 ■ TSAJ

SANYO SEMICONDUCTOR CORP  
LC7860KA, 7863KA

Equivalent Circuit Block Diagram



Pin Assignment



63E D ■ 7997076 0011272 8T4 ■ TSAJ

SANYO SEMICONDUCTOR CORP  
LC7860KA, 7863KA

Pin Description

Pin No.	Pin Name	I/O	Functions	
1	TEST1	I -	Test pin. Normally not connected.	
2	AO	O -	VCO is generated by connecting resonance circuit between AI and AO. (8.6436MHz) is phase output with EFM signal, and is set to increase frequency when +.	
3	AI	I -		
4	PDO	O -		
5	V <sub>SS</sub>	- -	GND	
6	EFMO	O -	1 to 2V <sub>pp</sub> HF signal is input to EFMIN. Output from EFMO and BFMO passes through amplitude limiter and reverse phase EFM signal is obtained from both. This performs slice level control.	
7	EFMO	O -		
8	EFMIN	I -		
9	TEST2	I -	Test pin: Normally not connected.	
10	V <sub>DD</sub>	- -	+5V	
11	CLV+	O -	Disk motor control output	
12	CLV-	O -		
13	FOCS	O -	Focus servo is off when FOCS is HIGH. The lens is lowered by FST and then FST is HIGH, the lens is gradually pulled up. FOCS is reset when FZD is generated. For focus-in.	
14	FST	O -		
15	FZD	I -		
16	HFL	I *1	*1 Kick pulses, JP+ and JP-, are generated according to track jump command. A jump of the prescribed number of tracks is (1,4,16,64). *2 When 4.3218MHz PCK monitor terminal/DEMO is HIGH both SYNC detected from EFM signal and SYNC of counter are the same at HIGH.	
17	TES	I *1		
18	FSEQ/PCK	O *2		
19	TOFF	O *1		
20	TGL	O *1		
21	THLD	O *1		
22	JP+	O *1		
23	JP-	O *1		
24	DEMO	I -	Set and sound output adjustment pin function.	
25	TEST3	I -	Test pin. Normally not connected.	
26	EMPH	O -	De-emphasis is necessary when HIGH.	
27	DFOFF	I -	ON/OFF switch for digital filter. No filtering when HIGH.	
28	DSPOFF	I -	Test pin. Normally not connected.	
29	SMP2	O *3	*3 Signal output to DAC and signal for L/R switching and sample hold. *4 +5V *5 Signal output for CD ROM *6 CD ROM sync signal	
30	LRCLK	O *3		
31	V <sub>DD</sub>	- *4		
32	SMP3	O *3		
33	SMP1	O *3		
34	DFOUT	O *3		
35	DACLK	O *3		
36	DFIN	I/O *5		
37	LRSY	O *6		
38	MSBF	I *3		
39	CK2	O -		2.1609MHz
40	AD10	O *7		*7 RAM address output *8 Output state when WE = L and input state when WE = H. OE is for input/output control.
41	OE	O *8		
42	WE	O *8		
43	AD9	O *7		
44	AD8	O *7		
45	AD7	O *7		
46	AD6	O *7		
47	AD5	O *7		
48	AD4	O *7		
49	AD3	O *7		
50	AD2	O *7		
51	AD1	O *7		
52	AD0	O *7		

LC7860KA, 7863KA

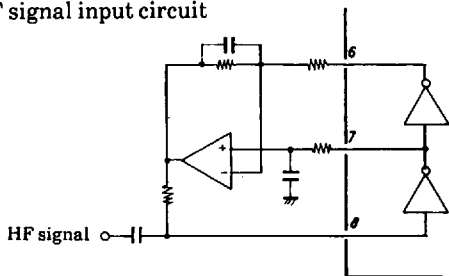
SANYO SEMICONDUCTOR CORP

Pin No.	Pin Name	I/O	Functions
53	DB7	I/O	*9 DB7 to DB0 : connected to RAM data pins.
54	DB6	I/O	*9 *10 GND
55	DB5	I/O	*9
56	V <sub>SS</sub>	-	*10
57	DB4	I/O	*9
58	DB3	I/O	*9
59	DB2	I/O	*9
60	DB1	I/O	*9
61	DB0	I/O	*9
62	TEST4	I	-
63	TEST5	I	-
64	IOFF	I	-
65	EFLG	O	-
66	PW	O	-
67	PWSY	O	-
68	SBCK	I	-
69	FSX	O	-
70	WRQ	O	*11
71	RWC	I	*11
72	SQOUT	O	*11
73	V <sub>DD</sub>	-	*11
74	COIN	I	*11
75	CQCK	I	*11
76	RES	I	*12
77	M/L	I	*11
78	V <sub>SS</sub>	-	-
79	X <sub>IN</sub>	I	-
80	X <sub>OUT</sub>	O	-

Pin Applications

8 EFMIN, 7 EFMO, 6 EFMO

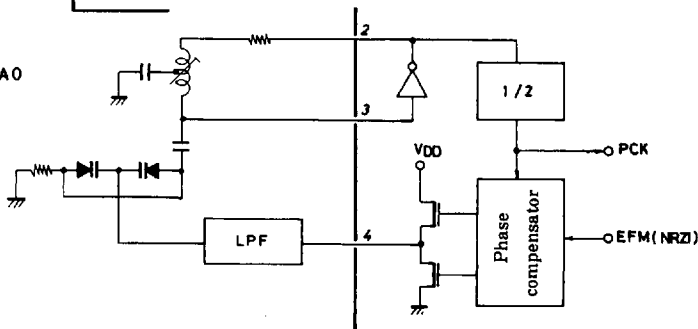
1) HF signal input circuit



A sliced EFM signal (NRZ) at the optimum level can be obtained inputting of the HF signal to EFMIN.

2) PLL clock generator

4 PDO, 3 AI, 2 AO



A VCO is configured by connecting a resonance circuit between AO and AI. As the PDO pin output is deflected to + when the VCO phase is delayed, control voltage is supplied to the variable capacitor by raising the VCO frequency.

LC7860KA, 7863KA

3) Synchronization detection monitor 18 FSEQ/PCK

When 24 DEMO is LOW the average 4.3218MHz PCK signal obtained by dividing the VCO by two is monitored. When DEMO is HIGH, the level will be HIGH when the frame sync of the EFM signal read by PCK is the same as the timing generated by the counter, allowing for synchronization monitoring.

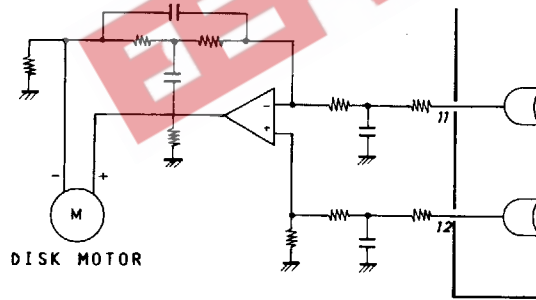
4) CLV servo circuit 11 CLV+, 12 CLV-

CLV+ is a signal for accelerating the disk in the forward direction and CLV- is a deceleration signal. One of the four modes, acceleration, deceleration, CLV, and stop, is selected by a command from the microprocessor. The CLV+ and CLV- output in each of these modes is shown in the table below.

MODE	CLV+	CLV-
Acceleration	H	L
Deceleration	L	H
CLV	※	※
Stop	L	L

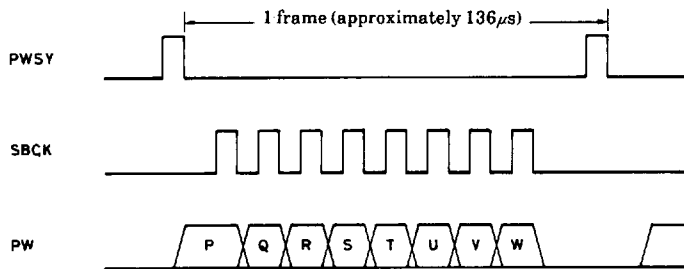
※ : In CLV mode, the disk rotation is detected from the HF signal, the DSP internal mode is changed to, and normal linear linear speed rotation is adopted by control of each signal. The cycle of PWM is 7.35kHz and the 1/64 duty cycle is 1.114s.

Internal Mode	CLV+	CLV-
Rough Servo (judged as low speed rotation)	H	L
Rough Servo (judged as high speed rotation)	L	H
Phase Control (PCK is locked)	PWM	PWM
Low Speed Rotation (when no HF signal)	1/64 Duty	L



5) Output circuit for subcodes P,Q,R to W 67 PWSY, 66 PW, 68 SBCK

PW is the output pin for the subcode signal, and all codes from P to W can be read by sending 8 clock pulses to SBCK within 136µs from the trailing edge of PWSY. The signal emerging at PW is altered by the trailing edge of RCK. When clock pulses are not sent to SBCK, only the P code is output from PW.



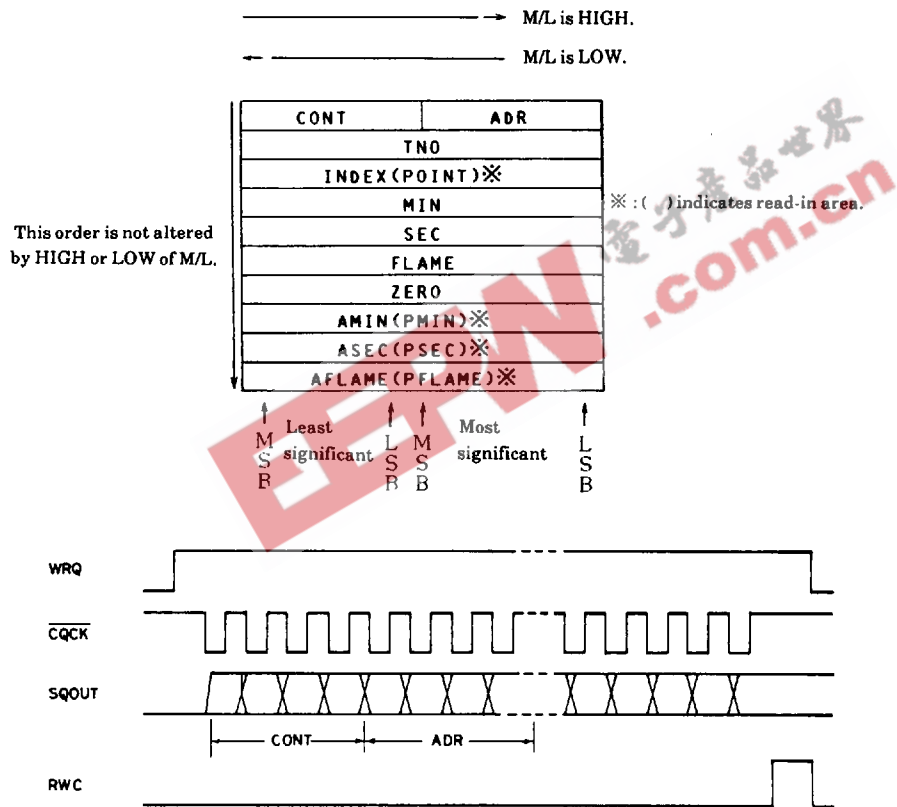
In the subcode, SO, and SI frames, PWSY does not drop to LOW, instead it remains HIGH.



LC7860KA, 7863KA

- 6) Subcode "Q" output circuit 70 WRQ, 71 RWC, 72 SQOUT, 75 CQCK, 77 M/L  
 Of the 8 bits of the subcode, the "Q" signal is useful for accessing selections and indication, etc. WRQ goes HIGH when the CRC check is passed and in addition only when at address 1 (See Note 1 below). The data from SQOUT can be read in the order if the microprocessor detects this HIGH state and sends CQCK. When CQCK output starts, the updating of data in the registers of the DSP is prohibited. When the microprocessor completes reading of the data, RWC is driven once to HIGH and permission to update data is given. At this time, WRQ drops to LOW. As WRQ drops to LOW 11.2ms after going to "H", transmission of CQCK starts while it is "H". The data can be read with in the LSB first out order by setting M/L to LOW.

Note 1 : LC7863KA lacks this address 1 condition.



LC7860KA, 7863KA

7) Servo command functions 71 RWC, 74 COIN, 75 CQCK

Four types of commands (focus start, disk motor, track jump, and mute) can be input by setting RWC to HIGH and sending an 8-bit/1-word command synchronized to CQCK clock from COIN.

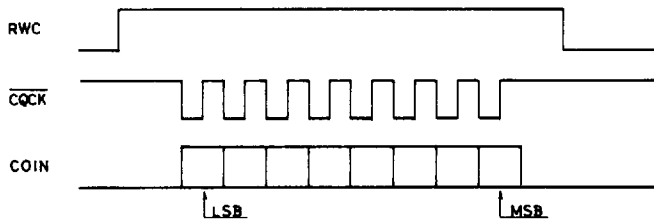
M S B	CODE	L S B	COMMAND			
	00000000					NOTHING
	00010001	1	TRACK	JUMP	IN	#1
	00010010	1	TRACK	JUMP	IN	#2
	00010011	4	TRACK	JUMP	IN	
	00010100	16	TRACK	JUMP	IN	
	00010101 (Note 2)	64	TRACK	JUMP	IN	
	00011001	1	TRACK	JUMP	OUT	#1
	00011010	1	TRACK	JUMP	OUT	#2
	00011011	4	TRACK	JUMP	OUT	
	00011100	16	TRACK	JUMP	OUT	
	00011101 (Note 2)	64	TRACK	JUMP	OUT	
	00010110	256	TRACK	CHECK		
	00000001		MUTE		0dB	
	00000010		MUTE		-12dB	
	00000011		MUTE		-∞dB	
	00000100		DISK MOTOR		START	
	00000101		DISK MOTOR		CLV	
	00000110		DISK MOTOR		BRAKE	
	00000111		DISK MOTOR		STOP	
	00001000		FOCUS		START	

LSB first out

#1 : JP pulse width  $233\mu s + 233\mu s$

#2 : Switching from acceleration pulse to deceleration pulse is made by detecting the intermediate point of the track.

Note 2 : This command is 32 track JUMP in the case of the LC7863KA.

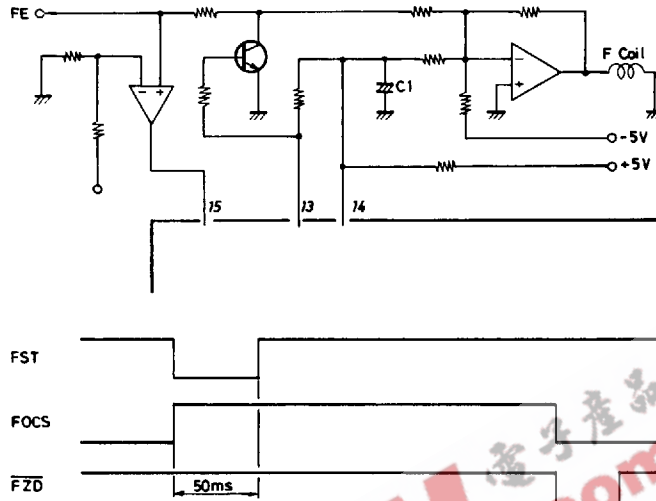


The command is executed from trailing edge of RWC. As mute and disk motor commands are latched to the registers, the command type varies according to the other commands. When reset by  $\overline{RES}$ , mute is  $-\infty dB$  and disk motor is STOP. Although approximately 25ms is needed for execution of the track JUMP command, the next track JUMP command can be given during execution of the previous. The focus START command requires even more time, but other commands cannot be input during execution of this command. Thus when more than one commands are to be input, the mute or disk motor command is input first followed by input of the focus START or track JUMP command.

LC7860KA, 7863KA

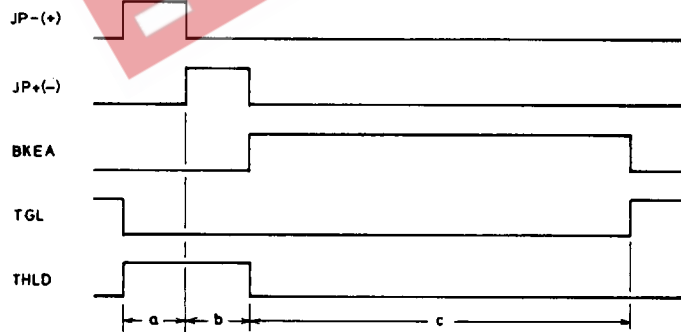
8) Focus servo circuit 13 FOCS, 14 FST, 15 FZD

When the focus START command is input to the servo commander, first the charge of C1 is discharged by FST and the lens is slowly raised. When the focal point is reached, FZD drops and at the same time, FOCS is reset to turn on the servo.



After the command is set, the microprocessor checks DRF, confirms the focus, and proceeds to the next flow. If the focus is not attained though C1 has been charged, the focus START command is sent again and the focus servo operation is repeated.

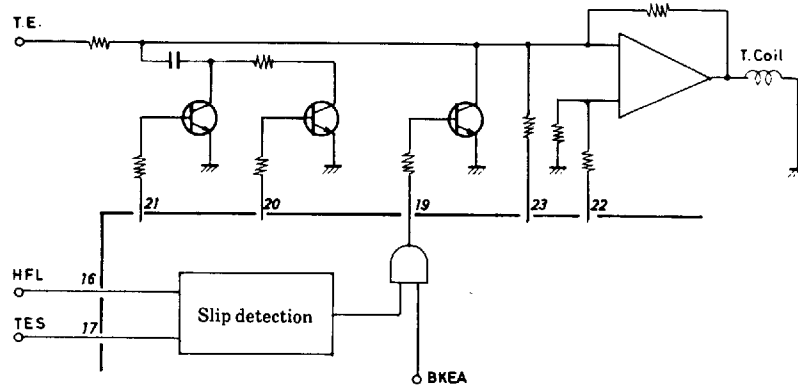
9) Track jump circuit 16 HFL, 17 TES, 19 TOFF, 20 TGL, 21THLD, 22 JP+, 23 JP-



COMMAND	a	b	c
1 TRACK JUMP IN (OUT) #1	233 $\mu$ s	233 $\mu$ s	17ms
1 TRACK JUMP IN (OUT) #2	0.5 TRACK JUMP period	233 $\mu$ s	17ms
4 TRACK JUMP IN (OUT)	2 TRACK JUMP period	466 $\mu$ s	17ms
16 TRACK JUMP IN (OUT)	9 TRACK JUMP period	2 TRACK JUMP period	17ms
64 TRACK JUMP IN (OUT)	36 TRACK JUMP period	28 TRACK JUMP period	17ms
256 TRACK CHECK	When 256 tracks elapse, only THLD goes HIGH.		17ms

When the track JUMP command is input to the servo commander, acceleration pulses are issued followed by deceleration pulses, the braking period elapses, the prescribed jump is completed. The brake period is determined by TSE and HFL. The beam is detected in the slit direction, the section in the TE signal enhancing the slit is cut by TOFF, and the track destination after jumping is determined by raising the servo gain by TGL. The TOFF pin goes HIGH when the CLV servo command is STOP.

LC7860KA, 7863KA

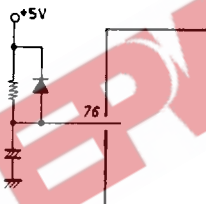


10) Sound output function for adjustment 24 DEMO

Even if no command is sent from the microprocessor, setting this pin to HIGH will set muting to 0dB, the disk motor to CLV, and will perform the focus start operation. In addition, the 18FSEQ /PCK function is switched.

11) Reset circuit 76 RES

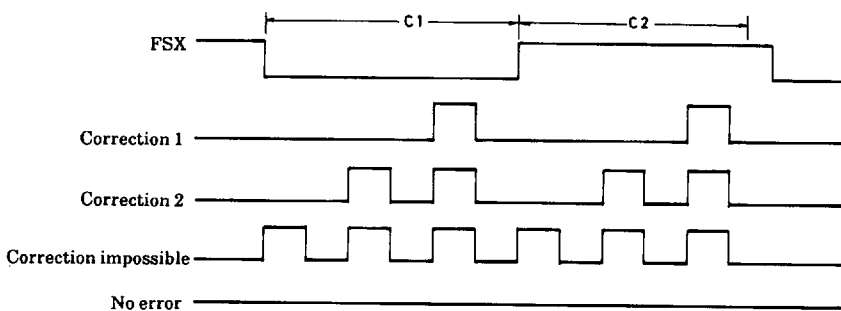
When this power is turned on, this pin goes LOW and then to HIGH muting is set to  $-\infty$  dB and the disk motor to STOP.



12) Deemphasis ON/OFF 26 EMPH

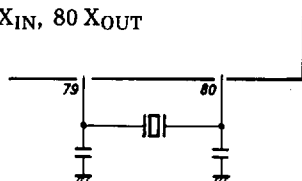
The pre-emphasis ON/OFF bit of the control information of subcode Q is output from the EMPH pin. Deemphasis is performed when the level is HIGH.

13) Error flag output 65 EFLG, 69 FSX



FSX is created by dividing the crystal oscillator clock and is a 7.35kHz frame synchronization signal. The error correction status for each frame is output from EFLG. The HIGH level shown here allows for easy evaluation of the playback status.

14) Crystal clock oscillation 79 X<sub>IN</sub>, 80 X<sub>OUT</sub>



The clock which forms the time base oscillates by connecting a 8.6436MHz crystal oscillator to these pins.

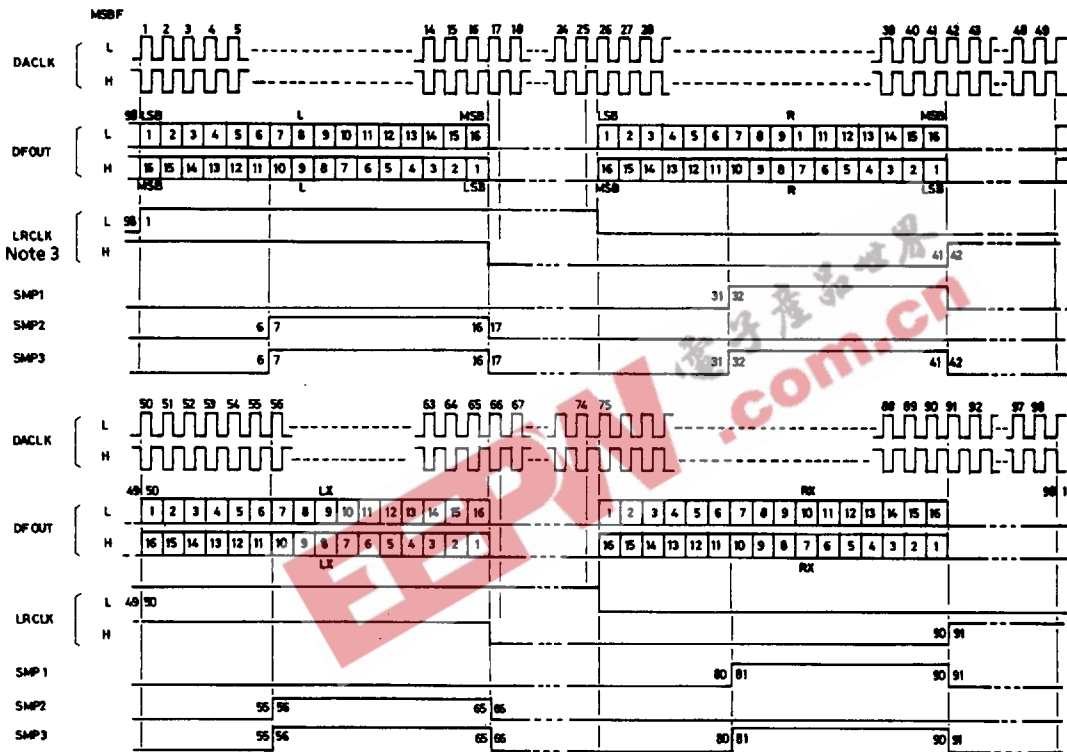
LC7860KA, 7863KA

- 15) DAC interface 27 DFOFF, 29 SMP2, 30 LRCLK, 32 SMP3, 33 SMP1, 34 DFOUT, 35 DACLK, 38 MSBF

When MSBF is LOW, the data for the DAC is output in LSB first out order from DFOUT synchronized with the leading edge of DACLK. When MSBF is HIGH, the data is output in MSB first out order from synchronized with the trailing edge of DACLK.

LC7860KA, 7863KA digital filter output data format (DFOFF = "L")

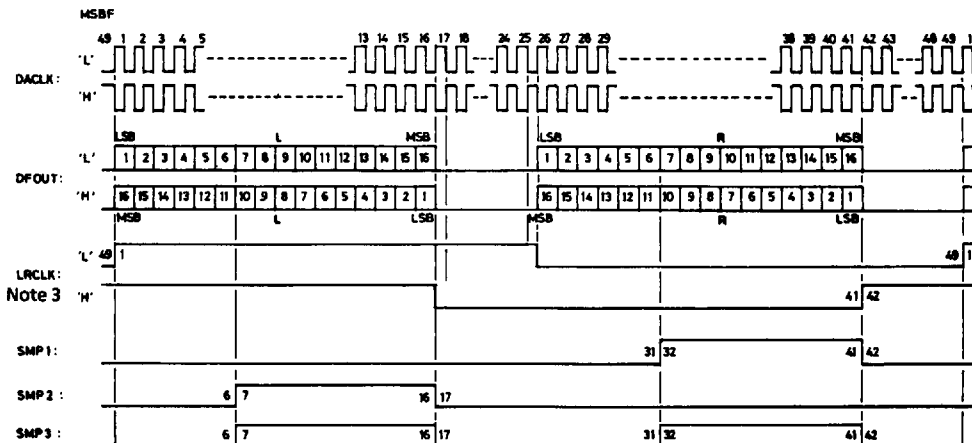
※ The DACLK rate is the same as CK4 (4.3218MHz)



LC7860KA, 7863KA digital filter output data format (DFOFF = "H")

※ In this mode, the input data passes through without changing. The timing signal for DAC and MSB first out mode are effective.

※ The DACLK rate is the same as CK2 (2.1609MHz)

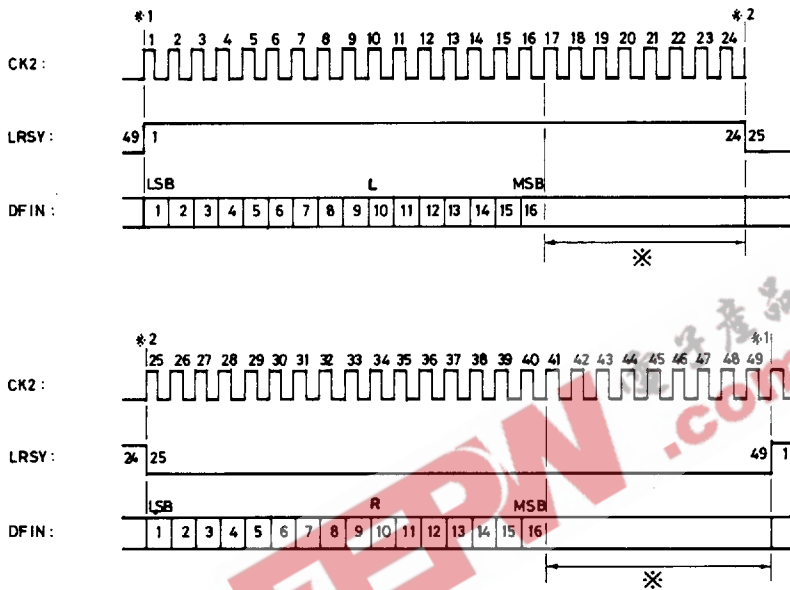


LC7860KA, 7863KA

16) Output for CD ROM 39 CK2, 37 LRSY, 36 DFIN, 28 DSP OFF, 64 IOFF

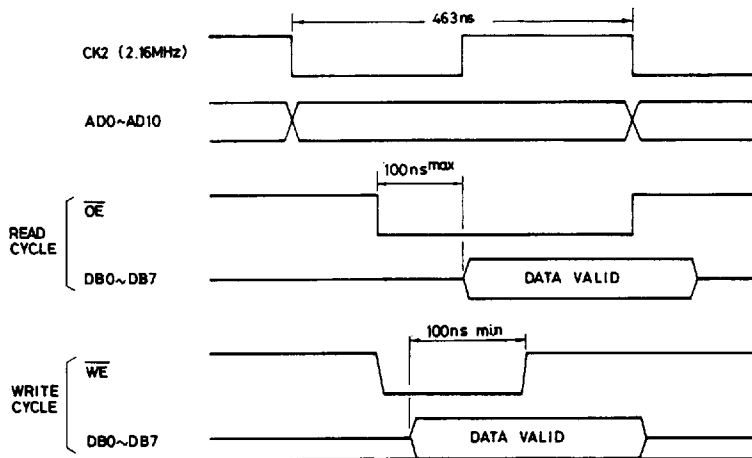
When DSPOFF is LOW, the input signal to the digital filter can be obtained from DFIN. The data is obtained in LSB first out data as the LCH data synchronized to CK2 from the leading edge of LRSY or the RCH data synchronized to CK2 from the leading edge of LRSY. CK2 is a 2.1609MHz clock and when DSPOFF is HIGH, an external signal can be input to the digital filter from DFIN. This function is used primarily for testing the LSI.

LC7860KA, 7863KA digital filter section input data format



※ When DSPOFF = LOW, the DSP signal is output and the period data is the same as MSB. When DSPOFF = HIGH, an external signal is applied and the period data is meaningless (don't care).

17) RAM interface 41  $\overline{OE}$ , 43  $\overline{WE}$ , 40 to 52 AD10 to AD0, 53 to 61 DB7 to DB0



There are the address signals, data signals, and control signals connected to 2K byte RAM.

LC7860KA, 7863KA

Block Operation Description

SANYO SEMICONDUCTOR CORP

1) RAM address control

LC7860KA, 7863KA perform de-interleave processing of EFM demodulated data by address control of 8 bits/2K words of external RAM. The jitter absorption capabilities of the input data is  $\pm 4$  frames as the buffer memory capability. The remaining buffer space is constantly checked and the data write address is controlled to the center of the buffer by fine-tuning the division ratio on the CLV servo circuit PCK side. If the  $\pm 4$  frame buffer capacity is exceeded, the write address is forcibly set to  $\pm 0$ . this means that the errors occurring cannot be processed by flags and muting is applied for a 128 frame period.

Position	Division Ratio or Action
-4 or less	Forcibly moved to $\pm 0$
-3	589
-2	589
-1	589
$\pm 0$	588 Standard division
+1	587
+2	587
+3	587
+4 or greater	Forcibly moved to $\pm 0$

2) C1, C2 correction

The EFM demodulated data is written to the external RAM, jitter absorption is made, and the following processing is made at fixed timing set by the XTAL clock. First, error checking and correction is made for the C1 block, and the C1 flag is determined and written to the C1 flag register. Next, error checking and correction is made for the C2 block, and the C2 flag is determined and written to the external RAM.

C1 Check	Correction and Flag Processing
No Errors	Correction unnecessary Flag reset
1 Error	Correction made Flag reset
2 Errors	Correction made Flag set
3 Errors or more	Correction impossible Flag set

C2 Check	Correction and Flag Processing
No Errors	Correction unnecessary Flag reset
1 Error	Correction made Flag reset
2 Errors	Reference to C1 flag ※1
3 Errors or more	Reference to C1 flag ※2

※1 When the error position determined by C2 check and C1 flag are the same, correction is made and the flag is reset. However when the number of C1 flags is 3 or more, the possibility of improper correction exists and correction is not made. The C1 flag remains as it is and the C2 flag is set. When one of the error positions is the same and the other does not match, correction is not possible. furthermore, when the number of C1 flags is less than 5, the C1 check results are thought to be suspect and the flag is set. 6 or more errors is handled in the same manner as correction impossible; the C1 flag remains as it is and the C2 flag is set. Correction is of course not possible if noe of the error positions match. When the number of C1 flags is less than 2, the data evaluated as OK by the C1 check is probably incorrect and the flag is set. In all other cases, the C1 flag remains as it is and C2 flag is set.

※2 When correction impossible is evaluated with 3 or more errors, correction is of course not possible. Whe the number of C1 flags is less than 2, the data evaluated as OK by the C1 check is probably incorrect and the flag is set. In all other cases, the C1 flag remains as it is and C2 flag is set.

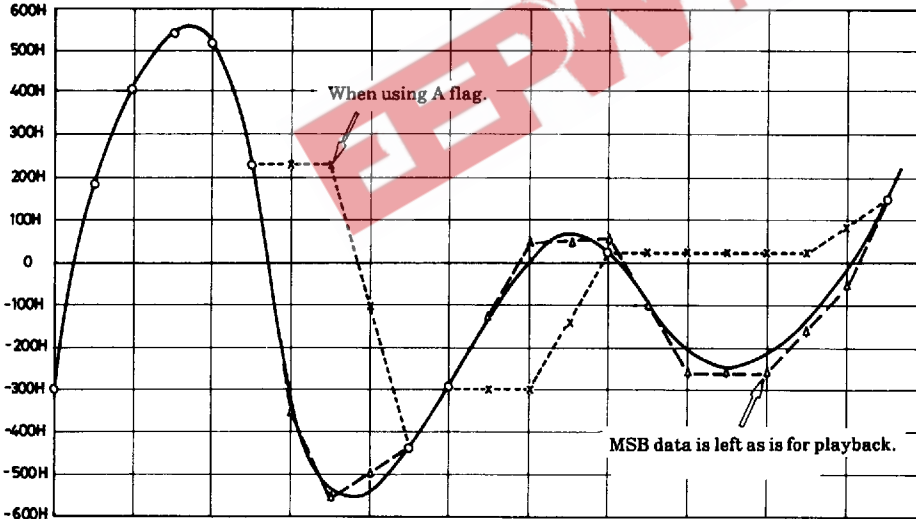
LC7860KA, 7863KA

3) Playback flag determination and interpolation

C2 Flag		Playback Flag
Upper	Lower	
0	0	Reset
0	1	※
1	0	Set
1	1	Set

※ Reset performed if amplitude of previous 8 samples is 200H or greater, set performed if not.

The data up to the C2 block is treated as symbols in 9-bit units with each sample of an upper and lower symbol for a total of 16 bits. Thus, each sample has two C2 flags. Data manipulation such as average value interpolation and previous value hold, etc., can be made by attempting to infer a value as close to the true value as possible from the surrounding samples and substituting this for the error sample. The error in this is low when the signal level is low, but becomes large when the amplitude becomes larger. For a sample in which the upper symbol is no-error and only the lower sample contains an error, adopting a procedure of substituting 80H for the lower symbol will limit the error to 80H, a relatively low level. Thus in this case, the playback flag is reset if the amplitude of the previous 8 samples is 200H or greater. Average value interpolation occurs when there is an error in only one sample and previous value hold occurs when there are consecutive errors in two or more samples.



A	0	0	0	0	0	1	1	1	0	0	1	1	1	0	1	1	1	1	1	0
B	0	0	0	0	0	0	0	1	0	0	1	0	1	0	1	0	1	0	1	0

A : OR obtained from upper and lower C2 flags to obtain playback flag.  
 B : C2 flag of upper symbol used as playback flag (LC7860KA, 7863KA).

4) Muting

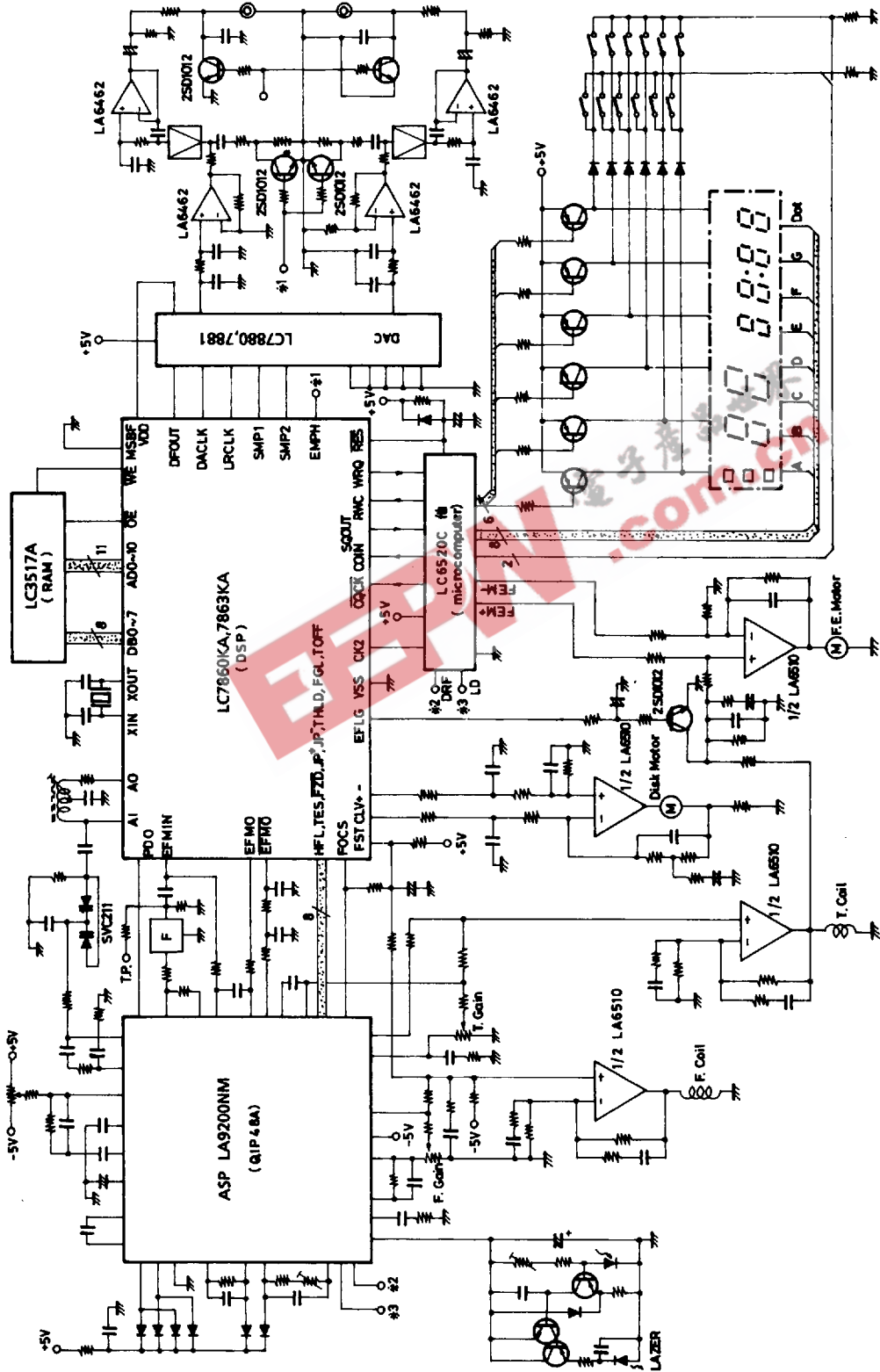
There is -12dB and -∞dB muting. Both limit popping at power ON/OFF and move through 4 steps.

	0	1	2	3
-∞dB	1	3/4	1/4	0
-12dB	1	3/4	2/4	1/4



LC7860KA, 7863KA

Sample Application Circuit



## LC7860KA, 7863KA

**Differences between LC7860N/7863 and LC7860KA/7863KA**

The LC7860N/7863 is basically compatible with the LC7860KA/7863KA in software and pin layout. The differences between them are as follows :

- (1) The LC7860KA/7863KA is an enhanced version of the conventional products in playability. The LC7860KA/7863KA performs the C2, 2 error correction if the number of C1 flags is in the range from 2 to 6 while the LC7860N/7863 is based on the condition that the number of C1 flags is greater than 2.
- (2) The LC7860KA/7863KA uses the same DAC interface signal LRCLK as that of the LC7863.
- (3) "H" level input current  $I_{IH(2)}$  :  $25\mu\text{A}$  min to  $20\mu\text{A}$  min

Enhancements	LC7860N	LC7863	LC7860KA	LC7863KA
C2, 2 error correction conditions	Number of C1 flags : 2	Number of C1 flags : 2	Number of C1 flags : 2 to 6	Number of C1 flags : 2 to 6
Sub code Q register change condition	Address "1"	Unconditionally	Address "1"	Unconditionally
Track jump command 15H	Track count : 64	Track count : 32	Track count : 64	Track count : 32
LRCLK	"H" level period : 24.5DACLK "L" level period : 24.5DACLK	"H" level period : 25DACLK "L" level period : 25DACLK	"H" level period : 25DACLK "L" level period : 25DACLK	"H" level period : 25DACLK "L" level period : 25DACLK
"H" level input current $I_{IH(2)}$	$25\mu\text{A}$ min	$25\mu\text{A}$ min	$20\mu\text{A}$ min	$20\mu\text{A}$ min

SANYO SEMICONDUCTOR CORP