

LM760 High Speed Differential Comparator

General Description

The LM760 is a differential voltage comparator offering considerable speed improvement over the LM710 family and operates from symmetric supplies of $\pm 4.5\text{V}$ to $\pm 6.5\text{V}$. The LM760 can be used in high speed analog-to-digital conversion systems and as a zero crossing detector in disc file and tape amplifiers. The LM760 output features balanced rise and fall times for minimum skew and close matching between the complementary outputs. The outputs are TTL compatible with a minimum sink capability of two gate loads.

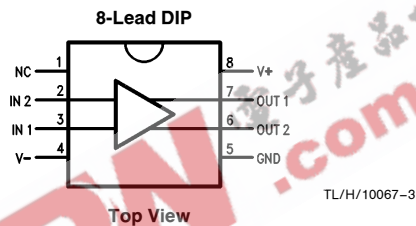
Features

- Guaranteed high speed— 25 ns response time
- Guaranteed delay matching on both outputs
- Complementary TTL compatible outputs
- High sensitivity
- Standard supply voltages

Applications

- High speed A-to-D
- Peak or zero detector

Connection Diagram



Ordering Information

Temperature Range Commercial 0°C to +70°C	Package Type	NSC Package Drawing
LM760CN	8-lead Plastic DIP	N08E

Absolute Maximum Ratings

If Military/Aerospace specified devices are required, please contact the National Semiconductor Sales Office/Distributors for availability and specifications.

Storage Temperature Range		
Metal Can and Ceramic DIP	-65°C to +175°C	
Molded DIP	-65°C to +150°C	
Operating Temperature Range		
Military (LM760)	-55°C to +125°C	
Commercial (LM760C)	0°C to +70°C	
Lead Temperature		
Metal Can and Ceramic DIP		
(Soldering, 60 sec.)	300°C	
Molded DIP (Soldering, 10 sec.)	265°C	

Positive Supply Voltage	+8.0V
Negative Supply Voltage	-8.0V
Peak Output Current	10 mA
Differential Input Voltage	±5.0V
Input Voltage	$V^+ \geq V_I \geq V^-$
ESD Susceptibility	TBD

LM760

Electrical Characteristics

$V_{CC} = \pm 4.5V$ to $\pm 6.5V$, $T_A = -55^\circ C$ to $+125^\circ C$, $T_A = 25^\circ C$ for typical figures, unless otherwise specified

Symbol	Parameter	Conditions	Min	Typ	Max	Units
V_{IO}	Input Offset Voltage	$R_S \leq 200\Omega$		1.0	6.0	mV
I_{IO}	Input Offset Current			0.5	7.5	μA
I_{IB}	Input Bias Current			8.0	60	μA
R_O	Output Resistance (Either Output)	$V_O = V_{OH}$		100		Ω
t_{PD}	Response Time	$T_A = 25^\circ C$ (Note 3)		18	30	ns
		$T_A = 25^\circ C$ (Note 4)			25	
		(Note 5)		16		
Δt_{PD}	Response Time Difference between Outputs (Note 1) (t_{PD} of $+V_{I1}$) - (t_{PD} of $-V_{I2}$)	$T_A = 25^\circ C$			5.0	ns
		$T_A = 25^\circ C$			5.0	
		$T_A = 25^\circ C$			7.5	
		$T_A = 25^\circ C$			7.5	
R_I	Input Resistance	$f = 1.0$ MHz		12		k Ω
C_I	Input Capacitance	$f = 1.0$ MHz		8.0		pF
$\Delta V_{IO}/\Delta T$	Average Temperature Coefficient of Input Offset Voltage	$R_S = 50\Omega$, $T_A = -55^\circ C$ to $+125^\circ C$		3.0		$\mu V/^\circ C$
$\Delta I_{IO}/\Delta T$	Average Temperature Coefficient of Input Offset Current	$T_A = +25^\circ C$ to $+125^\circ C$		2.0		nA/ $^\circ C$
		$T_A = +25^\circ C$ to $-55^\circ C$		7.0		
V_{IR}	Input Voltage Range	$V_{CC} = \pm 6.5V$	±4.0	±4.5		V
V_{IDR}	Differential Input Voltage Range			±5.0		V
V_{OH}	Output Voltage HIGH (Either Output)	0 mA $\leq I_{OH} \leq 5.0$ mA $V_{CC} = +5.0V$	2.4	3.2		V
		$I_{OH} = 80 \mu A$, $V_{CC} = \pm 4.5V$	2.4	3.0		
V_{OL}	Output Voltage LOW (Either Output)	$I_{OL} = 3.2$ mA		0.25	0.4	V
I^+	Positive Supply Current	$V_{CC} = \pm 6.5V$		18	32	mA
I^-	Negative Supply Current	$V_{CC} = \pm 6.5V$		9.0	16	mA

LM760C

Electrical Characteristics

$V_{CC} = \pm 4.5V$ to $\pm 6.5V$, $T_A = 0^\circ C$ to $+70^\circ C$, $T_A = 25^\circ C$ for typical figures, unless otherwise specified

Symbol	Parameter	Conditions	Min	Typ	Max	Units
V_{IO}	Input Offset Voltage	$R_S \leq 200\Omega$		1.0	6.0	mV
I_{IO}	Input Offset Current			0.5	7.5	μA
I_{IB}	Input Bias Current			8.0	60	μA
R_O	Output Resistance (Either Output)	$V_O = V_{OH}$		100		Ω
t_{PD}	Response Time	$T_A = 25^\circ C$ (Note 3)		18	30	ns
		$T_A = 25^\circ C$ (Note 4)			25	
		(Note 5)		16		
Δt_{PD}	Response Time Difference between Outputs (Note 1) (t_{PD} of $+V_{I1}$) - (t_{PD} of $-V_{I2}$)	$T_A = 25^\circ C$			5.0	ns
		$T_A = 25^\circ C$			5.0	
		$T_A = 25^\circ C$			10	
		$T_A = 25^\circ C$			10	
R_I	Input Resistance	$f = 1.0$ MHz		12		k Ω
C_I	Input Capacitance	$f = 1.0$ MHz		8.0		pF
$\Delta V_{IO}/\Delta T$	Average Temperature Coefficient of Input Offset Voltage	$R_S = 50\Omega$, $T_A = 0^\circ C$ to $+70^\circ C$		3.0		$\mu V/^\circ C$
$\Delta I_{IO}/\Delta T$	Average Temperature Coefficient of Input Offset Current	$T_A = +25^\circ C$ to $+70^\circ C$		5.0		nA/ $^\circ C$
		$T_A = +25^\circ C$ to $0^\circ C$		10		
V_{IR}	Input Voltage Range	$V_{CC} = \pm 6.5V$	± 4.0	± 4.5		V
V_{IDR}	Differential Input Voltage Range			± 5.0		V
V_{OH}	Output Voltage HIGH (Either Output)	0 mA $\leq I_{OH} \leq 5.0$ mA $V_{CC} = +5.0V$	2.4	3.2		V
		$I_{OH} = 80$ μA , $V_{CC} = \pm 4.5V$	2.5	3.0		
V_{OL}	Output Voltage LOW (Either Output)	$I_{OL} = 3.2$ mA		0.25	0.4	V
I^+	Positive Supply Current	$V_{CC} = \pm 6.5V$		18	34	mA
I^-	Negative Supply Current	$V_{CC} = \pm 6.5V$		9.0	16	mA

Note 1: $T_{J\ Max} = 150^\circ C$.

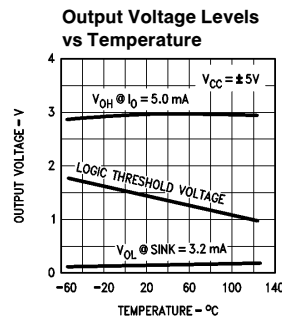
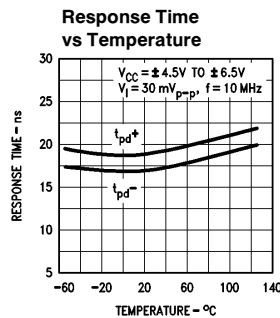
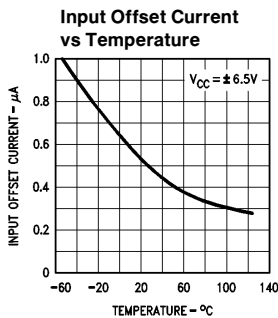
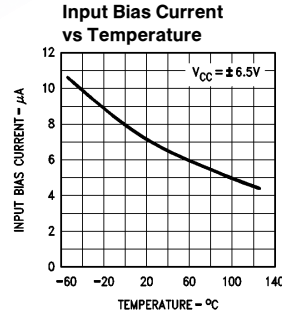
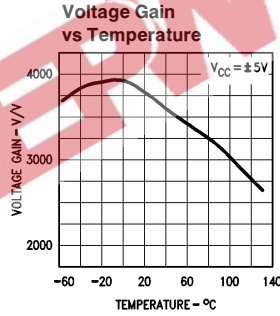
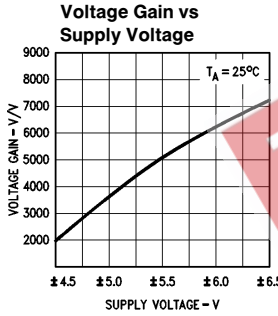
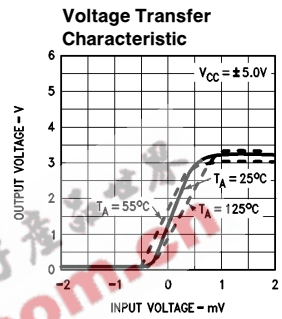
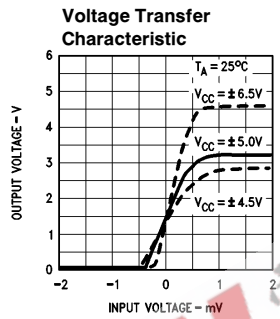
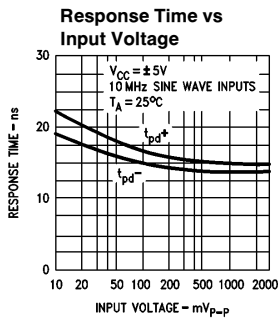
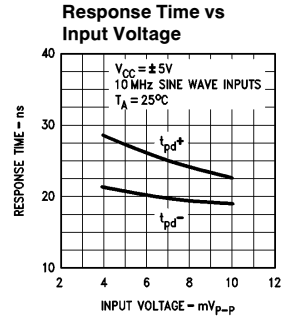
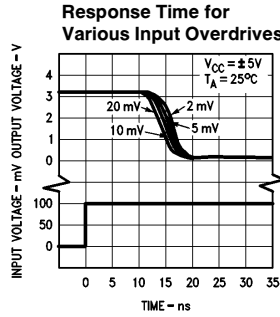
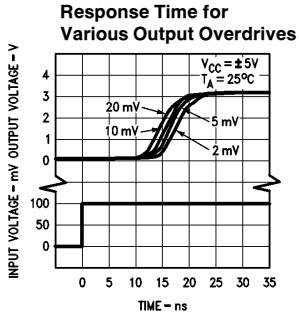
Note 2: Ratings apply to ambient temperature at $25^\circ C$.

Note 3: Response time measured from the 50% point of a 30 mV_{p-p} 10 MHz sinusoidal input to the 50% point of the output.

Note 4: Response time measured from the 50% point of a 2.0 V_{p-p} 10 MHz sinusoidal input to the 50% point of the output.

Note 5: Response time measured from the start of a 100 mV input step with 5.0 mV overdrive to the time when the output crosses the logic threshold.

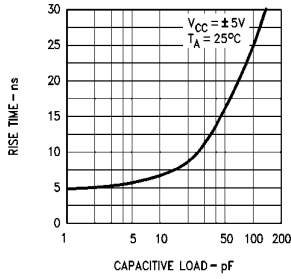
Typical Performance Characteristics



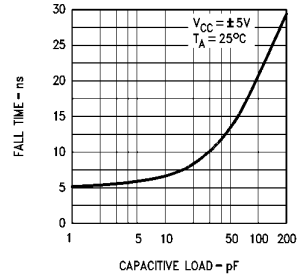
TL/H/10067-5

Typical Performance Characteristics (Continued)

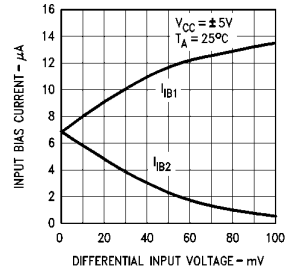
Rise Time vs Capacitive Load



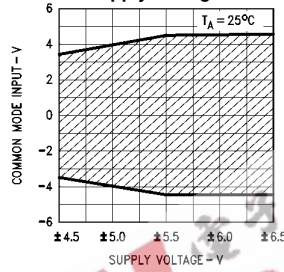
Fall Time vs Capacitive Load



Input Bias Current vs Differential Input Voltage

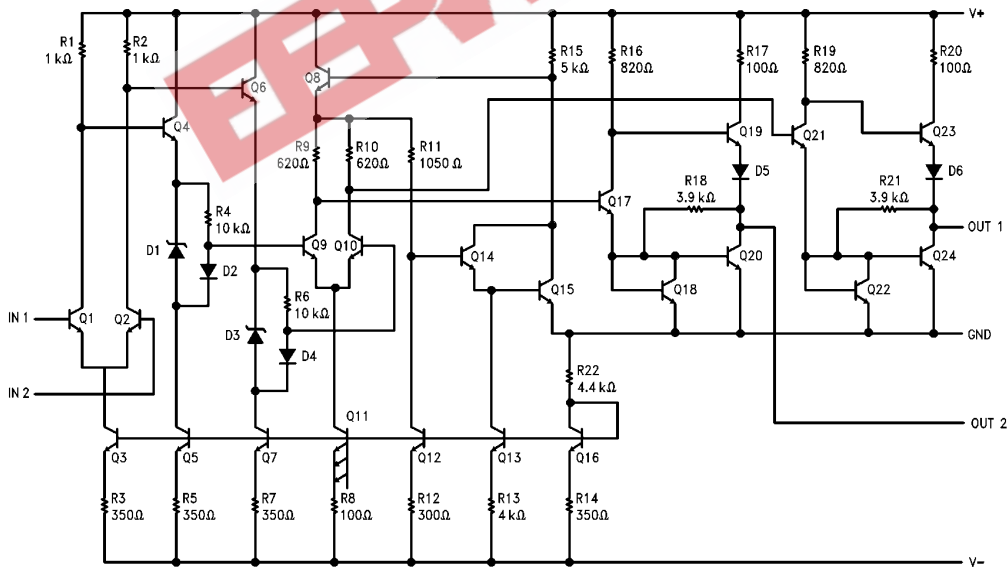


Common Mode Range vs Supply Voltage



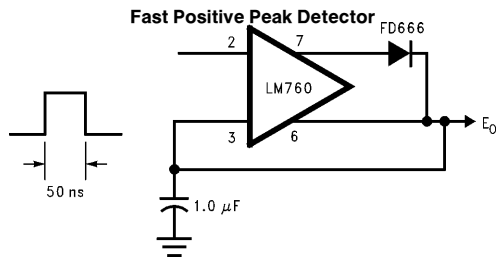
TL/H/10067-6

Equivalent Circuit

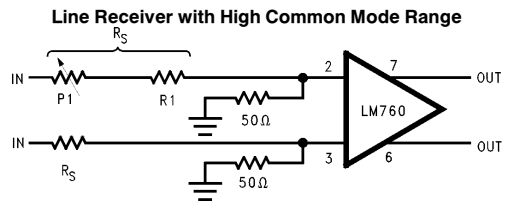


TL/H/10067-4

Typical Applications (Note 1)



TL/H/10067-7



TL/H/10067-10

$$\text{Common mode range} = \pm 4 \times \frac{R_S}{50} \text{ V}$$

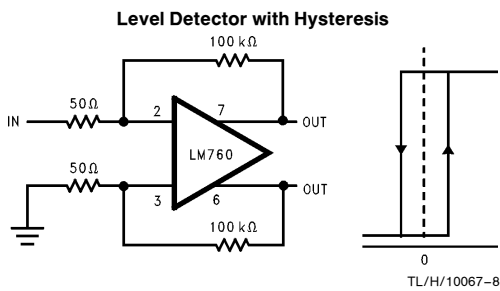
$$\text{Differential Input Sensitivity} = 5 \times \frac{R_S}{50} \text{ mV}$$

P₁ must be adjusted for optimum common mode rejection.

For R_S = 200Ω:

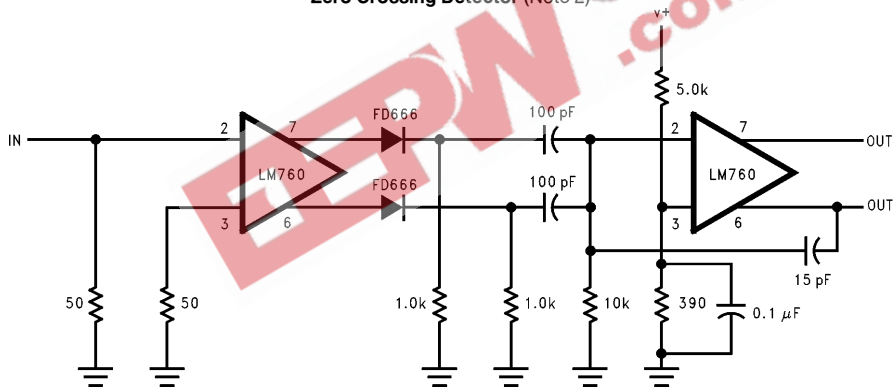
Common mode range = ±16V

Sensitivity = 20 mV



TL/H/10067-8

Zero Crossing Detector (Note 2)



TL/H/10067-9

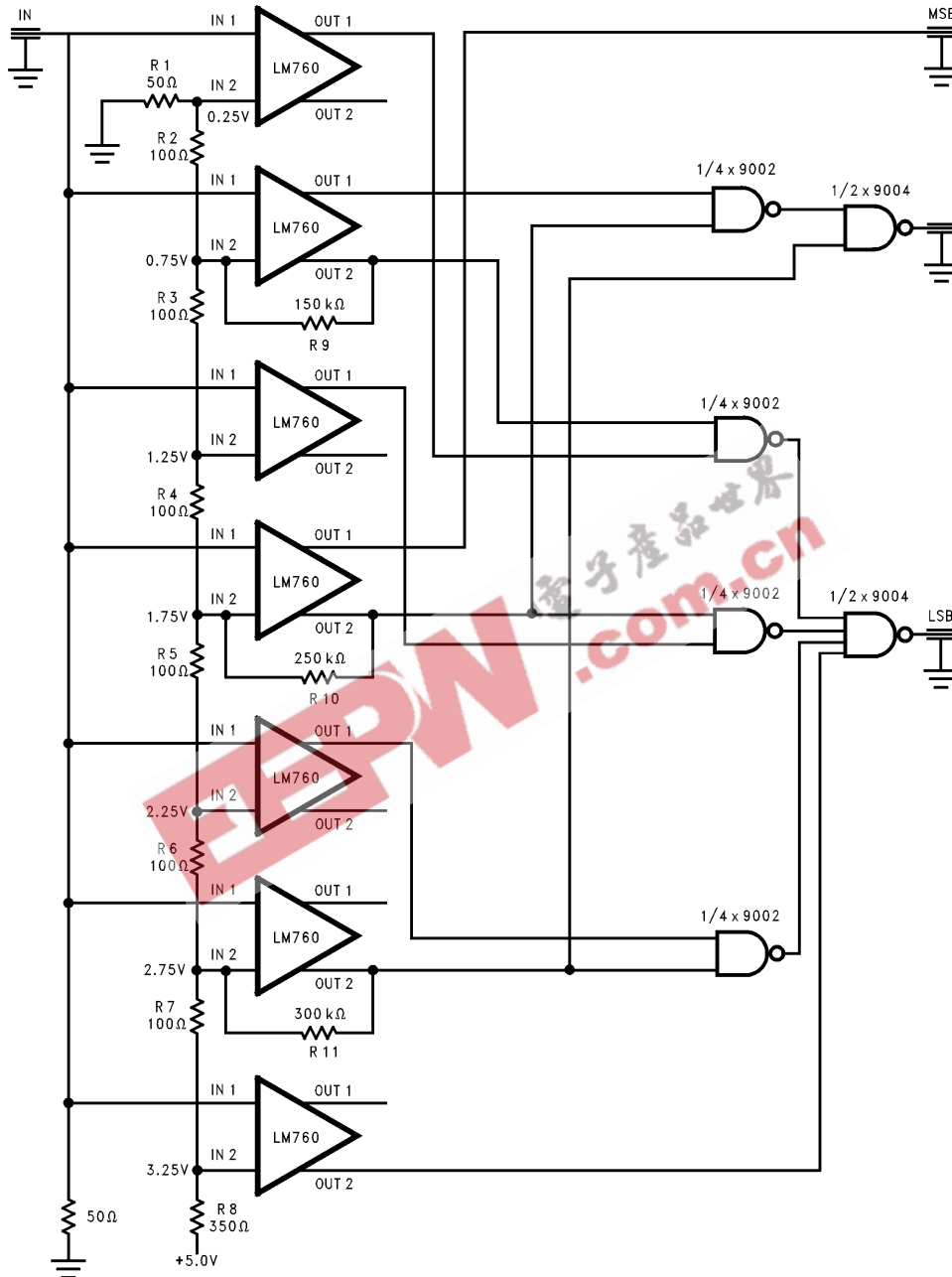
Total delay = 30 ns
 Input Frequency = 300 Hz to 3.0 MHz
 Minimum input voltage = 20 mV_{P-P}

Note 1: Lead numbers shown are for Metal Package only.

Note 2: All resistor values in ohms.

Typical Applications (Note 1) (Continued)

High Speed 3-Bit A/D Converter

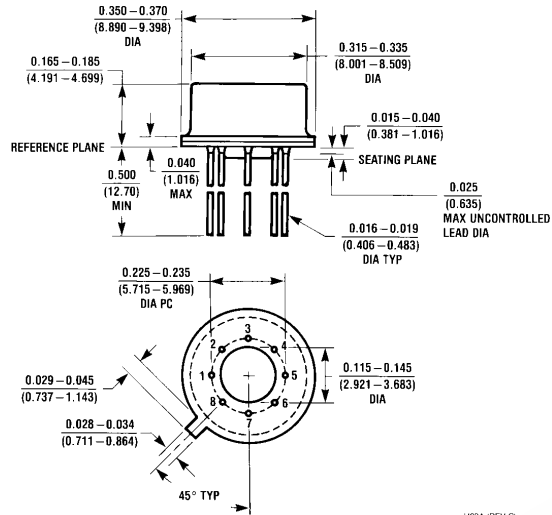


Input voltage range = 3.5V
 Typical conversion speed = 30 ns

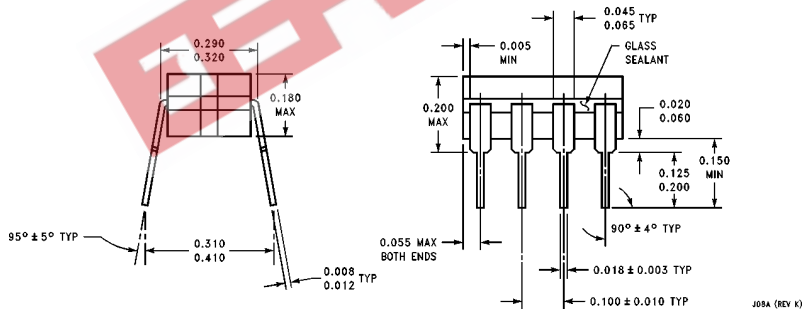
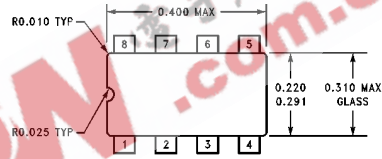
TL/H/10067-11

EEPW 电子产品世界
.com.cn

Physical Dimensions inches (millimeters)



8-Lead Metal Can Package (H)
 Order Number LM760CH or LM760H
 NS Package Number H08A



8-Lead Ceramic Dual-In-Line Package (J)
 Order Number LM760CJ or LM760J
 NS Package Number J08A

