

## LM760 High Speed Differential Comparator

### General Description

The LM760 is a differential voltage comparator offering considerable speed improvement over the LM710 family and operates from symmetric supplies of  $\pm 4.5\text{V}$  to  $\pm 6.5\text{V}$ . The LM760 can be used in high speed analog-to-digital conversion systems and as a zero crossing detector in disc file and tape amplifiers. The LM760 output features balanced rise and fall times for minimum skew and close matching between the complementary outputs. The outputs are TTL compatible with a minimum sink capability of two gate loads.

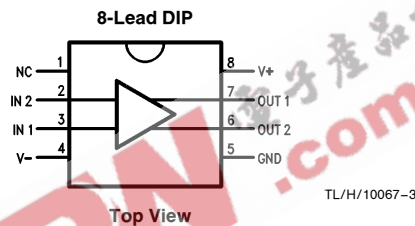
### Features

- Guaranteed high speed— 25 ns response time
- Guaranteed delay matching on both outputs
- Complementary TTL compatible outputs
- High sensitivity
- Standard supply voltages

### Applications

- High speed A-to-D
- Peak or zero detector

### Connection Diagram



### Ordering Information

Temperature Range Commercial 0°C to +70°C	Package Type	NSC Package Drawing
LM760CN	8-lead Plastic DIP	N08E

## Absolute Maximum Ratings

If Military/Aerospace specified devices are required, please contact the National Semiconductor Sales Office/Distributors for availability and specifications.

Storage Temperature Range		
Metal Can and Ceramic DIP	-65°C to +175°C	
Molded DIP	-65°C to +150°C	
Operating Temperature Range		
Military (LM760)	-55°C to +125°C	
Commercial (LM760C)	0°C to +70°C	
Lead Temperature		
Metal Can and Ceramic DIP		
(Soldering, 60 sec.)	300°C	
Molded DIP (Soldering, 10 sec.)	265°C	

Positive Supply Voltage	+8.0V
Negative Supply Voltage	-8.0V
Peak Output Current	10 mA
Differential Input Voltage	±5.0V
Input Voltage	$V^+ \geq V_I \geq V^-$
ESD Susceptibility	TBD

## LM760

### Electrical Characteristics

$V_{CC} = \pm 4.5V$  to  $\pm 6.5V$ ,  $T_A = -55^\circ C$  to  $+125^\circ C$ ,  $T_A = 25^\circ C$  for typical figures, unless otherwise specified

Symbol	Parameter	Conditions	Min	Typ	Max	Units
$V_{IO}$	Input Offset Voltage	$R_S \leq 200\Omega$		1.0	6.0	mV
$I_{IO}$	Input Offset Current			0.5	7.5	$\mu A$
$I_{IB}$	Input Bias Current			8.0	60	$\mu A$
$R_O$	Output Resistance (Either Output)	$V_O = V_{OH}$		100		$\Omega$
$t_{PD}$	Response Time	$T_A = 25^\circ C$ (Note 3)		18	30	ns
		$T_A = 25^\circ C$ (Note 4)			25	
		(Note 5)		16		
$\Delta t_{PD}$	Response Time Difference between Outputs (Note 1) ( $t_{PD}$ of $+V_{I1}$ ) - ( $t_{PD}$ of $-V_{I2}$ )	$T_A = 25^\circ C$			5.0	ns
		$T_A = 25^\circ C$			5.0	
		$T_A = 25^\circ C$			7.5	
		$T_A = 25^\circ C$			7.5	
$R_I$	Input Resistance	$f = 1.0$ MHz		12		k $\Omega$
$C_I$	Input Capacitance	$f = 1.0$ MHz		8.0		pF
$\Delta V_{IO}/\Delta T$	Average Temperature Coefficient of Input Offset Voltage	$R_S = 50\Omega$ , $T_A = -55^\circ C$ to $+125^\circ C$		3.0		$\mu V/^\circ C$
$\Delta I_{IO}/\Delta T$	Average Temperature Coefficient of Input Offset Current	$T_A = +25^\circ C$ to $+125^\circ C$		2.0		nA/ $^\circ C$
		$T_A = +25^\circ C$ to $-55^\circ C$		7.0		
$V_{IR}$	Input Voltage Range	$V_{CC} = \pm 6.5V$	±4.0	±4.5		V
$V_{IDR}$	Differential Input Voltage Range			±5.0		V
$V_{OH}$	Output Voltage HIGH (Either Output)	$0\text{ mA} \leq I_{OH} \leq 5.0\text{ mA}$ $V_{CC} = +5.0V$	2.4	3.2		V
		$I_{OH} = 80\ \mu A$ , $V_{CC} = \pm 4.5V$	2.4	3.0		
$V_{OL}$	Output Voltage LOW (Either Output)	$I_{OL} = 3.2\text{ mA}$		0.25	0.4	V
$I^+$	Positive Supply Current	$V_{CC} = \pm 6.5V$		18	32	mA
$I^-$	Negative Supply Current	$V_{CC} = \pm 6.5V$		9.0	16	mA

## LM760C

### Electrical Characteristics

$V_{CC} = \pm 4.5V$  to  $\pm 6.5V$ ,  $T_A = 0^\circ C$  to  $+70^\circ C$ ,  $T_A = 25^\circ C$  for typical figures, unless otherwise specified

Symbol	Parameter	Conditions	Min	Typ	Max	Units
$V_{IO}$	Input Offset Voltage	$R_S \leq 200\Omega$		1.0	6.0	mV
$I_{IO}$	Input Offset Current			0.5	7.5	$\mu A$
$I_{IB}$	Input Bias Current			8.0	60	$\mu A$
$R_O$	Output Resistance (Either Output)	$V_O = V_{OH}$		100		$\Omega$
$t_{PD}$	Response Time	$T_A = 25^\circ C$ (Note 3)		18	30	ns
		$T_A = 25^\circ C$ (Note 4)			25	
		(Note 5)		16		
$\Delta t_{PD}$	Response Time Difference between Outputs (Note 1) ( $t_{PD}$ of $+V_{I1}$ ) - ( $t_{PD}$ of $-V_{I2}$ )	$T_A = 25^\circ C$			5.0	ns
		$T_A = 25^\circ C$			5.0	
		$T_A = 25^\circ C$			10	
		$T_A = 25^\circ C$			10	
$R_I$	Input Resistance	$f = 1.0$ MHz		12		k $\Omega$
$C_I$	Input Capacitance	$f = 1.0$ MHz		8.0		pF
$\Delta V_{IO}/\Delta T$	Average Temperature Coefficient of Input Offset Voltage	$R_S = 50\Omega$ , $T_A = 0^\circ C$ to $+70^\circ C$		3.0		$\mu V/^\circ C$
$\Delta I_{IO}/\Delta T$	Average Temperature Coefficient of Input Offset Current	$T_A = +25^\circ C$ to $+70^\circ C$		5.0		nA/ $^\circ C$
		$T_A = +25^\circ C$ to $0^\circ C$		10		
$V_{IR}$	Input Voltage Range	$V_{CC} = \pm 6.5V$	$\pm 4.0$	$\pm 4.5$		V
$V_{IDR}$	Differential Input Voltage Range			$\pm 5.0$		V
$V_{OH}$	Output Voltage HIGH (Either Output)	$0$ mA $\leq I_{OH} \leq 5.0$ mA $V_{CC} = +5.0V$	2.4	3.2		V
		$I_{OH} = 80$ $\mu A$ , $V_{CC} = \pm 4.5V$	2.5	3.0		
$V_{OL}$	Output Voltage LOW (Either Output)	$I_{OL} = 3.2$ mA		0.25	0.4	V
$I^+$	Positive Supply Current	$V_{CC} = \pm 6.5V$		18	34	mA
$I^-$	Negative Supply Current	$V_{CC} = \pm 6.5V$		9.0	16	mA

**Note 1:**  $T_{J\ Max} = 150^\circ C$ .

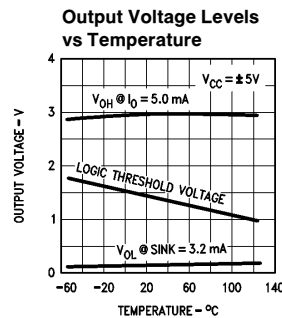
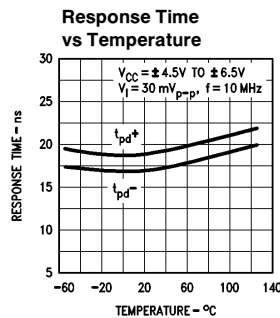
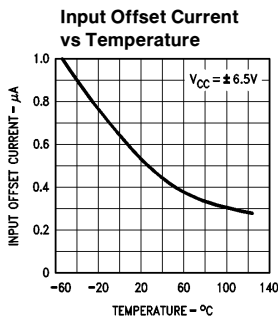
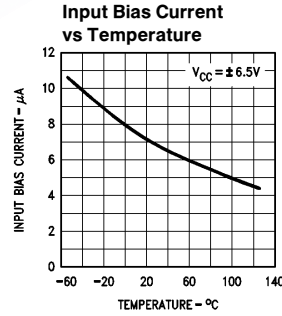
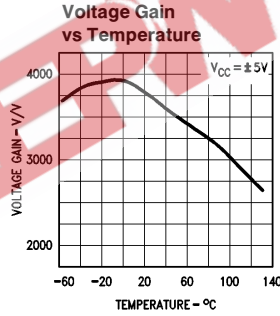
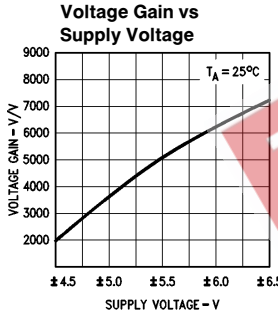
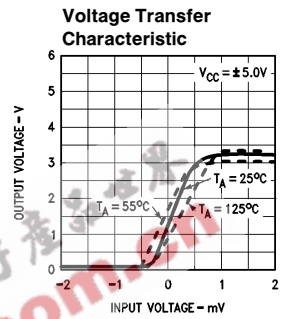
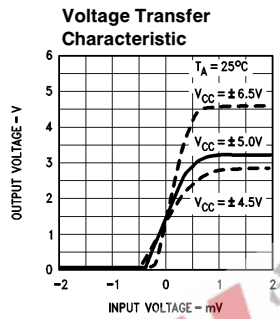
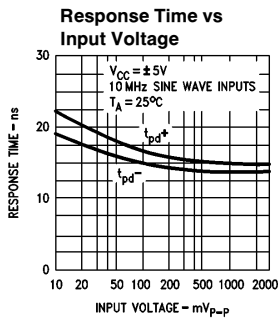
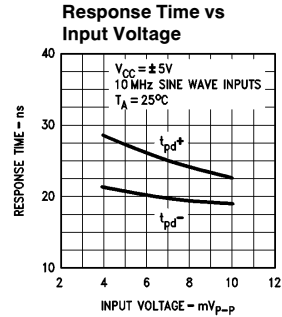
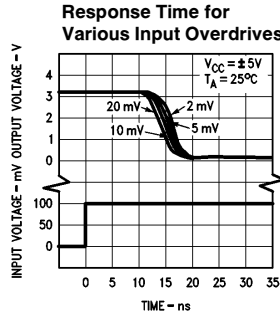
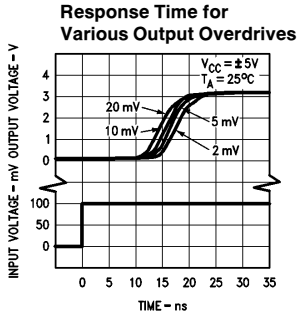
**Note 2:** Ratings apply to ambient temperature at  $25^\circ C$ .

**Note 3:** Response time measured from the 50% point of a 30 mV<sub>p-p</sub> 10 MHz sinusoidal input to the 50% point of the output.

**Note 4:** Response time measured from the 50% point of a 2.0 V<sub>p-p</sub> 10 MHz sinusoidal input to the 50% point of the output.

**Note 5:** Response time measured from the start of a 100 mV input step with 5.0 mV overdrive to the time when the output crosses the logic threshold.

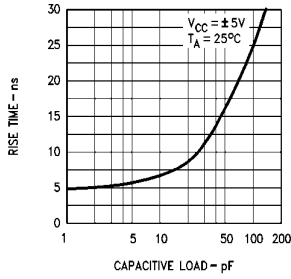
# Typical Performance Characteristics



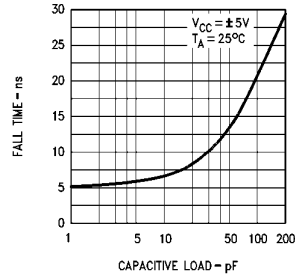
TL/H/10067-5

## Typical Performance Characteristics (Continued)

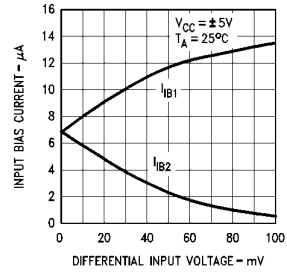
**Rise Time vs Capacitive Load**



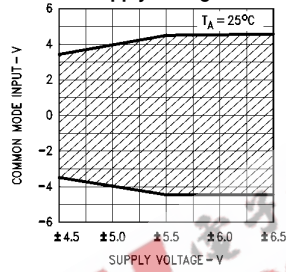
**Fall Time vs Capacitive Load**



**Input Bias Current vs Differential Input Voltage**

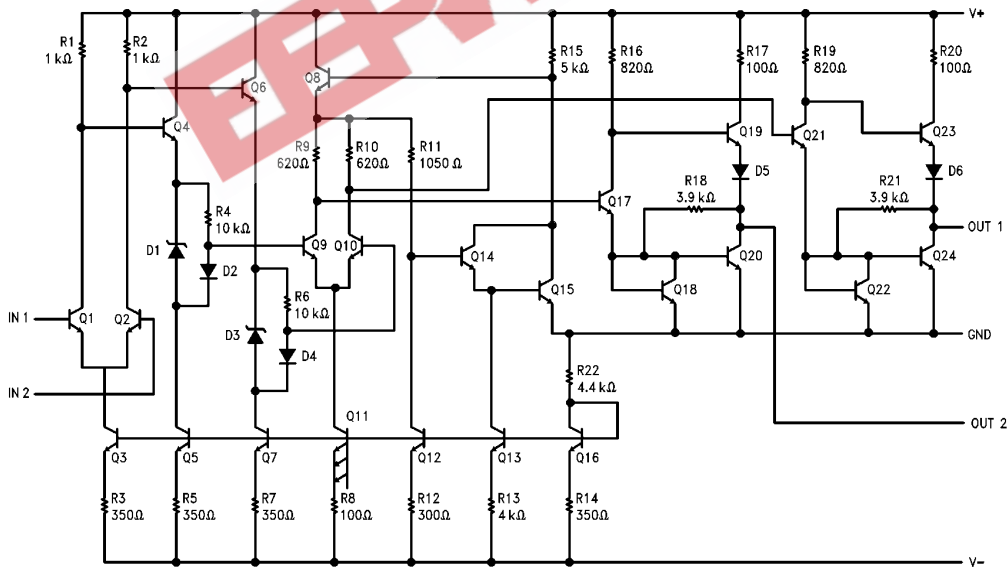


**Common Mode Range vs Supply Voltage**



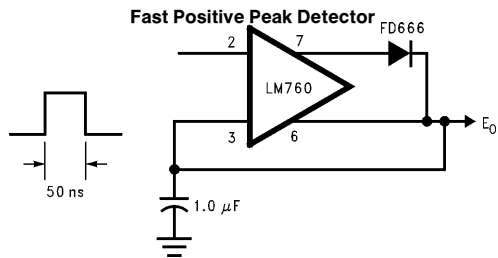
TL/H/10067-6

## Equivalent Circuit

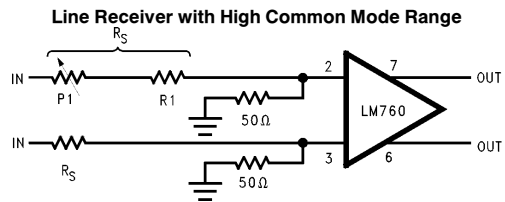


TL/H/10067-4

## Typical Applications (Note 1)



TL/H/10067-7



TL/H/10067-10

$$\text{Common mode range} = \pm 4 \times \frac{R_S}{50} \text{ V}$$

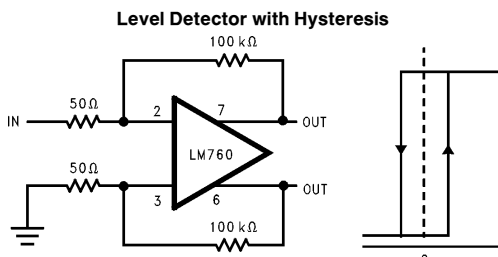
$$\text{Differential Input Sensitivity} = 5 \times \frac{R_S}{50} \text{ mV}$$

$P_1$  must be adjusted for optimum common mode rejection.

For  $R_S = 200 \Omega$ :

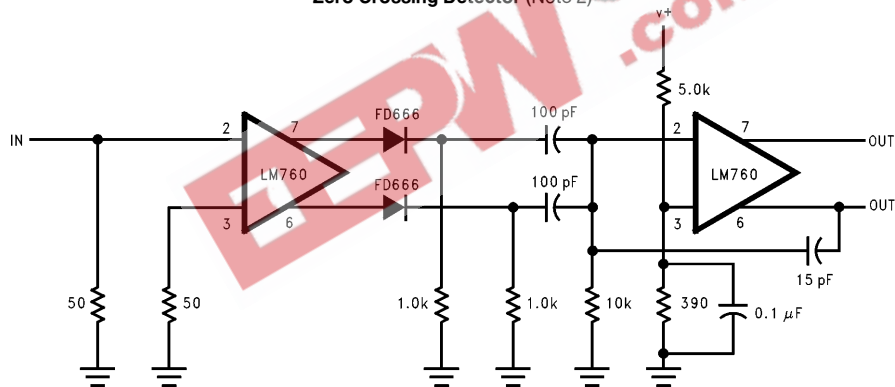
Common mode range =  $\pm 16 \text{ V}$

Sensitivity = 20 mV



TL/H/10067-8

## Zero Crossing Detector (Note 2)



TL/H/10067-9

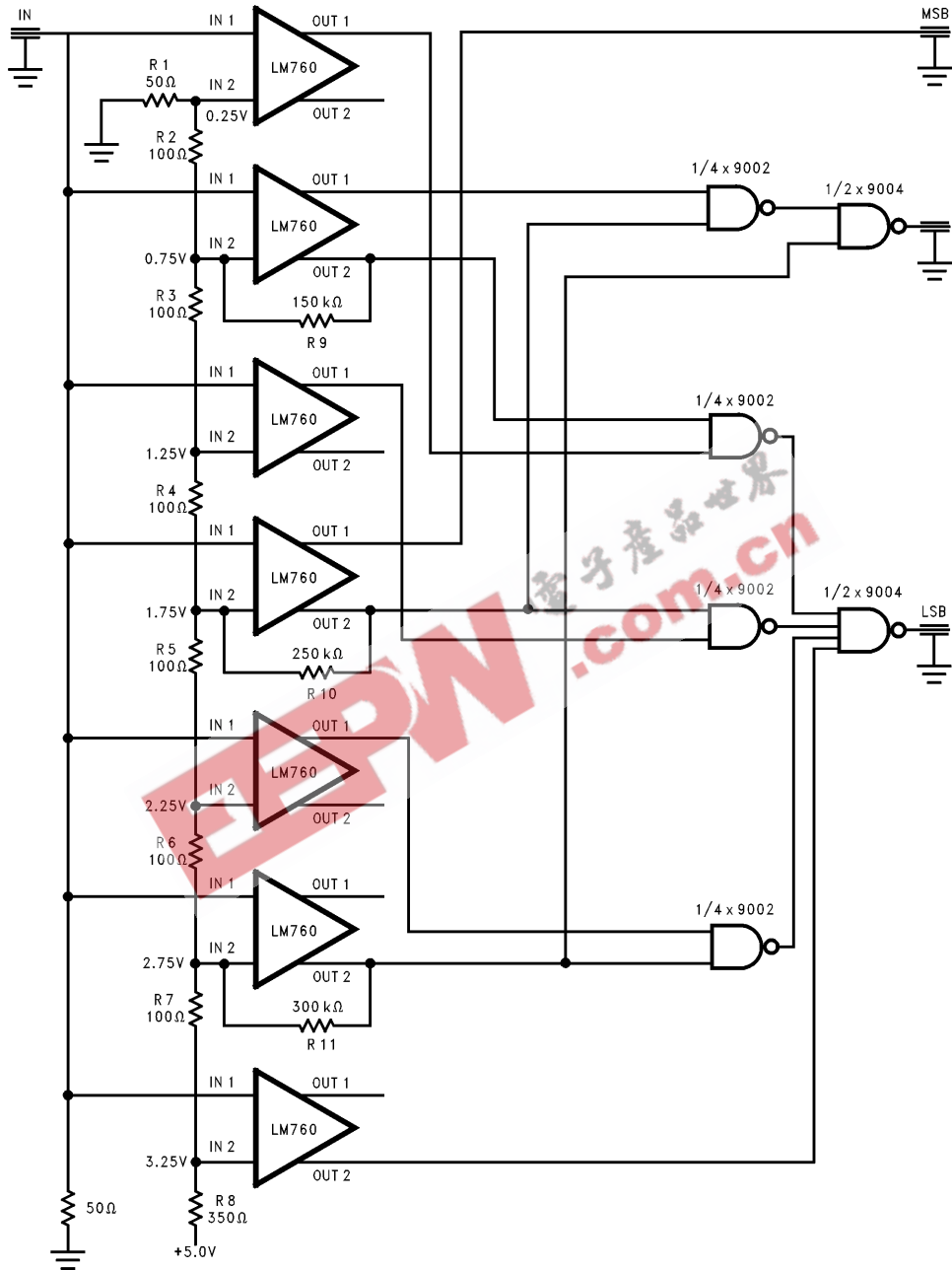
Total delay = 30 ns  
 Input Frequency = 300 Hz to 3.0 MHz  
 Minimum input voltage = 20 mV<sub>P-P</sub>

**Note 1:** Lead numbers shown are for Metal Package only.

**Note 2:** All resistor values in ohms.

Typical Applications (Note 1) (Continued)

High Speed 3-Bit A/D Converter



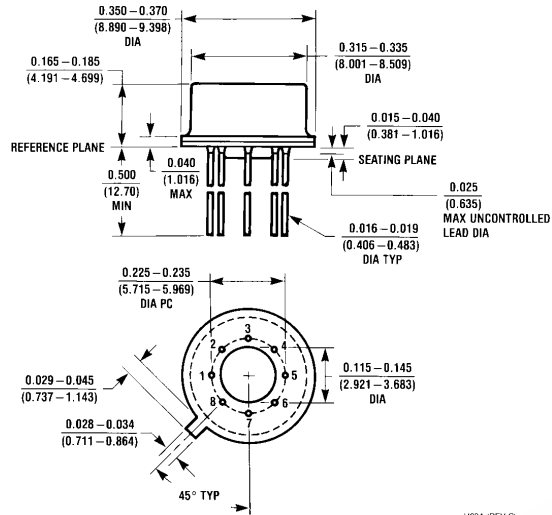
Input voltage range = 3.5V  
 Typical conversion speed = 30 ns

TL/H/10067-11

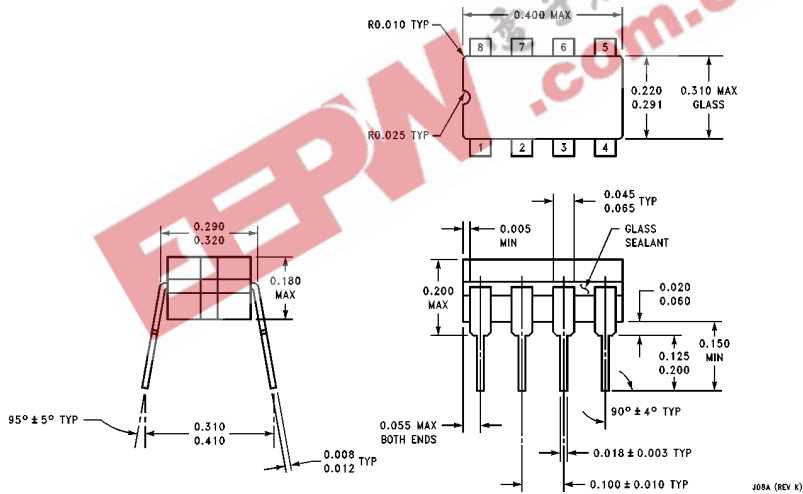
EEPW 电子产品世界  
.com.cn



**Physical Dimensions** inches (millimeters)

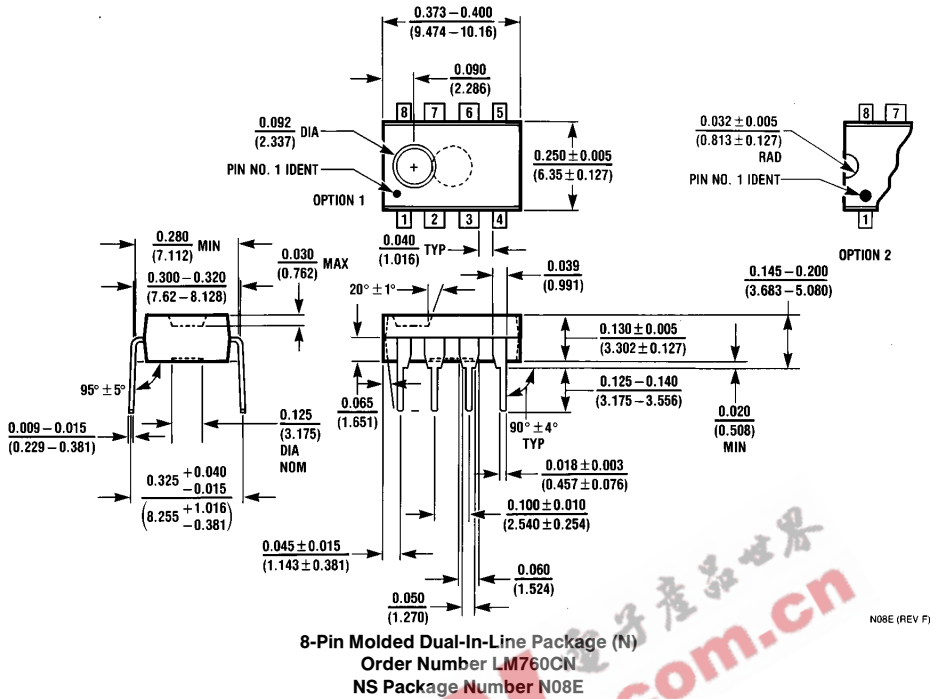


**8-Lead Metal Can Package (H)**  
 Order Number LM760CH or LM760H  
 NS Package Number H08A



**8-Lead Ceramic Dual-In-Line Package (J)**  
 Order Number LM760CJ or LM760J  
 NS Package Number J08A

**Physical Dimensions** inches (millimeters) (Continued)



**LIFE SUPPORT POLICY**

NATIONAL'S PRODUCTS ARE NOT AUTHORIZED FOR USE AS CRITICAL COMPONENTS IN LIFE SUPPORT DEVICES OR SYSTEMS WITHOUT THE EXPRESS WRITTEN APPROVAL OF THE PRESIDENT OF NATIONAL SEMICONDUCTOR CORPORATION. As used herein:

1. Life support devices or systems are devices or systems which, (a) are intended for surgical implant into the body, or (b) support or sustain life, and whose failure to perform, when properly used in accordance with instructions for use provided in the labeling, can be reasonably expected to result in a significant injury to the user.
2. A critical component is any component of a life support device or system whose failure to perform can be reasonably expected to cause the failure of the life support device or system, or to affect its safety or effectiveness.



**National Semiconductor Corporation**  
 1111 West Bardin Road  
 Arlington, TX 76017  
 Tel: 1(800) 272-9959  
 Fax: 1(800) 737-7018

**National Semiconductor Europe**  
 Fax: (+49) 0-180-530 85 86  
 Email: cnjwge@levm2.nsc.com  
 Deutsch Tel: (+49) 0-180-530 85 85  
 English Tel: (+49) 0-180-532 78 32  
 Français Tel: (+49) 0-180-532 93 58  
 Italiano Tel: (+49) 0-180-534 16 80

**National Semiconductor Hong Kong Ltd.**  
 13th Floor, Straight Block,  
 Ocean Centre, 5 Canton Rd.  
 Tsimshatsui, Kowloon  
 Hong Kong  
 Tel: (852) 2737-1600  
 Fax: (852) 2736-9960

**National Semiconductor Japan Ltd.**  
 Tel: 81-043-299-2309  
 Fax: 81-043-299-2408