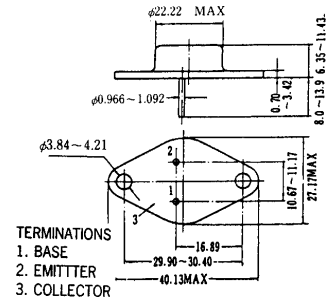


Features

- Output current in excess of 1A
- Internal thermal overload protection
- No external components required
- Output transistor safe area protection
- Internal short circuit current limit
- Available in the aluminum TO-3 package



Absolute Maximum Ratings

Parameters	SYMPOL	Values		UNITS
		MIN	MAX	
Input Voltage	VIN		35	V
Power Dissipation	PD		5	W
Operating Temperature Range		-20	80	°C
Storage Temperature Range		-55	150	°C

ELECTRICAL CHARACTERISTICS

Parameter and Conditions	Values			UNIT
	MIN	TYP	MAX	
Output Voltage VIN = 14.5-27V Io = 5mA-1.0A PD \leq 15W	11.4	12	12.6	V
Line Regulation VIN = 14.5-30V Io = 500mA				mV
Load Regulation Io = 5mA-1.5A VIN = 19V			0	mV
Input Voltage			35	V
Ripple Rejection f = 100Hz VIN = 12V Io = 100mA VIPP = 4V	62			dB
Maximum Output Current		1.5		A
Average TC of VOUT Io = 5mA Tj = 0-125°C		-0.3		mV/°C
Output Noise Voltage f = 10Hz-100kHz		40		μ V